

# 7A Digital PicoDLynxII™: Non-Isolated DC-DC Power Modules

4.5Vdc –14.4Vdc input; 0.51Vdc to 5.5Vdc output; 7A Output Current



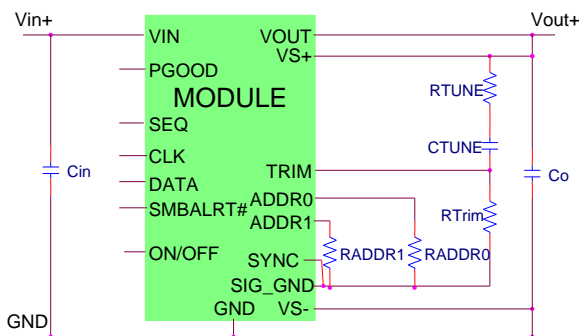
## RoHS Compliant

### Applications

- Distributed power architectures
- Intermediate bus voltage applications
- Telecommunications equipment
- Servers and storage applications
- Networking equipment
- Industrial equipment

### Features

- Compliant to RoHS Directive 2011/65/EU and amended Directive (EU) 2015/863
- Compliant to REACH Directive (EC) No 1907/2006
- Compatible in a Pb-free or SnPb reflow environment (Z versions)
- Compliant to IPC-9592 (September 2008), Category 2, Class II
- Compliant to REACH Directive (EC) No 1907/2006
- DOSA based
- Wide Input voltage range (4.5Vdc-14.4Vdc)
- Output voltage programmable from 0.51Vdc to 5.5Vdc via external resistor and PMBus™ #
- Digital interface through the PMBus™ # protocol
- Tunable Loop™ to optimize dynamic output voltage response
- Flexible output voltage sequencing EZ-SEQUENCE
- Power Good signal
- Fixed switching frequency with capability of external synchronization
- Output over current protection (non-latching)
- Over temperature protection
- Remote On/Off
- Ability to sink and source current
- Cost efficient open frame design
- Small size: 12.2 mm x 12.2 mm x 7.5 mm (0.48 in x 0.48 in x 0.295 in)
- Wide operating temperature range [-40°C to 85°C: Std; -40°C to 105°C: Ruggedized]
- UL\* 60950-1 2<sup>nd</sup> Ed. Recognized, CSA† C22.2 No. 60950-1-07 Certified, and VDE‡ (EN60950-1 2<sup>nd</sup> Ed.) Licensed
- ISO\*\* 9001 and ISO 14001 certified manufacturing facilities



### Description

The 7A Digital PicoDLynxII™ power modules are non-isolated dc-dc converters that can deliver up to 7A of output current. These modules operate over a wide range of input voltage ( $V_{IN} = 4.5Vdc-14.4Vdc$ ) and provide a precisely regulated output voltage from 0.51Vdc to 5.5Vdc, programmable via an external resistor and PMBus™ control. Features include a digital interface using the PMBus™ protocol, remote On/Off, adjustable output voltage, over current and over temperature protection. The PMBus™ # interface supports a range of commands to both control and monitor the module. The module also includes the Tunable Loop™ feature that allows the user to optimize the dynamic response of the converter to match the load with reduced amount of output capacitance leading to savings on cost and PWB area.

\* UL is a registered trademark of Underwriters Laboratories, Inc.  
 † CSA is a registered trademark of Canadian Standards Association.  
 ‡ VDE is a trademark of Verband Deutscher Elektrotechniker e.V.  
 \*\* ISO is a registered trademark of the International Organization of Standards  
 # The PMBus name and logo are registered trademarks of the System Management Interface Forum (SMIF)



# 7A Digital PicoDlynxII™: Non-Isolated DC-DC Power Modules

4.5Vdc –14.4Vdc input; 0.51Vdc to 5.5Vdc output; 7A Output Current

## Absolute Maximum Ratings

Stresses in excess of the absolute maximum ratings can cause permanent damage to the device. These are absolute stress ratings only, functional operation of the device is not implied at these or any other conditions in excess of those given in the operations sections of the data sheet. Exposure to absolute maximum ratings for extended periods can adversely affect the device reliability.

| Parameter   | Device | Symbol         | Min  | Max | Unit |
|---|--------|----------------|------|-----|------|
| Input Voltage<br>Continuous   | All    | $V_{IN}$       | -0.3 | 15  | V    |
| VS, SMBALERT#, SEQ  | All    |                | -0.3 | 7   | V    |
| CLK, DATA, SYNC   | All    |                |      | 3.6 | V    |
| Operating Ambient Temperature<br>(see Thermal Considerations section) | All    | $T_A$ STANDARD | -40  | 85  | °C   |
|   |        | RUGGEDIZED     | -40  | 105 |      |
| Storage Temperature   | All    | $T_{stg}$      | -55  | 125 | °C   |

## Electrical Specifications

Unless otherwise indicated, specifications apply over all operating input voltage, resistive load, and temperature conditions.

| Parameter   | Device                                | Symbol            | Min  | Typ | Max  | Unit              |
|---|---------------------------------------|-------------------|------|-----|------|-------------------|
| Operating Input Voltage   | All                                   | $V_{IN}$          | 4.5  | —   | 14.4 | Vdc               |
| Maximum Input Current<br>( $V_{IN}=4.5V$ to $14V$ , $I_o=I_{o,max}$ )   | All                                   | $I_{IN,max}$      |      |     | 7    | Adc               |
| Input No Load Current<br>( $V_{IN} = 12Vdc$ , $I_o = 0$ , module enabled)   | $V_{o,set} = 0.6 Vdc$                 | $I_{IN,No load}$  |      | 29  |      | mA                |
|   | $V_{o,set} = 5.5Vdc$                  | $I_{IN,No load}$  |      | 60  |      | mA                |
| Input Stand-by Current<br>( $V_{IN} = 12Vdc$ , module disabled)   | All                                   | $I_{IN,stand-by}$ |      | 16  |      | mA                |
| Inrush Transient  | All                                   | $I^2t$            |      |     | 1    | A <sup>2</sup> s  |
| Input Reflected Ripple Current, peak-to-peak<br>(5Hz to 20MHz, 1μH source impedance; $V_{IN} = 4.5$ to $14V$ , $I_o=I_{o,max}$ ; See Test Configurations) | All                                   |                   |      | 20  |      | mA <sub>p-p</sub> |
| Input Ripple Rejection (120Hz)  | All                                   |                   |      | -76 |      | dB                |
| Output Voltage Set-point accuracy over entire output range<br>0 to 85°C, $V_o=$ over entire range<br>-40 to 85°C, $V_o=$ over entire range                | All                                   | $V_{o,set}$       | -0.5 |     | +0.5 | % $V_{o,set}$     |
|   | All                                   | $V_{o,set}$       | -1   |     | +1   | % $V_{o,set}$     |
| Voltage Regulation <sup>1</sup>   |                                       |                   |      |     |      |                   |
| Line Regulation   | $(V_{IN}=V_{IN,min}$ to $V_{IN,max})$ |                   |      | 5   |      | mV                |
|   | $(1.2V_{IN}±20\%)$                    |                   |      | 2   |      | mV                |
| Load ( $I_o=I_{o,min}$ to $I_{o,max}$ ) Regulation  | All                                   |                   |      | 6   |      | mV                |
|   | $≤1.2V_{out}$                         |                   |      | 1   |      | mV                |

<sup>1</sup>Worst case Line and load regulation data, all temperatures, from design verification testing as per IPC9592.

## 7A Digital PicoDlynxII™: Non-Isolated DC-DC Power Modules

4.5Vdc –14.4Vdc input; 0.51Vdc to 5.5Vdc output; 7A Output Current

## Electrical Specifications (continued)

| Parameter   | Device   | Symbol   | Min                  | Typ  | Max                  | Unit                          |
|---|--|--|----------------------|--|----------------------|-------------------------------|
| Adjustment Range (selected by an external resistor)<br>(Some output voltages may not be possible depending on the input voltage – see Feature Descriptions Section)   | All  | $V_o$  | 0.6                  |  | 5.5                  | Vdc                           |
| PMBus Adjustable Output Voltage Range   | All  | $V_{o,adj}$  | -15                  | 0  | +10                  | % $V_{o,set}$                 |
| PMBus Output Voltage Adjustment Step Size   | All  |  |                      | 0.4  |                      | % $V_{o,set}$                 |
| Remote Sense Range  | All  |  |                      |  | 0.5                  | Vdc                           |
| Output Ripple and Noise on nominal output<br>( $V_{IN}=V_{IN, nom}$ and $I_o=I_{o, min}$ to $I_{o, max}$ $C_o = 0.1\mu F // 3 \times 22 \mu F$ ceramic capacitors)<br>Peak-to-Peak (5Hz to 20MHz bandwidth)<br>RMS (5Hz to 20MHz bandwidth) | All<br>All   |  | —                    | 17<br>5  |                      | $mV_{pk-pk}$<br>$mV_{rms}$    |
| External Capacitance <sup>2</sup><br>Without the Tunable Loop™<br>ESR $\geq 1 m\Omega$<br>With the Tunable Loop™<br>ESR $\geq 0.15 m\Omega$<br>ESR $\geq 10 m\Omega$  | All<br>All<br>All  | $C_{o, max}$<br>$C_{o, max}$<br>$C_{o, max}$             | 3x22<br>3x22<br>3x22 | —<br>—<br>—                                      | 7x22<br>1000<br>5000 | $\mu F$<br>$\mu F$<br>$\mu F$ |
| Output Current (in either sink or source mode)  | All  | $I_o$  | 0                    |  | 7                    | A <sub>dc</sub>               |
| Output Current Limit Inception (Hiccup Mode)<br>(current limit does not operate in sink mode)   | All  | $I_{o, lim}$   |                      | 125  |                      | % $I_{o, max}$                |
| Output Short-Circuit Current<br>( $V_o \leq 250mV$ ) ( Hiccup Mode )  | All  | $I_{o, s/c}$   |                      | 3.9  |                      | A <sub>rms</sub>              |
| Efficiency<br>$V_{IN} = 12Vdc$ , $T_A = 25^\circ C$<br>$I_o = I_{o, max}$ , $V_o = V_{o, set}$  | $V_{o, set} = 0.6Vdc$<br>$V_{o, set} = 1.2Vdc$<br>$V_{o, set} = 1.8Vdc$<br>$V_{o, set} = 2.5Vdc$<br>$V_{o, set} = 3.3Vdc$<br>$V_{o, set} = 5.0Vdc$ | $\eta$<br>$\eta$<br>$\eta$<br>$\eta$<br>$\eta$<br>$\eta$ |                      | 78.6%<br>87.7%<br>91.2%<br>93.2%<br>94.6%<br>96% |                      | %<br>%<br>%<br>%<br>%<br>%    |
| Switching Frequency   | All  | $f_{sw}$   |                      | 500  |                      | kHz                           |

<sup>2</sup> External capacitors may require using the new Tunable Loop™ feature to ensure that the module is stable as well as getting the best transient response. See the Tunable Loop™ section for details.

## 7A Digital PicoDLynxII™: Non-Isolated DC-DC Power Modules

4.5Vdc –14.4Vdc input; 0.51Vdc to 5.5Vdc output; 7A Output Current

## Electrical Specifications (continued)

| Parameter  | Device | Symbol                | Min | Typ  | Max  | Unit |
|--|--------|-----------------------|-----|------|------|------|
| Frequency Synchronization  | All    |                       |     |      |      |      |
| Synchronization Frequency Range ( $2 \times f_{\text{switch}}$ ) | All    |                       | 950 | 1000 | 1050 | kHz  |
| High-Level Input Voltage   | All    | $V_{IH}$              | 2   |      |      | V    |
| Low-Level Input Voltage  | All    | $V_{IL}$              |     |      | 0.4  | V    |
| Minimum Pulse Width, SYNC  | All    | $t_{\text{SYNC}}$     | 100 |      |      | ns   |
| Maximum SYNC rise time   | All    | $t_{\text{SYNC\_SH}}$ | 100 |      |      | ns   |

## General Specifications

| Parameter  | Device | Min | Typ         | Max | Unit    |
|--|--------|-----|-------------|-----|---------|
| Calculated MTBF ( $I_o=0.8I_{o,max}$ , $T_A=40^\circ\text{C}$ ) Telecordia Issue 3 Method 1 Case 3 | All    |     | 81,291,063  |     | Hours   |
| Weight   |        |     | 2.2 (0.078) |     | g (oz.) |

## Feature Specifications

Unless otherwise indicated, specifications apply overall operating input voltage, resistive load, and temperature conditions. See Feature Descriptions for additional information.

| Parameter  | Device | Symbol   | Min  | Typ | Max | Unit          |
|--|--------|----------|------|-----|-----|---------------|
| On/Off Signal Interface<br>( $V_{IN}=V_{IN,min}$ to $V_{IN,max}$ ; open collector or equivalent,<br>Signal referenced to GND)<br>Device code with suffix "4" – Positive Logic (See Ordering Information) |        |          |      |     |     |               |
| Logic High (Module ON)   |        |          |      |     |     |               |
| Input High Current   | All    | $I_{IH}$ |      | —   | 17  | $\mu\text{A}$ |
| Input High Voltage   | All    | $V_{IH}$ | 2.1  | —   | 7   | V             |
| Logic Low (Module OFF)   |        |          |      |     |     |               |
| Input Low Current  | All    | $I_{IL}$ | —    | —   | 2   | $\mu\text{A}$ |
| Input Low Voltage  | All    | $V_{IL}$ | -0.2 | —   | 0.8 | V             |
| Device Code with no suffix – Negative Logic (See Ordering Information)<br>(On/OFF pin is open collector/drain logic input with external pull-up resistor; signal referenced to GND)                      |        |          |      |     |     |               |
| Logic High (Module OFF)  |        |          |      |     |     |               |
| Input High Current   | All    | $I_{IH}$ | —    | —   | 3   | mA            |
| Input High Voltage   | All    | $V_{IH}$ | 2.1  | —   | 7   | Vdc           |
| Logic Low (Module ON)  |        |          |      |     |     |               |
| Input low Current  | All    | $I_{IL}$ | —    | —   | 0.3 | mA            |
| Input Low Voltage  | All    | $V_{IL}$ | -0.2 | —   | 0.8 | Vdc           |

# 7A Digital PicoDlynxII™: Non-Isolated DC-DC Power Modules

4.5Vdc –14.4Vdc input; 0.51Vdc to 5.5Vdc output; 7A Output Current

## Feature Specifications (cont.)

| Parameter  | Device | Symbol          | Min | Typ    | Max | Units         |
|--|--------|-----------------|-----|--------|-----|---------------|
| Turn-On Delay and Rise Times   |        |                 |     |        |     |               |
| ( $V_{IN}=V_{IN,nom}$ , $I_o=I_{o,max}$ , $V_o$ to within $\pm 1\%$ of steady state)   |        |                 |     |        |     |               |
| Case 1: On/Off input is enabled and then input power is applied (delay from instant at which $V_{IN} = V_{IN,min}$ until $V_o = 10\%$ of $V_{o,set}$ )                         | All    | Tdelay          |     | 0.6    |     | msec          |
| Case 2: Input power is applied for at least one second and then the On/Off input is enabled (delay from instant at which On/Off is enabled until $V_o = 10\%$ of $V_{o,set}$ ) | All    | Tdelay          |     | 0.4    |     | msec          |
| Output voltage Rise time (time for $V_o$ to rise from 10% of $V_{o,set}$ to 90% of $V_{o,set}$ )   | All    | Trise           |     | 2.8    |     | msec          |
| Output voltage overshoot ( $T_A = 25^\circ C$<br>$V_{IN} = V_{IN,min}$ to $V_{IN,max}$ , $I_o = I_{o,min}$ to $I_{o,max}$ )<br>With or without maximum external capacitance    |        |                 |     |        | 3.0 | % $V_{o,set}$ |
| Over Temperature Protection<br>(See Thermal Considerations section)  | All    | $T_{ref+}$      |     |        |     | $^\circ C$    |
|  |        | $T_{ref-}$      |     |        |     | $^\circ C$    |
| PMBus Over Temperature Warning Threshold *   | All    | $T_{WARN}$      |     | 115    |     | $^\circ C$    |
| Tracking Accuracy<br>(Power-Up: 2V/ms)<br>(Power-Down: 2V/ms)  | All    | $V_{SEQ} - V_o$ |     |        | 100 | mV            |
|  | All    | $V_{SEQ} - V_o$ |     |        | 200 | mV            |
| ( $V_{IN,min}$ to $V_{IN,max}$ ; $I_{o,min}$ to $I_{o,max}$ $V_{SEQ} < V_o$ )  |        |                 |     |        |     |               |
| Input Undervoltage Lockout ( $V_{out} \leq 3.3V_o$ )   |        |                 |     |        |     |               |
| Turn-on Threshold  | All    |                 |     | 4.25   |     | Vdc           |
| Turn-off Threshold   | All    |                 |     | 4.05   |     | Vdc           |
| Hysteresis   | All    |                 |     | 0.2    |     | Vdc           |
| PMBus Adjustable Input Under Voltage Lockout Thresholds  | All    |                 | 4   |        | 14  | Vdc           |
| Resolution of Adjustable Input Under Voltage Threshold   | All    |                 | 250 |        |     | mV            |
| PGOOD (Power Good)   |        |                 |     |        |     |               |
| Signal Interface Open Drain, $V_{supply} \leq 5VDC$  |        |                 |     |        |     |               |
| Overshoot threshold for PGOOD ON   | All    |                 |     | 108.33 |     | % $V_{o,set}$ |
| Overshoot threshold for PGOOD OFF  | All    |                 |     | 112.5  |     | % $V_{o,set}$ |
| Undervoltage threshold for PGOOD ON  | All    |                 |     | 91.67  |     | % $V_{o,set}$ |
| Undervoltage threshold for PGOOD OFF   | All    |                 |     | 87.5   |     | % $V_{o,set}$ |
| Pulldown resistance of PGOOD pin   | All    |                 |     | 40     | 70  | $\Omega$      |
| Sink current capability into PGOOD pin   | All    |                 |     |        | 5   | mA            |

\* Over temperature Warning – Warning may not activate before alarm and unit may shutdown before warning

## 7A Digital PicoDlynxII™: Non-Isolated DC-DC Power Modules

4.5Vdc –14.4Vdc input; 0.51Vdc to 5.5Vdc output; 7A Output Current

### Digital Interface Specifications

Unless otherwise indicated, specifications apply over all operating input voltage, resistive load, and temperature conditions. See Feature Descriptions for additional information.

| Parameter  | Conditions                    | Symbol           | Min      | Typ       | Max | Unit              |
|--|-------------------------------|------------------|----------|-----------|-----|-------------------|
| <b>PMBus Signal Interface Characteristics</b>                  |                               |                  |          |           |     |                   |
| Input High Voltage (CLK, DATA)                                 |                               | $V_{IH}$         | 2.1      |           | 3.6 | V                 |
| Input Low Voltage (CLK, DATA)                                  |                               | $V_{IL}$         |          |           | 0.8 | V                 |
| Input high level current (CLK, DATA)                           |                               | $I_{IH}$         | -10      |           | 10  | $\mu$ A           |
| Input low level current (CLK, DATA)                            |                               | $I_{IL}$         | -10      |           | 10  | $\mu$ A           |
| Output Low Voltage (CLK, DATA, SMBALERT#)                      | $I_{OUT}=2mA$                 | $V_{OL}$         |          |           | 0.4 | V                 |
| Output high level open drain leakage current (DATA, SMBALERT#) | $V_{OUT}=3.6V$                | $I_{OH}$         | 0        |           | 10  | $\mu$ A           |
| Pin capacitance  |                               | $C_O$            |          | 0.7       |     | pF                |
| PMBus Operating frequency range                                | Slave Mode                    | F <sub>PMB</sub> | 10       |           | 400 | kHz               |
| Data hold time   | Receive Mode<br>Transmit Mode | $t_{HD:DAT}$     | 0<br>300 |           |     | ns                |
| Data setup time  |                               | $t_{SU:DAT}$     | 250      |           |     | ns                |
| <b>Measurement System Characteristics</b>                      |                               |                  |          |           |     |                   |
| Output current measurement range                               |                               | $I_{RNG}$        | 0        |           | 10  | A                 |
| Output current measurement accuracy @12Vin, 25°C to 85°C       |                               | $I_{ACC}$        | -7       |           | 7%  | Max rated Current |
| Temperature measurement accuracy @12Vin, 0°C to 85°C           |                               | $T_{ACC}$        |          | $\pm 5^*$ |     | °C                |
| $V_{OUT}$ measurement range                                    |                               | $V_{OUT(rng)}$   | 0        |           | 6   | V                 |
| $V_{OUT}$ measurement accuracy                                 |                               | $V_{OUT, ACC}$   | -2       |           | 2   | %                 |

\*Accuracy as per PWM Controller Datasheet

# 7A Digital PicoDlynxII™: Non-Isolated DC-DC Power Modules

4.5Vdc –14.4Vdc input; 0.51Vdc to 5.5Vdc output; 7A Output Current

## Characteristic Curves

The following figures provide typical characteristics for the 7A Digital PicoDlynxII™ at 0.6Vo and 25°C.

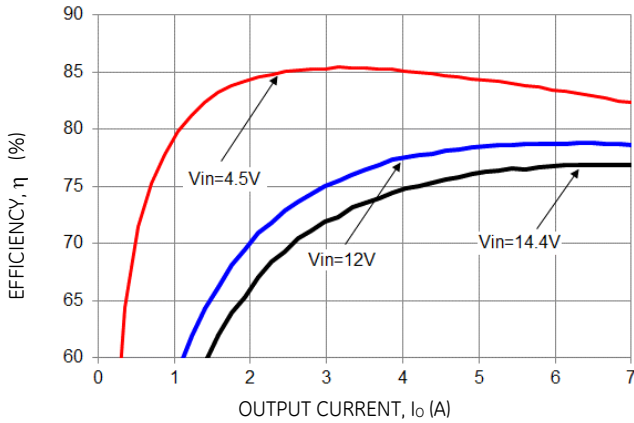


Figure 1. Converter Efficiency versus Output Current.

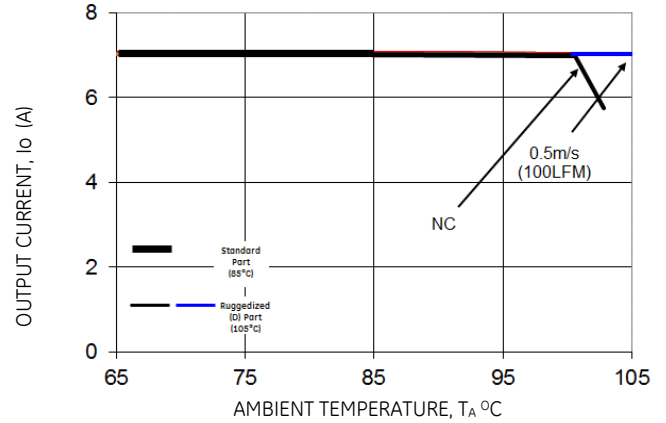


Figure 2. Derating Output Current versus Ambient Temperature and Airflow.

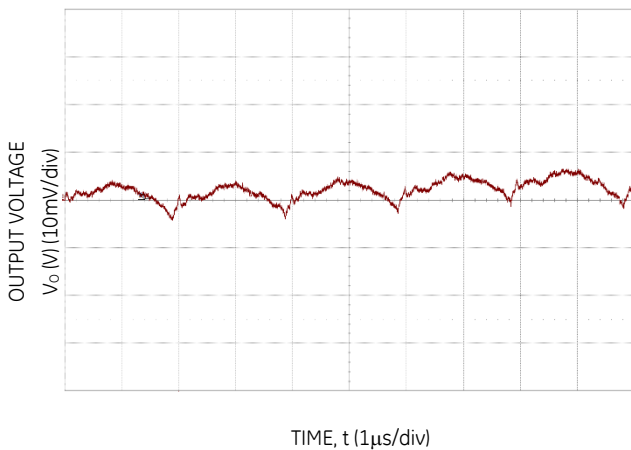


Figure 3. Typical output ripple ( $C_o=3+-x22\mu F$  ceramic,  $V_{IN} = 12V$ ,  $I_o = I_{o,max}$ ).

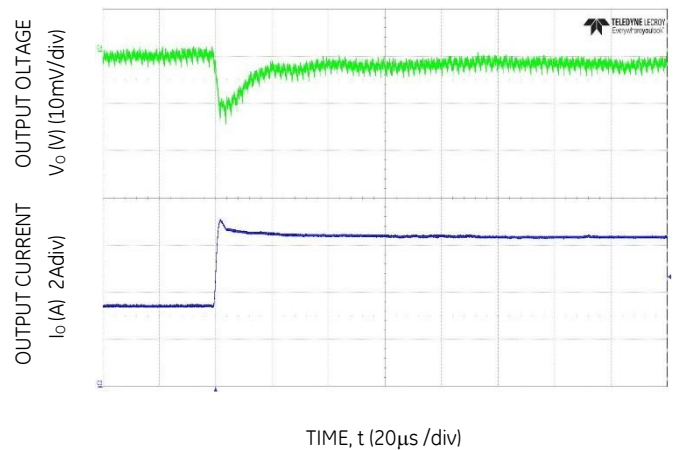


Figure 4. Transient Response to Dynamic Load Change from 50% to 100% at 12Vin, Cout= 6x47uF + 4x330uF, CTune=22nF, RTune=237Ω

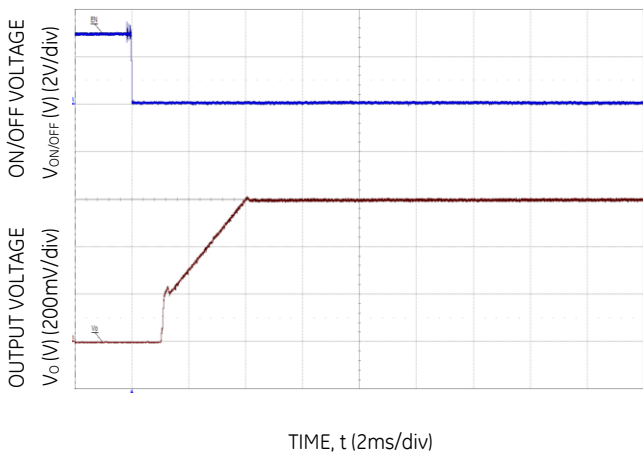


Figure 5. Typical Start-up Using On/Off Voltage ( $I_o = I_{o,max}$ ).

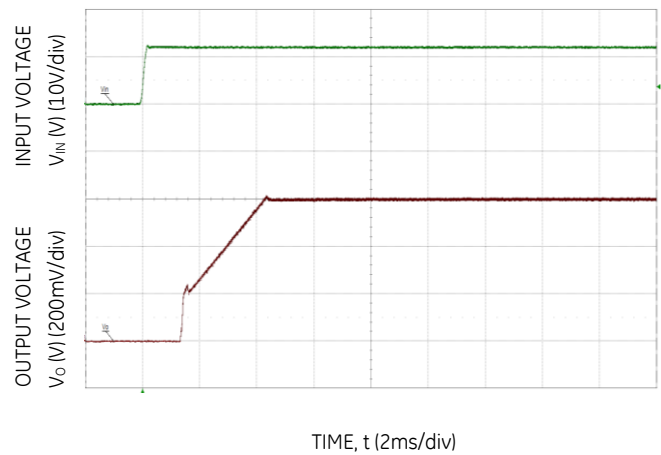


Figure 6. Typical Start-up Using Input Voltage ( $V_{IN} = 12V$ ,  $I_o = I_{o,max}$ ).

# 7A Digital PicoDlynxII™: Non-Isolated DC-DC Power Modules

4.5Vdc –14.4Vdc input; 0.51Vdc to 5.5Vdc output; 7A Output Current

## Characteristic Curves

The following figures provide typical characteristics for the 7A Digital PicoDlynxII™ at 1.2Vo and 25°C.

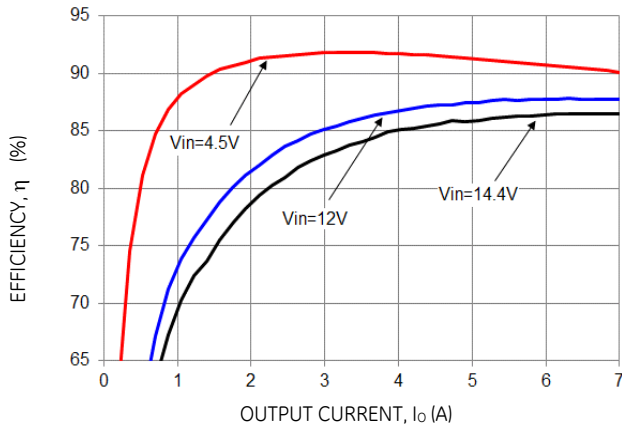


Figure 7. Converter Efficiency versus Output Current.

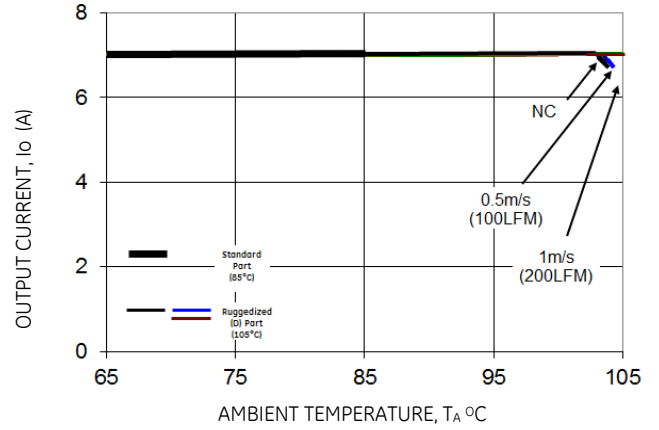


Figure 8. Derating Output Current versus Ambient Temperature and Airflow.

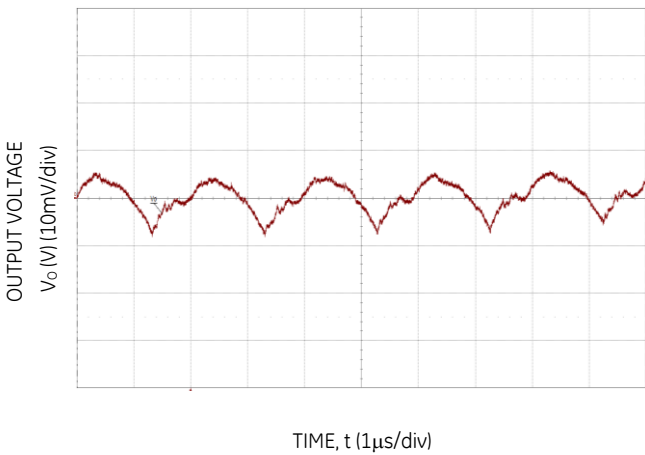


Figure 9. Typical output ripple (Co=3x22µF ceramic, Vin = 12V, Io = Io,max.).

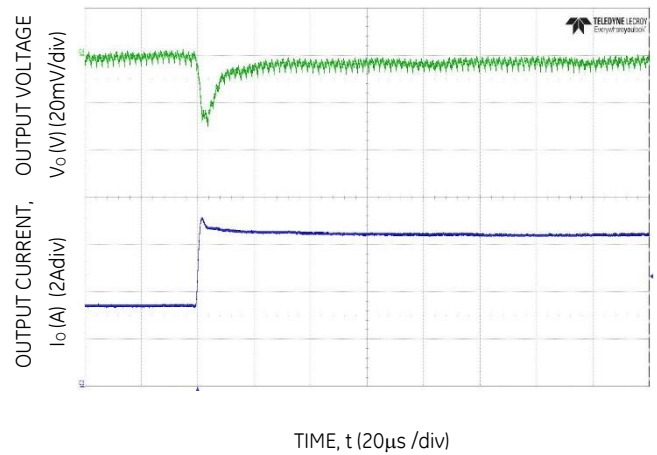


Figure 10. Transient Response to Dynamic Load Change from 50% to 100% at 12Vin, Cout= 6x47uF + 1x330uF, CTune=12nF, RTune=300Ω

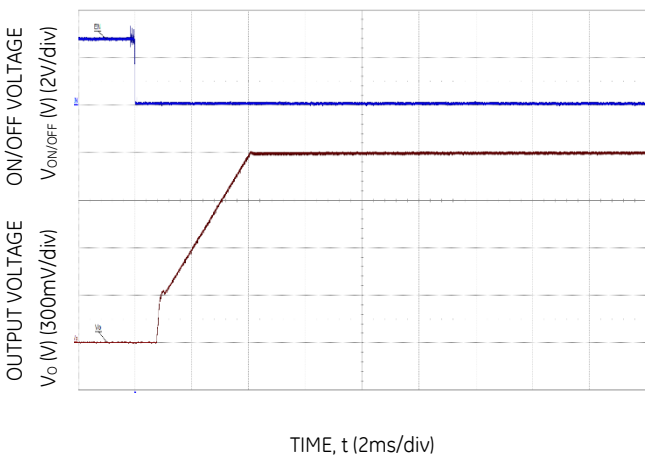


Figure 11. Typical Start-up Using On/Off Voltage (Io = Io,max.).

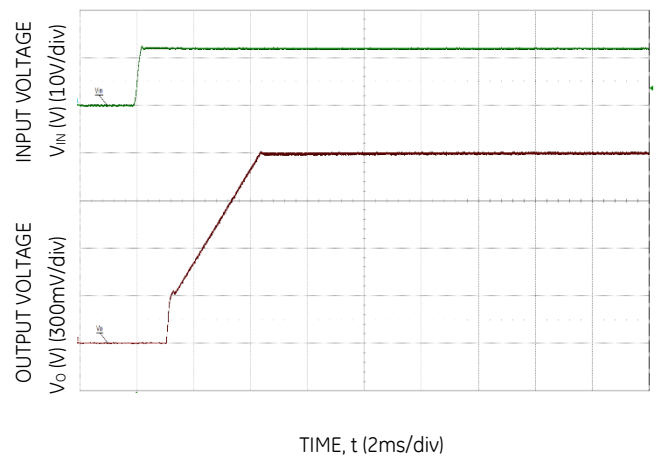


Figure 12. Typical Start-up Using Input Voltage (Vin = 12V, Io = Io,max.).



# 7A Digital PicoDLynxII™: Non-Isolated DC-DC Power Modules

4.5Vdc –14.4Vdc input; 0.51Vdc to 5.5Vdc output; 7A Output Current

## Characteristic Curves

The following figures provide typical characteristics for the 7A Digital PicoDLynxII™ at 1.8V<sub>o</sub> and 25°C.

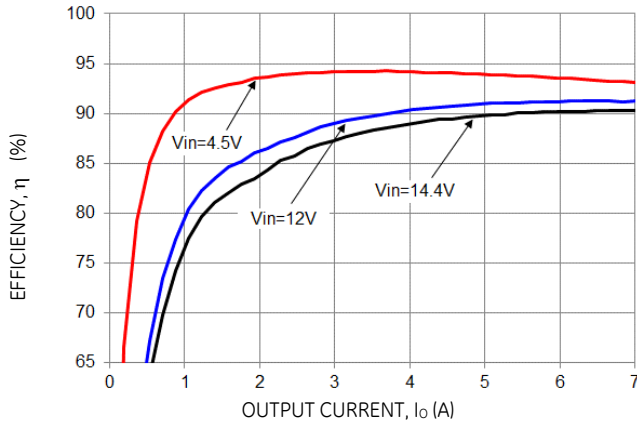


Figure 13. Converter Efficiency versus Output Current.

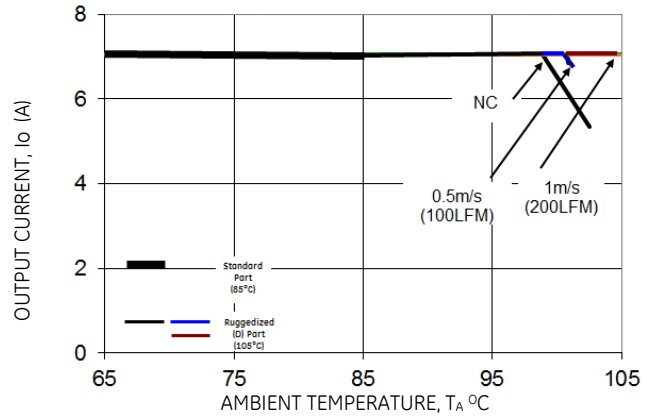


Figure 14. Derating Output Current versus Ambient Temperature and Airflow.

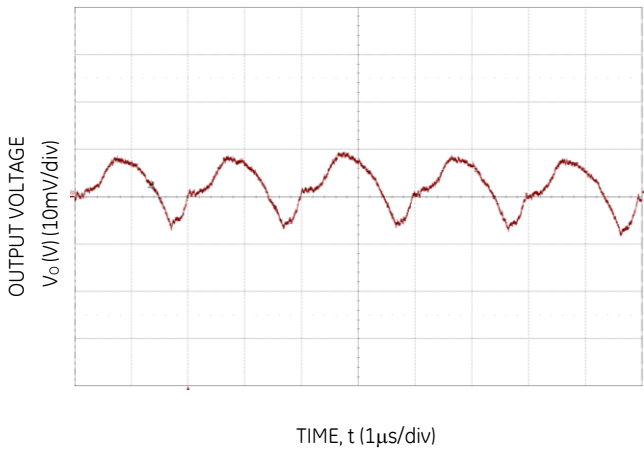


Figure 15. Typical output ripple and noise (C<sub>o</sub>=3X22µF ceramic, V<sub>IN</sub> = 12V, I<sub>o</sub> = I<sub>o,max</sub>).

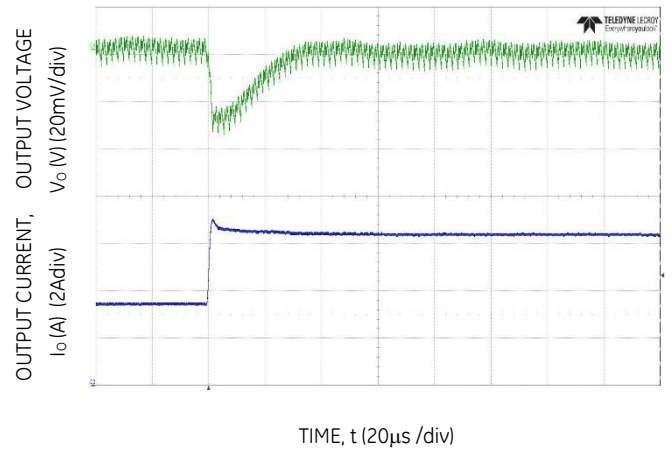


Figure 16. Transient Response to Dynamic Load Change from 50% to 100% at 12V<sub>in</sub>, C<sub>out</sub>= 3x47µF+1x330µF, C<sub>Tune</sub>=3.9nF, R<sub>Tune</sub>=300Ω

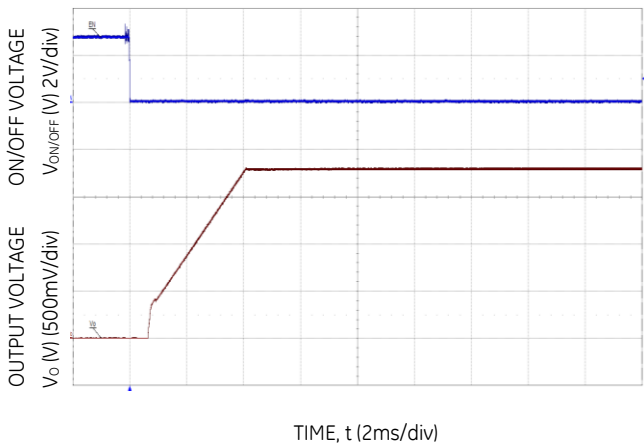


Figure 17. Typical Start-up Using On/Off Voltage (I<sub>o</sub> = I<sub>o,max</sub>).

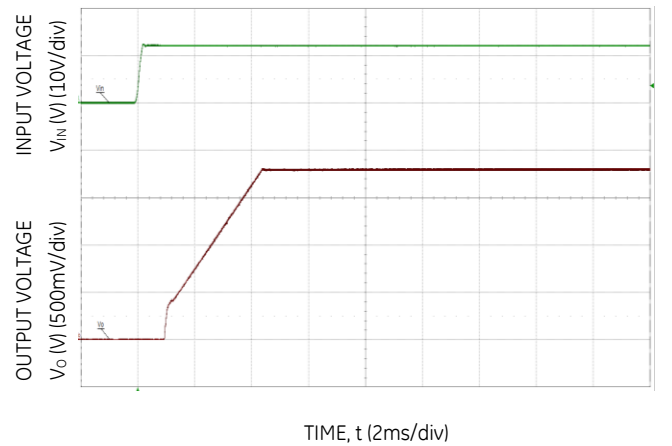


Figure 18. Typical Start-up Using Input Voltage (V<sub>IN</sub> = 12V, I<sub>o</sub> = I<sub>o,max</sub>).

# 7A Digital PicoDlynxII™: Non-Isolated DC-DC Power Modules

4.5Vdc –14.4Vdc input; 0.51Vdc to 5.5Vdc output; 7A Output Current

## Characteristic Curves

The following figures provide typical characteristics for the 7A Digital PicoDlynxII™ at 2.5Vo and 25°C.

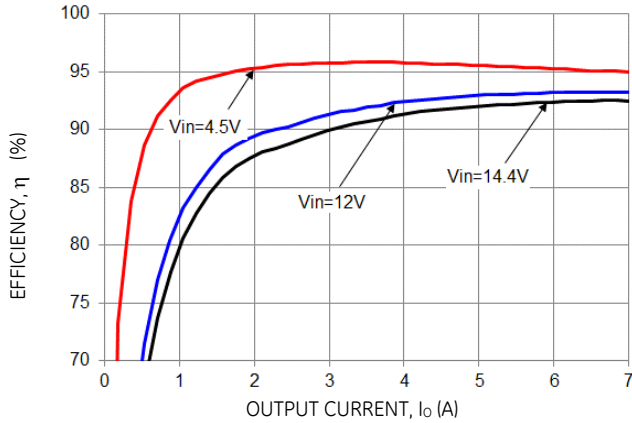


Figure 19. Converter Efficiency versus Output Current.

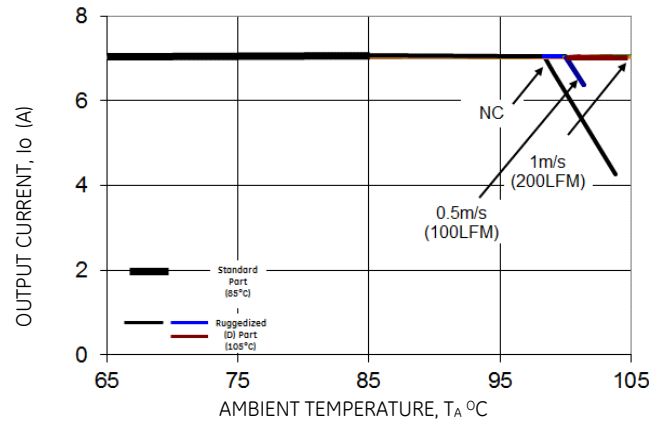


Figure 20. Derating Output Current versus Ambient Temperature and Airflow.

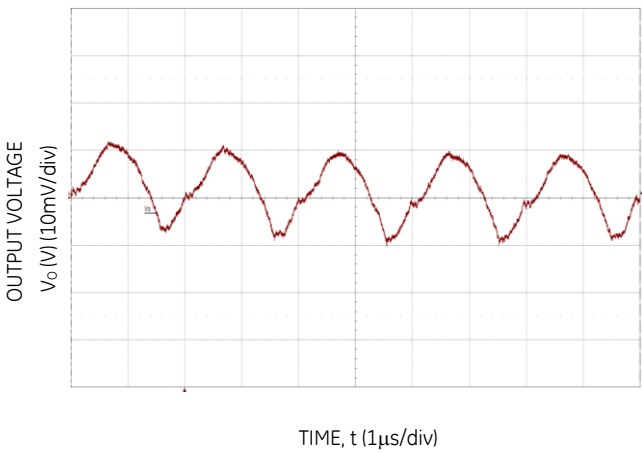


Figure 21. Typical output ripple and noise ( $C_o=3 \times 22\mu\text{F}$  ceramic,  $V_{IN} = 12\text{V}$ ,  $I_o = I_{o,max}$ ).

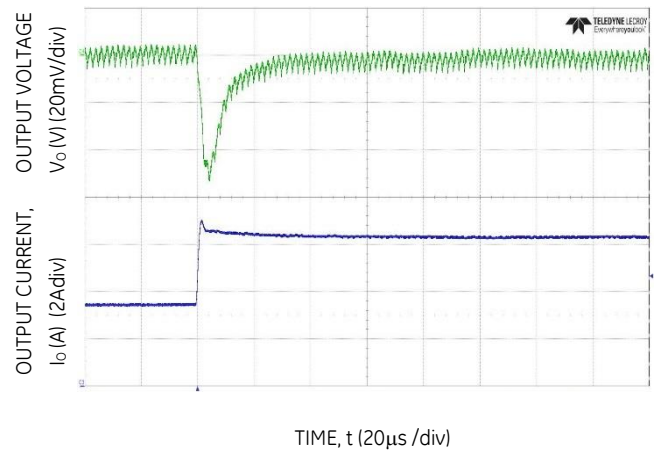


Figure 22. Transient Response to Dynamic Load Change from 50% to 100% at 12Vin,  $C_{out} = 6 \times 47\mu\text{F}$ ,  $C_{Tune} = 3.9\text{nF}$ ,  $R_{Tune} = 300\Omega$

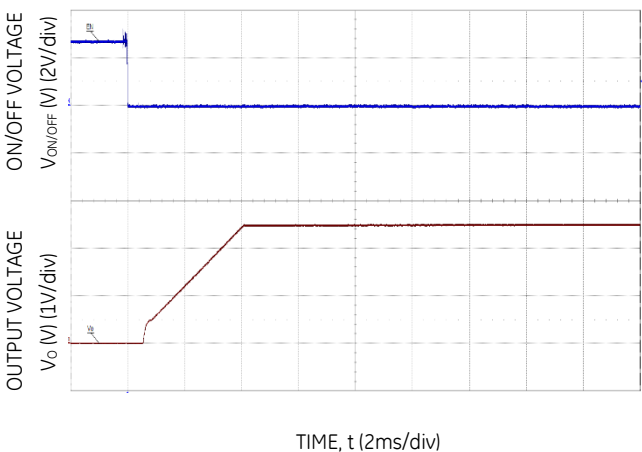


Figure 23. Typical Start-up Using On/Off Voltage ( $I_o = I_{o,max}$ ).

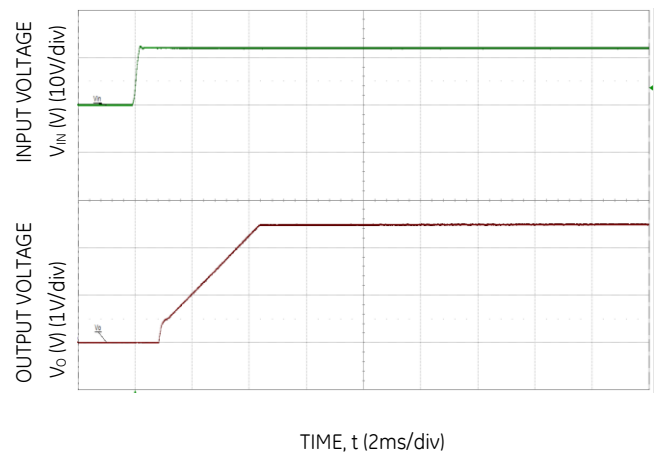


Figure 24. Typical Start-up Using Input Voltage ( $V_{IN} = 12\text{V}$ ,  $I_o = I_{o,max}$ ).

# 7A Digital PicoDlynxII™: Non-Isolated DC-DC Power Modules

4.5Vdc –14.4Vdc input; 0.51Vdc to 5.5Vdc output; 7A Output Current

## Characteristic Curves

The following figures provide typical characteristics for the 7A Digital PicoDlynxII™ at 3.3V<sub>o</sub> and 25°C.

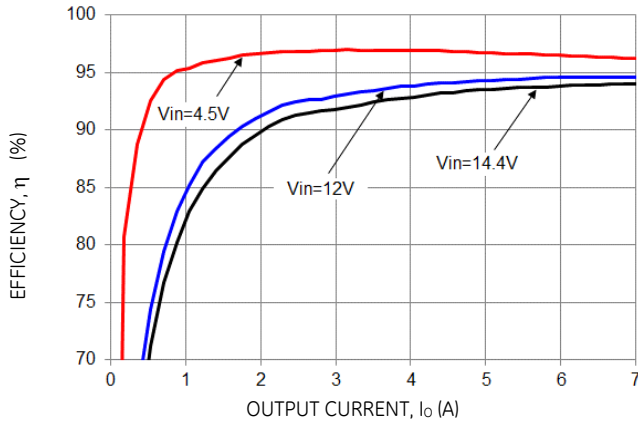


Figure 25. Converter Efficiency versus Output Current.

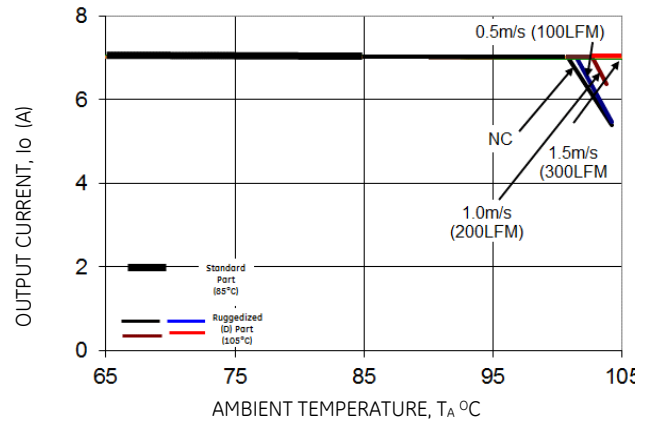


Figure 26. Derating Output Current versus Ambient Temperature and Airflow.

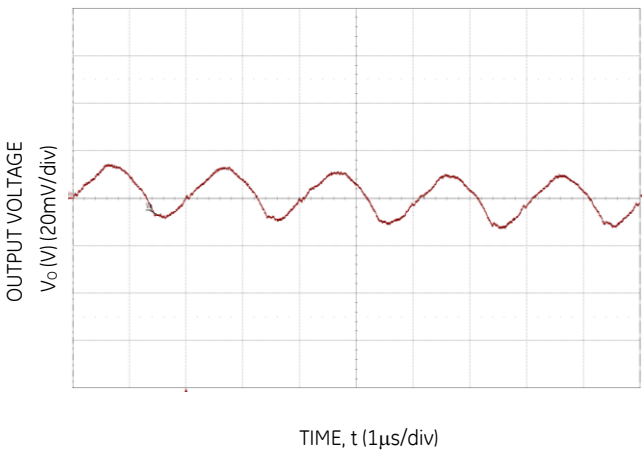


Figure 27. Typical output ripple and noise (C<sub>o</sub>=3x22µF ceramic, V<sub>IN</sub> = 12V, I<sub>o</sub> = I<sub>o,max</sub>).

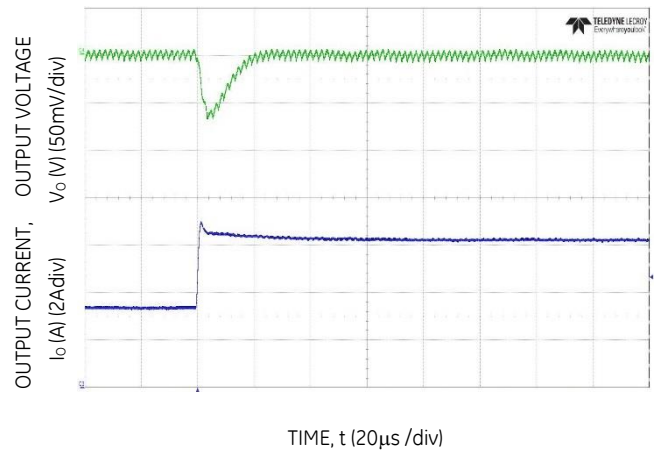


Figure 28 Transient Response to Dynamic Load Change from 50% to 100% at 12V<sub>in</sub>, C<sub>out</sub>=5x47µF, C<sub>Tune</sub>=1.8nF, R<sub>Tune</sub>=300Ω

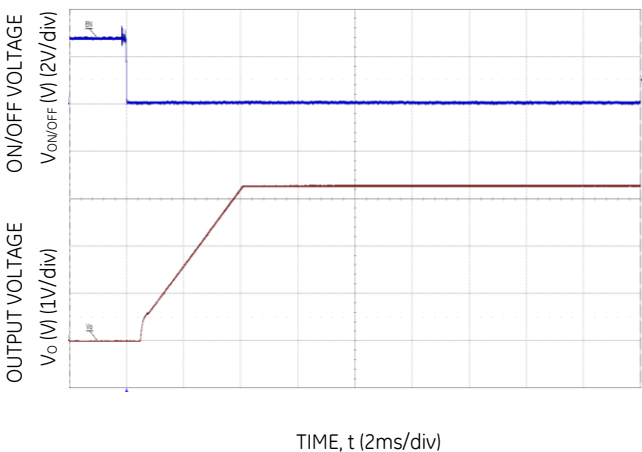


Figure 29. Typical Start-up Using On/Off Voltage (I<sub>o</sub> = I<sub>o,max</sub>).

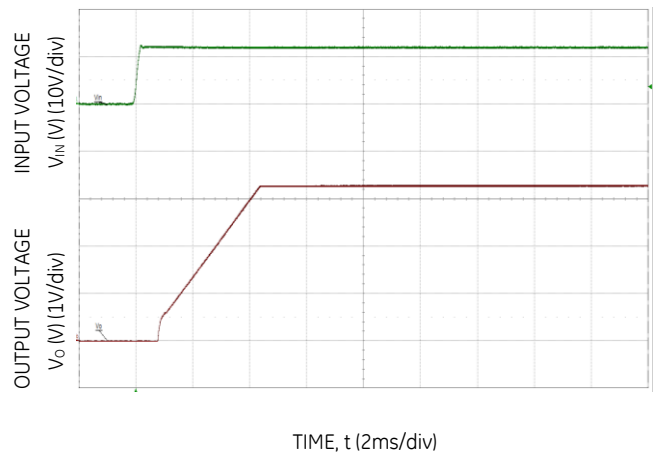


Figure 30. Typical Start-up Using Input Voltage (V<sub>IN</sub> = 12V, I<sub>o</sub> = I<sub>o,max</sub>).

# 7A Digital PicoDlynxII™: Non-Isolated DC-DC Power Modules

4.5Vdc –14.4Vdc input; 0.51Vdc to 5.5Vdc output; 7A Output Current

## Characteristic Curves

The following figures provide typical characteristics for the 7A Digital PicoDlynxII™ at 5.0Vo and 25°C.

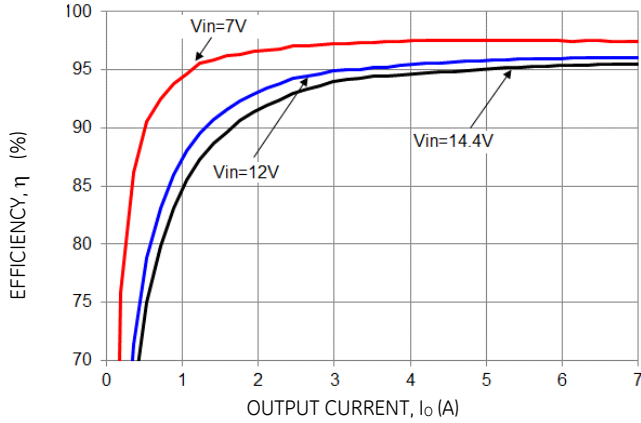


Figure 31. Converter Efficiency versus Output Current.

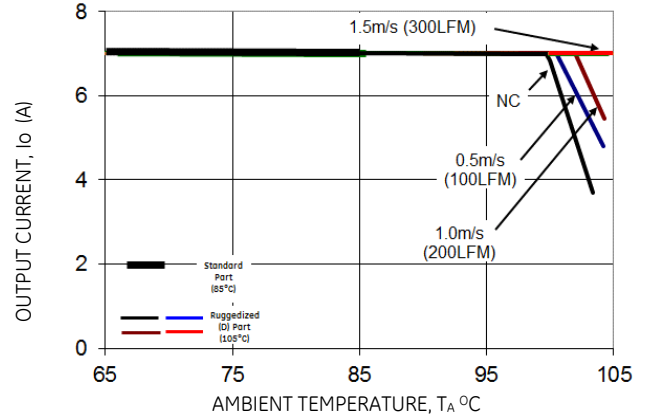


Figure 32. Derating Output Current versus Ambient Temperature and Airflow.

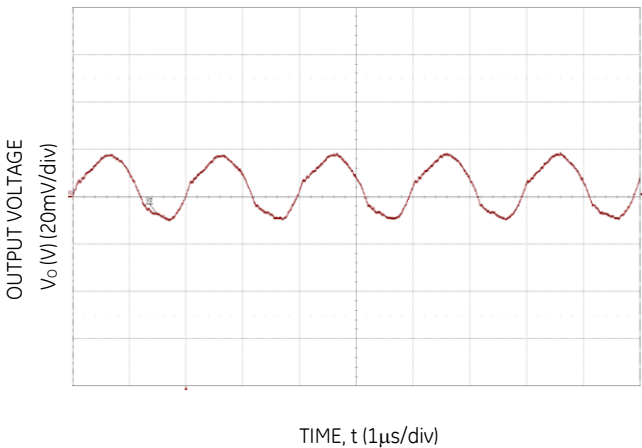


Figure 33. Typical output ripple and noise ( $C_o=3 \times 22\mu\text{F}$  ceramic,  $V_{IN} = 12\text{V}$ ,  $I_o = I_{o,max}$ ).

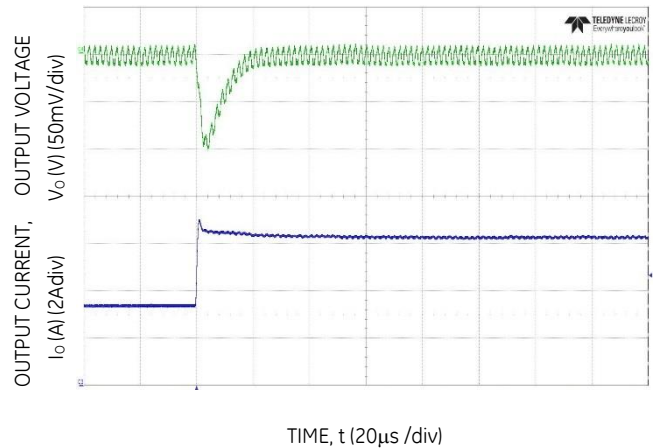


Figure 34. Transient Response to Dynamic Load Change from 50% to 100% at 12Vin, Cout=3x47µF, CTune=1nF, RTune=300Ω

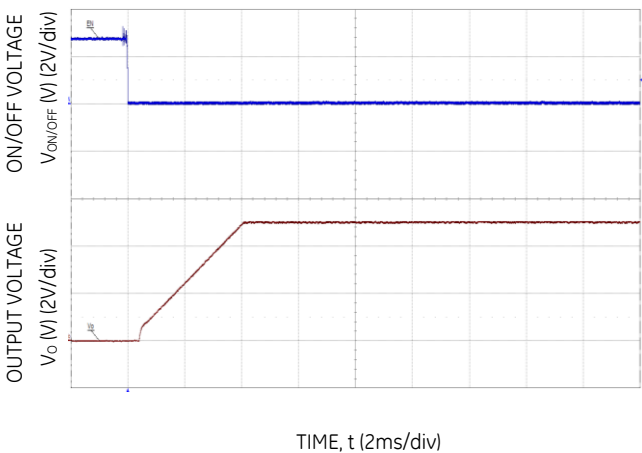


Figure 35. Typical Start-up Using On/Off Voltage ( $I_o = I_{o,max}$ ).

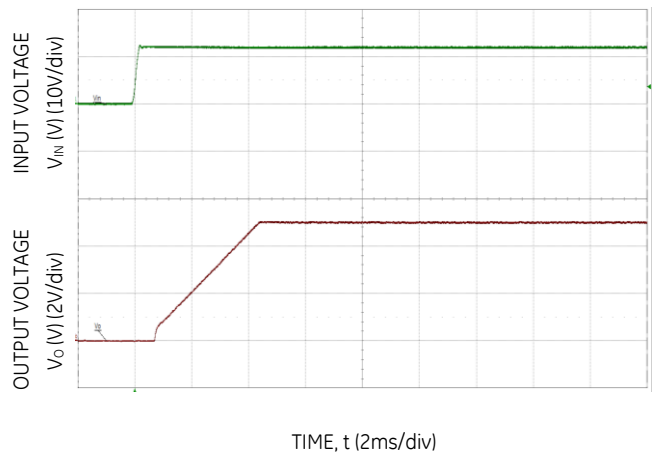


Figure 36. Typical Start-up Using Input Voltage ( $V_{IN} = 12\text{V}$ ,  $I_o = I_{o,max}$ ).

# 7A Digital PicoDLynxII™: Non-Isolated DC-DC Power Modules

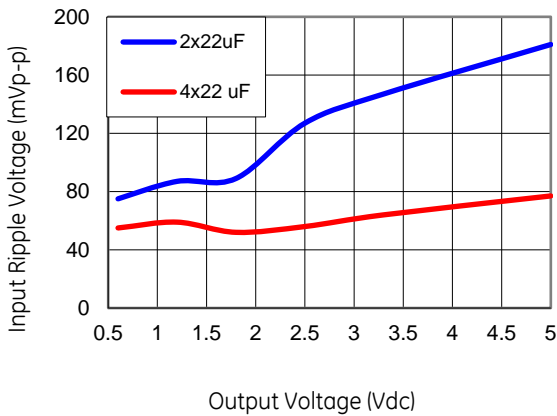
4.5Vdc –14.4Vdc input; 0.51Vdc to 5.5Vdc output; 7A Output Current

## Design Considerations

### Input Filtering

The 7A Digital PicoDLynxII™ module should be connected to a low ac-impedance source. A highly inductive source can affect the stability of the module. An input capacitance must be placed directly adjacent to the input pin of the module, to minimize input ripple voltage and ensure module stability.

To minimize input voltage ripple, ceramic capacitors are recommended at the input of the module. Figure 31 shows the input ripple voltage for various output voltages at 7A of load current with 2x22 μF or 4x22 μF ceramic capacitors and an input of 12V.

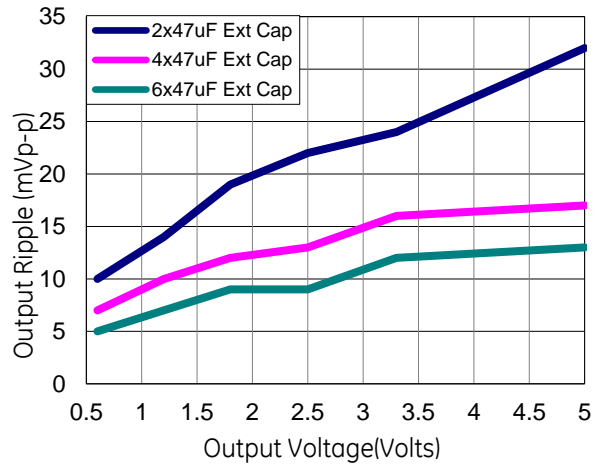


**Figure 37. Input ripple voltage for various output voltages with 2x22 μF or 4x22 μF ceramic capacitors at the input (7A load). Input voltage is 12V.**

### Output Filtering

These modules are designed for low output ripple voltage and will meet the maximum output ripple specification with 0.1 μF ceramic and 3x22 μF ceramic capacitors at the output of the module. However, additional output filtering may be required by the system designer for a number of reasons. First, there may be a need to further reduce the output ripple and noise of the module. Second, the dynamic response characteristics may need to be customized to a particular load step change.

To reduce the output ripple and improve the dynamic response to a step load change, additional capacitance at the output can be used. Low ESR polymer and ceramic capacitors are recommended to improve the dynamic response of the module. Figure 32 provides output ripple information for different external capacitance values at various Vo and a full load current of 7A. For stable operation of the module, limit the capacitance to less than the maximum output capacitance as specified in the electrical specification table. Optimal performance of the module can be achieved by using the Tunable Loop™ feature described later in this data sheet.



**Figure 38. Output ripple voltage for various output voltages with external 2x47 μF, 4x47 μF or 6x47 μF ceramic capacitors at the output (7A load). Input voltage is 12V.**

## Safety Considerations

For safety agency approval the power module must be installed in compliance with the spacing and separation requirements of the end-use safety agency standards, i.e., ANSI/UL 60950-1 2<sup>nd</sup> Revised October 14, 2014, CSA C22.2 No. 60950-1-07, Second Ed. + A2:2014 (MOD), DIN EN 60950-1:2006 + A11:2009 + A1:2010 +A12:2011, + A2:2013 (VDE0805 Teil 1: 2014-08)(pending).

For the converter output to be considered meeting the requirements of safety extra-low voltage (SELV), the input must meet SELV requirements. The power module has extra-low voltage (ELV) outputs when all inputs are ELV.

An external 20A Littelfuse 456 series fast-acting fuse or equivalent is recommended on the ungrounded input lead.

# 7A Digital PicoDLynxII™: Non-Isolated DC-DC Power Modules

4.5Vdc –14.4Vdc input; 0.51Vdc to 5.5Vdc output; 7A Output Current

## Analog Feature Descriptions

### Remote On/Off

The module can be turned ON and OFF either by using the ON/OFF pin (Analog interface) or through the PMBus interface (Digital). The module can be configured in a number of ways through the PMBus interface to react to the two ON/OFF inputs:

- Module ON/OFF can be controlled only through the analog interface (digital interface ON/OFF commands are ignored)
- Module ON/OFF can be controlled only through the PMBus interface (analog interface is ignored)
- Module ON/OFF can be controlled by either the analog or digital interface

The default state of the module (as shipped from the factory) is to be controlled by the analog interface only. If the digital interface is to be enabled, or the module is to be controlled only through the digital interface, this change must be made through the PMBus. These changes can be made and written to non-volatile memory on the module so that it is remembered for subsequent use.

### Analog On/Off

The 7A Digital PicoDLynxII™ power modules feature an On/Off pin for remote On/Off operation. Two On/Off logic options are available. In the Positive Logic On/Off option, (device code suffix “4” – see Ordering Information), the module turns ON during a logic High on the On/Off pin and turns OFF during a logic Low. With the Negative Logic On/Off option, (no device code suffix, see Ordering Information), the module turns OFF during logic High and ON during logic Low. The On/Off signal should be always referenced to ground. For either On/Off logic option, leaving the On/Off pin disconnected will turn the module ON when input voltage is present.

For positive logic modules, the circuit configuration for using the On/Off pin is shown in Figure 39. When the external transistor Q1 is in the OFF state, the internal PWM #Enable is pulled up internally, thus turning the module ON. When transistor Q1 is turned ON, the On/Off pin is pulled low, and consequently the internal PWM Enable signal is pulled low and the module is OFF.

For negative logic On/Off modules, the circuit configuration is shown in Fig. 40. The On/Off pin should be pulled high with an external pull-up resistor. When transistor Q2 is in the OFF state, the On/Off pin is pulled high, which pulls the internal ENABLE# High and the module is OFF. To turn the module ON, Q2 is turned ON pulling the On/Off pin low resulting in the PWM ENABLE# pin going Low. The maximum voltage allowed on the On/Off pin is 7V. If Vin is used as a source, then a suitable external resistor R1 must be used to ensure that the voltage on the On/Off pin does not exceed 7V.

### Digital On/Off

Please see the Digital Feature Descriptions section.

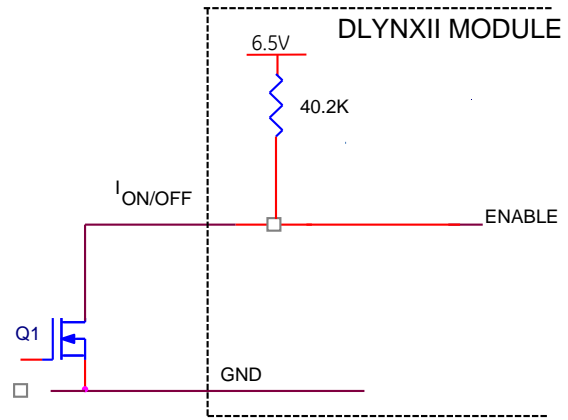


Figure 39. Circuit configuration for using positive On/Off logic.

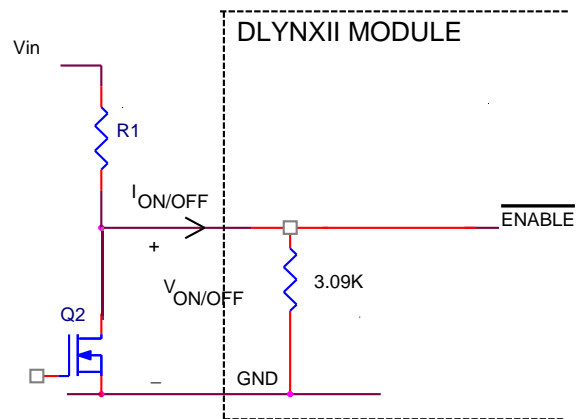


Figure 40. Circuit configuration for using negative On/Off logic.

## Monotonic Start-up and Shutdown

The module has monotonic start-up and shutdown behavior for any combination of rated input voltage, output current and operating temperature range.

### Startup into Pre-biased Output

The module can start into a prebiased output as long as the prebias voltage is 0.5V less than the set output voltage.

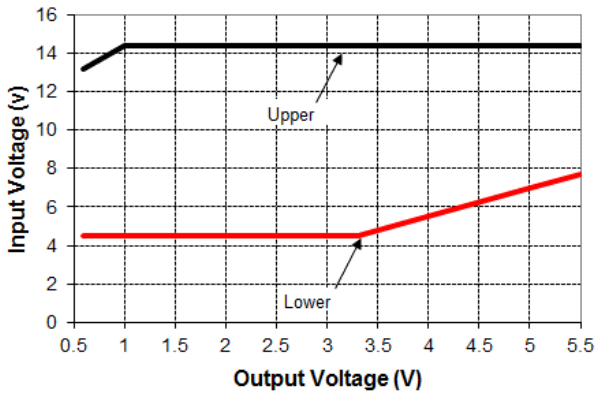
## Analog Output Voltage Programming

The output voltage of the module is programmable to any voltage from 0.6dc to 5.5Vdc by connecting a resistor between the Trim and SIG\_GND pins of the module. Certain restrictions apply on the output voltage set point depending

# 7A Digital PicoDlynxII™: Non-Isolated DC-DC Power Modules

4.5Vdc –14.4Vdc input; 0.51Vdc to 5.5Vdc output; 7A Output Current

on the input voltage. These are shown in the Output Voltage vs. Input Voltage Set Point Area plot in Fig. 35. The Upper Limit curve shows that for output voltages lower than 1V, the input voltage must be lower than the maximum of 14.4V. The Lower Limit curve shows that for output voltages higher than 3.3V, the input voltage needs to be higher than the minimum of 4.5V.



**Figure 41. Output Voltage vs. Input Voltage Set Point Area plot showing limits where the output voltage can be set for different input voltages.**

**Table 1**

| $V_{o, set}$ (V) | $R_{trim}$ (kΩ) |
|------------------|-----------------|
| 0.6              | Open            |
| 0.9              | 40              |
| 1.0              | 30              |
| 1.2              | 20              |
| 1.5              | 13.33           |
| 1.8              | 10              |
| 2.5              | 6.316           |
| 3.3              | 4.444           |
| 5.0              | 2.727           |

### Digital Output Voltage Adjustment

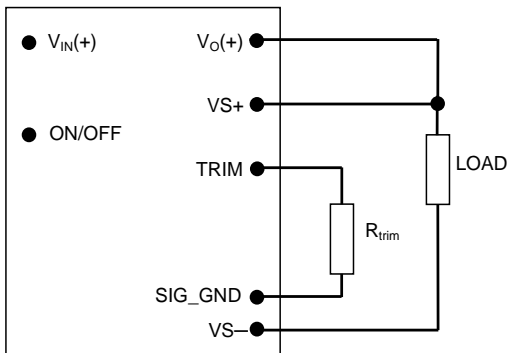
Please see the Digital Feature Descriptions section.

### Remote Sense

The power module has a Remote Sense feature to minimize the effects of distribution losses by regulating the voltage between the sense pins (VS+ and VS-). The voltage drop between the sense pins and the VOUT and GND pins of the module should not exceed 0.5V.

### Analog Voltage Margining

Output voltage margining can be implemented in the module by connecting a resistor,  $R_{margin-up}$ , from the Trim pin to the ground pin for margining-up the output voltage and by connecting a resistor,  $R_{margin-down}$ , from the Trim pin to output pin for margining-down. Figure 43 shows the circuit configuration for output voltage margining. The POL Programming Tool or Power Module Wizard (PMW), available at [www.gecriticalpower.com](http://www.gecriticalpower.com) under the Downloads section, also calculates the values of  $R_{margin-up}$  and  $R_{margin-down}$  for a specific output voltage and % margin. Please consult your local GE technical representative for additional details.



**Caution** – Do not connect SIG\_GND to GND elsewhere in the layout

**Figure 42. Circuit configuration for programming output voltage using an external resistor.**

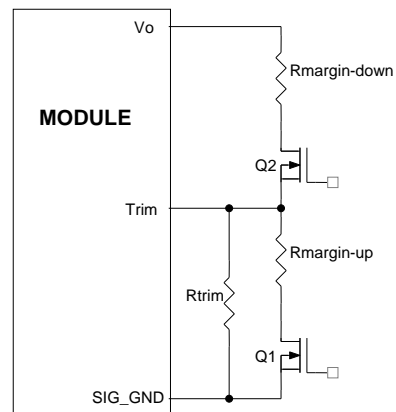
Without an external resistor between Trim and SIG\_GND pins, the output of the module will be 0.6Vdc. To calculate the value of the trim resistor,  $R_{trim}$  for a desired output voltage, should be as per the following equation:

$$R_{trim} = \left[ \frac{12}{(V_o - 0.6)} \right] k\Omega$$

$R_{trim}$  is the external resistor in kΩ

$V_o$  is the desired output voltage.

Table 1 provides  $R_{trim}$  values required for some common output voltages.



**Figure 43. Circuit Configuration for margining Output voltage.**

# 7A Digital PicoDlynxII™: Non-Isolated DC-DC Power Modules

4.5Vdc –14.4Vdc input; 0.51Vdc to 5.5Vdc output; 7A Output Current

## Digital Output Voltage Margining

Please see the Digital Feature Descriptions section.

## Output Voltage Sequencing

The power module includes a sequencing feature, EZ-SEQUENCE that enables users to implement various types of output voltage sequencing in their applications. This is accomplished via an additional sequencing pin. When not using the sequencing feature, leave it unconnected.

When an analog voltage is applied to the SEQ pin, the output voltage tracks this voltage until the output reaches the set-point voltage. The final value of the SEQ voltage must be set higher than the set-point voltage of the module. The output voltage follows the voltage on the SEQ pin on a one-to-one basis. By connecting multiple modules together, multiple modules can track their output voltages to the voltage applied on the SEQ pin.

For proper voltage sequencing, first, input voltage is applied to the module. The On/Off pin of the module is left unconnected (or tied to GND for negative logic modules or tied to  $V_{IN}$  for positive logic modules) so that the module is ON by default. After applying input voltage to the module, a minimum 10msec delay is required before applying voltage on the SEQ pin. This delay gives the module enough time to complete its internal power-up soft-start cycle. During the delay time, the SEQ pin should be held close to ground (nominally  $50\text{mV} \pm 20\text{mV}$ ). This is required to keep the internal op-amp out of saturation thus preventing output overshoot during the start of the sequencing ramp. By selecting resistor R1 (see fig. 44) according to the following equation

$$R1 = \frac{26150}{6.5 - 0.05} = 4052\text{ohms, (4.02K Std.)}$$

the voltage at the sequencing pin will be 50mV when the sequencing signal is at zero.

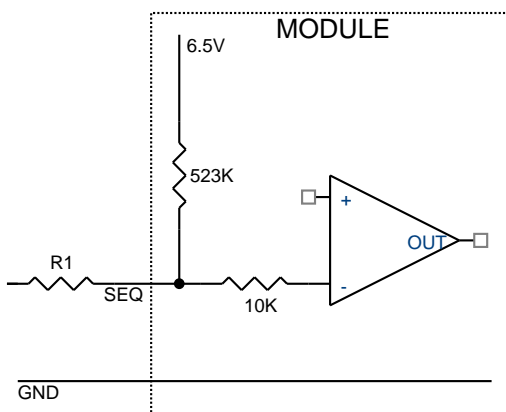


Figure 44. Circuit showing connection of the sequencing signal to the SEQ pin.

After the 10msec delay, an analog voltage is applied to the SEQ pin and the output voltage of the module will track this voltage on a one-to-one volt bases until the output reaches the set-point voltage. To initiate simultaneous shutdown of the modules, the SEQ pin voltage is lowered in a controlled manner. The output voltage of the modules tracks the voltages below their set-point voltages on a one-to-one basis. A valid input voltage must be maintained until the tracking and output voltages reach ground potential.

When using the EZ-SEQUENCE™ feature to control start-up of the module, pre-bias immunity during start-up is disabled. The pre-bias immunity feature of the module relies on the module being in the diode-mode during start-up. When using the EZ-SEQUENCE™ feature, modules goes through an internal set-up time of 10msec, and will be in synchronous rectification mode when the voltage at the SEQ pin is applied. This will result in the module sinking current if a pre-bias voltage is present at the output of the module. When pre-bias immunity during start-up is required, the EZ-SEQUENCE™ feature must be disabled. For additional guidelines on using the EZ-SEQUENCE™ feature please refer to Application Note AN04-008 “Application Guidelines for Non-Isolated Converters: Guidelines for Sequencing of Multiple Modules”, or contact the GE technical representative for additional information.

## Overcurrent Protection

To provide protection in a fault (output overload) condition, the unit is equipped with internal current-limiting circuitry and can endure current limiting continuously. At the point of current-limit inception, the unit enters hiccup mode. The unit operates normally once the output current is brought back into its specified range.

## Digital Adjustable Overcurrent Warning

Please see the Digital Feature Descriptions section.

## Overtemperature Protection

To provide protection in a fault condition, the unit is equipped with a thermal shutdown circuit. The unit will shut down if the over-temperature threshold of 120°C (typ) is exceeded at the thermal reference point  $T_{ref}$ . Please refer to Electrical characteristic table, over-temperature section on page 5. Once the unit goes into thermal shutdown it will then wait to cool before attempting to restart.

## Digital Temperature Status via PMBus

Please see the Digital Feature Descriptions section.

## Digitally Adjustable Output Over and Under Voltage Protection

Please see the Digital Feature Descriptions section.

## Input Undervoltage Lockout

At input voltages below the input undervoltage lockout limit, the module operation is disabled. The module will begin to operate at an input voltage above the undervoltage lockout turn-on threshold.



# 7A Digital PicoDlynxII™: Non-Isolated DC-DC Power Modules

4.5Vdc –14.4Vdc input; 0.51Vdc to 5.5Vdc output; 7A Output Current

### Digitally Adjustable Input Undervoltage Lockout

Please see the Digital Feature Descriptions section.

### Digitally Adjustable Power Good Thresholds

Please see the Digital Feature Descriptions section.

### Synchronization

The module switching frequency can be synchronized to a signal with an external frequency within a specified range. Synchronization can be done by using the external signal applied to the SYNC pin of the module as shown in Fig. 45, with the converter being synchronized by the rising edge of the external signal. The module switches at half the SYNC frequency. The Electrical Specifications table specifies the requirements of the external SYNC signal. If the SYNC pin is not used, the module will free run at the default switching frequency. **If synchronization is not being used, connect the SYNC pin to SIG\_GND.**

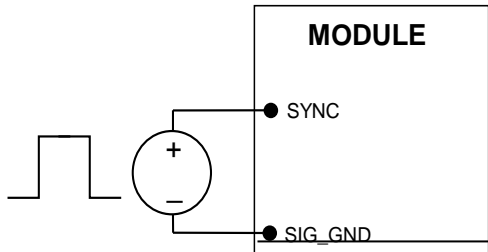


Figure 45. External source connections to synchronize switching frequency of the module.

### Measuring Output Current and Output Voltage

Please see the Digital Feature Descriptions section.

### Dual Layout

Identical dimensions and pin layout of Analog and Digital PicoDlynxII modules permit migration from one to the other without needing to change the layout. In both cases the trim resistor is connected between trim and signal ground. The output of the analog module cannot be trimmed down to 0.51V

### Tunable Loop™

The module has a feature that optimizes transient response of the module called Tunable Loop™.

External capacitors are usually added to the output of the module for two reasons: to reduce output ripple and noise (see Figure 38) and to reduce output voltage deviations from the steady-state value in the presence of dynamic load current changes. Adding external capacitance however affects the voltage control loop of the module, typically causing the loop to slow down with sluggish response. Larger values of external capacitance could also cause the module to become unstable.

The Tunable Loop™ allows the user to externally adjust the voltage control loop to match the filter network connected to the output of the module. The Tunable Loop™ is implemented by connecting a series R-C between the VS+ and TRIM pins of

the module, as shown in Fig. 46. This R-C allows the user to externally adjust the voltage loop feedback compensation of the module.

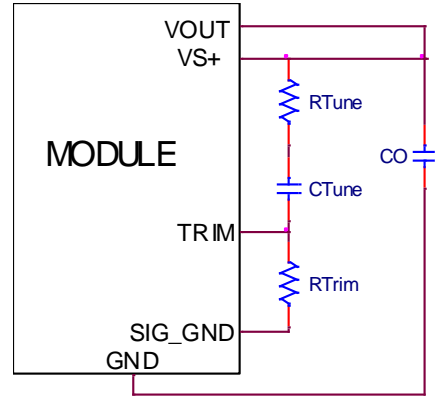


Figure 46. Circuit diagram showing connection of  $R_{TUNE}$  and  $C_{TUNE}$  to tune the control loop of the module.

Recommended values of  $R_{TUNE}$  and  $C_{TUNE}$  for different output capacitor combinations are given in Tables 2 and 3. Table 3 shows the recommended values of  $R_{TUNE}$  and  $C_{TUNE}$  for different values of ceramic output capacitors up to 1000uF that might be needed for an application to meet output ripple and noise requirements. Selecting  $R_{TUNE}$  and  $C_{TUNE}$  according to Table 3 will ensure stable operation of the module.

In applications with tight output voltage limits in the presence of dynamic current loading, additional output capacitance will be required. Table 3 lists recommended values of  $R_{TUNE}$  and  $C_{TUNE}$  in order to meet 2% output voltage deviation limits for some common output voltages in the presence of a 3.5A to 7A step change (50% of full load), with an input voltage of 12V.

Please contact your GE technical representative to obtain more details of this feature as well as for guidelines on how to select the right value of external R-C to tune the module for best transient performance and stable operation for other output capacitance values.

Table 2. General recommended values of  $R_{TUNE}$  and  $C_{TUNE}$  for  $V_{in}=12V$  and various external ceramic capacitor combinations.

| $C_o$      | 4x47µF | 6x47µF | 8x47µF | 10x47µF | 20x47µF |
|------------|--------|--------|--------|---------|---------|
| $R_{TUNE}$ | 300    | 300    | 300    | 300     | 300     |
| $C_{TUNE}$ | 220p   | 330p   | 390p   | 470p    | 1.8n    |

## 7A Digital PicoDLynxII™: Non-Isolated DC-DC Power Modules

4.5Vdc –14.4Vdc input; 0.51Vdc to 5.5Vdc output; 7A Output Current

**Table 3. Recommended values of  $R_{TUNE}$  and  $C_{TUNE}$  to obtain transient deviation of 2% of  $V_{out}$  for a 3.5A step load with  $V_{in}=12V$ .**

| $V_o$      | 5V     | 3.3V   | 2.5V   | 1.8V                   | 1.2V                | 0.6V                   |
|------------|--------|--------|--------|------------------------|---------------------|------------------------|
| $C_o$      | 3x47uf | 5x47uF | 6x47uF | 3x47uF<br>+<br>1x330uF | 6x47uF +<br>1x330uF | 6x47uF<br>+<br>4x330uF |
| $R_{TUNE}$ | 300    | 300    | 300    | 300                    | 300                 | 237                    |
| $C_{TUNE}$ | 1000pF | 1800pF | 3900pF | 3900pF                 | 12nF                | 22nF                   |
| $\Delta V$ | 78mV   | 52mV   | 37mV   | 31mV                   | 20mV                | 11mV                   |

**Note: The capacitors used in the Tunable Loop tables are 47  $\mu$ F/3 m $\Omega$  ESR ceramic and 330  $\mu$ F/9 m $\Omega$  ESR polymer capacitors.**

### Power Module Wizard

GE offers a free web based easy to use tool that helps users simulate the Tunable Loop performance of the PJT007. Go to <http://ge.transim.com/pmd/Home> and sign up for a free account and use the module selector tool. The tool also offers downloadable Simplis/Simatrix models that can be used to assess transient performance, module stability, etc.

# 7A Digital PicoDlynxII™: Non-Isolated DC-DC Power Modules

4.5Vdc –14.4Vdc input; 0.51Vdc to 5.5Vdc output; 7A Output Current

## Digital Feature Descriptions

### PMBus Interface Capability

The 7A Digital PicoDlynxII™ power modules have a PMBus interface that supports both communication and control. The PMBus Power Management Protocol Specification can be obtained from [www.pmbus.org](http://www.pmbus.org). The modules support a subset of version 1.1 of the specification (see Table 6 for a list of the specific commands supported). Most module parameters can be programmed using PMBus and stored as defaults for later use.

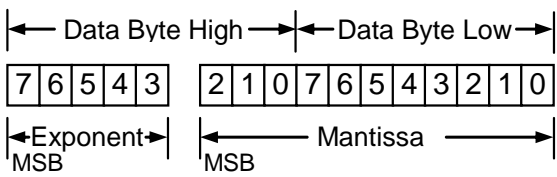
All communication over the module PMBus interface must support the Packet Error Checking (PEC) scheme. The PMBus master must generate the correct PEC byte for all transactions, and check the PEC byte returned by the module.

The module also supports the SMBALERT# response protocol whereby the module can alert the bus master if it wants to talk. For more information on the SMBus alert response protocol, see the System Management Bus (SMBus) specification.

The module has non-volatile memory that is used to store configuration settings. Not all settings programmed into the device are automatically saved into this non-volatile memory, only those specifically identified as capable of being stored can be saved (see Table 6 for which command parameters can be saved to non-volatile storage).

### PMBus Data Format

For commands that set thresholds, voltages or report such quantities, the module supports the “Linear” data format among the three data formats supported by PMBus. The Linear Data Format is a two byte value with an 11-bit, two’s complement mantissa and a 5-bit, two’s complement exponent. The format of the two data bytes is shown below:



The value of the number is then given by  

$$\text{Value} = \text{Mantissa} \times 2^{\text{Exponent}}$$

### PMBus Addressing

The power module can be addressed through the PMBus using a device address. The module has 64 possible addresses (0 to 63 in decimal) which can be set using resistors connected from the ADDR0 and ADDR1 pins to GND. Note that some of these addresses (0, 1, 2, 3, 4, 5, 6, 7, 8, 9, 10, 11, 12, 40, 44, 45, 55 in decimal) are reserved according to the SMBus specifications and may not be useable. The address is set in the form of two octal (0 to 7) digits, with each pin setting one digit. The ADDR1 pin sets the high order digit and ADDR0 sets the low order digit. The resistor values suggested for each digit are shown in Table 4 (1% tolerance resistors are recommended). Note that if

either address resistor value is outside the range specified in Table 4, the module will respond to address 127.

Table 4

| Digit | Resistor Value (KΩ) |
|-------|---------------------|
| 0     | 11                  |
| 1     | 18.7                |
| 2     | 27.4                |
| 3     | 38.3                |
| 4     | 53.6                |
| 5     | 82.5                |
| 6     | 127                 |
| 7     | 187                 |

The user must know which I<sup>2</sup>C addresses are reserved in a system for special functions and set the address of the module to avoid interfering with other system operations. Both 100kHz and 400kHz bus speeds are supported by the module. Connection for the PMBus interface should follow the High Power DC specifications given in section 3.1.3 in the SMBus specification V2.0 for the 400kHz bus speed or the Low Power DC specifications in section 3.1.2. The complete SMBus specification is available from the SMBus web site, [smbus.org](http://smbus.org).

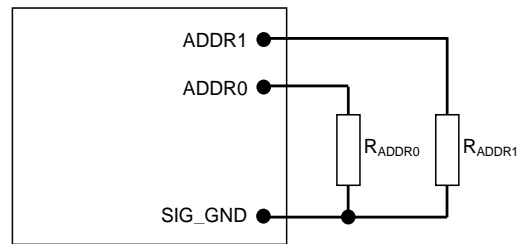


Figure 47. Circuit showing connection of resistors used to set the PMBus address of the module.

### Operation (01h)

This is a paged register. The OPERATION command can be used to turn the module on or off in conjunction with the ON/OFF pin input. It is also used to margin up or margin down the output voltage

### PMBus Enabled On/Off

The module can also be turned on and off via the PMBus interface. The OPERATION command is used to actually turn the module on and off via the PMBus, while the ON\_OFF\_CONFIG command configures the combination of analog ON/OFF pin input and PMBus commands needed to turn the module on and off. Bit [7] in the OPERATION command data byte enables the module, with the following functions:

- 0 : Output is disabled
- 1 : Output is enabled

This module uses the lower five bits of the ON\_OFF\_CONFIG data byte to set various ON/OFF options as follows:

# 7A Digital PicoDlynxII™: Non-Isolated DC-DC Power Modules

4.5Vdc –14.4Vdc input; 0.51Vdc to 5.5Vdc output; 7A Output Current

| Bit Position         | 4        | 3        | 2        | 1        | 0        |
|----------------------|----------|----------|----------|----------|----------|
| Access               | r/w      | r/w      | r/w      | r/w      | r        |
| Function             | PU       | CMD      | CPR      | POL      | CPA      |
| <b>Default Value</b> | <b>1</b> | <b>0</b> | <b>1</b> | <b>1</b> | <b>0</b> |

PU: Sets the default to either operate any time input power is present or for the ON/OFF to be controlled by the analog ON/OFF input and the PMBus OPERATION command. This bit is used together with the CP, CMD and ON bits to determine startup.

| Bit Value | Action   |
|-----------|--|
| 0         | Module powers up any time power is present regardless of state of the analog ON/OFF pin  |
| 1         | Module does not power up until commanded by the analog ON/OFF pin and the OPERATION command as programmed in bits [2:0] of the ON_OFF_CONFIG register. |

CMD: The CMD bit controls how the device responds to the OPERATION command.

| Bit Value | Action   |
|-----------|--|
| 0         | Module ignores the ON bit in the OPERATION command     |
| 1         | Module responds to the ON bit in the OPERATION command |

CPR: Sets the response of the analog ON/OFF pin. This bit is used together with the CMD, PU and ON bits to determine startup.

| Bit Value | Action   |
|-----------|--|
| 0         | Module ignores the analog ON/OFF pin, i.e. ON/OFF is only controlled through the PMBUS via the OPERATION command |
| 1         | Module requires the analog ON/OFF pin to be asserted to start the unit   |

CPA: Sets the action of the analog ON/OFF pin when turning the controller OFF. This bit is internally read and cannot be modified by the user

Table 5

| Rise Time | Exponent | Mantissa     |
|-----------|----------|--------------|
| 600µs     | 11100    | 00000001010  |
| 900µs     | 11100    | 00000001110  |
| 1.2ms     | 11100    | 000000010011 |
| 1.8ms     | 11100    | 000000011101 |
| 2.7ms     | 11100    | 000000101011 |
| 4.2ms     | 11100    | 000010000011 |
| 6.0ms     | 11100    | 000011000000 |
| 9.0ms     | 11100    | 000100100000 |

### PMBus Adjustable Soft Start Rise Time

The soft start rise time can be adjusted in the module via PMBus. When setting this parameter, make sure that the charging current for output capacitors can be delivered by the module in addition to any load current to avoid nuisance tripping of the overcurrent protection circuitry during startup. The TON\_RISE command sets the rise time in ms, and allows choosing soft start times between 600µs and 9ms, with possible values listed in Table 5. Note that the exponent is fixed at -4 (decimal) and the upper two bits of the mantissa are also fixed at 0.

## 7A Digital PicoDlynxII™: Non-Isolated DC-DC Power Modules

4.5Vdc –14.4Vdc input; 0.51Vdc to 5.5Vdc output; 7A Output Current

### Output Voltage Adjustment Using the PMBus

The VREF\_TRIM parameter is important for a number of PMBus commands related to output voltage trimming, and margining. Each of the 2 output voltages of the module can be set as the combination of the voltage divider formed by RTrim and a 20kΩ upper divider resistor inside the module, and the internal reference voltage of the module. The reference voltage VREF is be nominally set at 600mV, and the output regulation voltage is then given by:

$$V_{OUT} = \left[ \frac{20000 + RTrim}{RTrim} \right] \times V_{REF}$$

Hence the module output voltage is dependent on the value of RTrim which is connected external to the module.

The VREF\_TRIM parameter is used to apply a fixed offset voltage to the reference voltage can be specified using the “Linear” format and two bytes. The exponent is fixed at –9 (decimal). The resolution of the adjustment is 7 bits, with a resulting step size of approximately 0.4%. The maximum trim range is –20% to +10% of the nominal reference voltage(600mV) in 2mV steps. Possible values range from –120mV to +60mV. The exception is at 0.6Vout where the allowable trim range is only –90mV to +60mV to prevent the module from operating at lower than 0.51Vdc. When trimming the voltage below 0.6V, the module max. input voltage operating point also reduces proportionally. As shown earlier in Fig.41, the maximum permissible input voltage is 13V. For any voltage trimmed below 0.6V, the maximum input voltage will have to be reduced by the same factor.

When PMBus commands are used to trim or margin the output voltage, the value of VREF is what is changed inside the module, which in turn changes the regulated output voltage of the module.

The nominal output voltage of the module is adjustable with a minimum step size of 0.4% over a +10% to –20% range from nominal using the VREF\_TRIM command over the PMBus.

The VREF\_TRIM command can be used to apply a fixed offset voltage to either of the output voltage command value using the “Linear” mode with the exponent fixed at –9 (decimal). The value of the offset voltage is given by

$$V_{REF(Offset)} = VREF\_TRIM \times 2^{-9}$$

This offset voltage is added to the voltage set through the divider ratio and nominal VREF to produce the trimmed output voltage. If a value outside of the +10%/–20% adjustment range is given with this command, the module will set its output voltage to the upper or lower limit value (as if VOUT\_TRIM, assert SMBALRT#, set the CML bit in STATUS\_BYTE and the invalid data bit in STATUS\_CML.

#### Applications Example

For a design where the output voltage is 1.8V and the output needs to be trimmed down by 20mV.

- The internal reference voltage is 0.6V. So we need to determine how the 20mV translates to a change in the internal reference voltage.
- Divider Ratio =  $V_{ref}/V_{out} = 0.6/1.8 = 0.33$
- Hence a 20mV change at 1.8Vo requires a  $0.33 \times 20\text{mV} = 6.6\text{mV}$  change in the reference voltage.
- $V_{ref(Offset)} = -(6.6)/1000 = -0.0066$  Volts (- sign since we are trimming down)
- $V_{ref(Offset)} = V_{ref\_Trim} \times 2^{-9}$
- $V_{ref\_Trim} = V_{ref(Offset)} \times 512$
- $V_{ref\_Trim} = -0.0066 \times 512 = -3.3 = -3$  (rounded to nearest integer)

### Output Voltage Margining Using the PMBus

The module can also have its output margined via PMBus commands. The command STEP\_VREF\_MARGIN\_HIGH will set the margin high voltage, while the command STEP\_VREF\_MARGIN\_LOW sets the margin low voltage. Both the STEP\_VREF\_MARGIN\_HIGH and STEP\_VREF\_MARGIN\_LOW commands will use the “Linear” mode with the exponent fixed at –9 (decimal). Two bytes are used for the mantissa with the upper bit [7] of the high byte fixed at 0. The actual margined output voltage is a combination of the STEP\_VREF\_MARGIN\_HIGH or STEP\_VREF\_MARGIN\_LOW and the VREF\_TRIM values as shown below. The net permissible voltage range change is –30% to +10% for the margin high command and –20% to 0% for the margin low command

$$V_{REF(MH)} = (STEP\_VREF\_MARGIN\_HIGH + VREF\_TRIM) \times 2^{-9}$$

#### Applications Example

For a design where the output voltage is 1.2V and the output needs to be trimmed up by 100mV (within 10% of Vo).

- The internal reference voltage is 0.6V. So we need to determine how the 100mV translates to a change in the internal reference voltage.
- Divider Ratio =  $V_{ref}/V_{out} = 0.6/1.2 = 0.5$
- Hence a 100mV change at 1.2Vo requires a  $0.5 \times 100\text{mV} = 50\text{mV}$  change in the reference voltage.
- $V_{REF(MH)} = (50)/1000 = 0.05$  Volts
- $V_{REF(MH)} = (Step\_V_{ref\_margin\_high} + V_{ref\_trim}) \times 2^{-9}$
- Assume  $V_{ref\_Trim} = 0$  here
- $Step\_V_{ref\_margin\_high} = V_{REF(MH)} \times 512$
- $Step\_V_{ref\_margin\_high} = 0.05 \times 25.6 = 26$  (rounded to nearest integer)

$$V_{REF(ML)} = (STEP\_VREF\_MARGIN\_LOW + VREF\_TRIM) \times 2^{-9}$$

#### Applications Example

For a design where the output voltage is 1.8V and the output needs to be trimmed down by 100mV (within –20% of Vo).

- The internal reference voltage is 0.6V. So we need to determine how the 100mV translates to a change in the internal reference voltage.
- Divider Ratio =  $V_{ref}/V_{out} = 0.6/1.8 = 0.33$
- Hence a 100mV change at 1.2Vo requires a  $0.33 \times 100\text{mV} = 33\text{mV}$  change in the reference voltage.
- $V_{REF(MH)} = -(33)/1000 = -0.033$  Volts (- sign since we are margining down)

## 7A Digital PicoDlynxII™: Non-Isolated DC-DC Power Modules

4.5Vdc –14.4Vdc input; 0.51Vdc to 5.5Vdc output; 7A Output Current

- $V_{REF(ML)} = (\text{Step\_}V_{ref\_margin\_low} + V_{ref\_trim}) \times 2^{-9}$
- Assume  $V_{ref\_Trim} = -3$  here (from  $V_{Ref\_Trim}$  example earlier)
- $\text{Step\_}V_{ref\_margin\_low} = V_{REF(ML)} \times 512 - V_{ref\_trim}$
- $\text{Step\_}V_{ref\_margin\_low} = -0.033 \times 512 - (-3) = -16.9 + 3 = -13.9 = -14$  (rounded to nearest integer)

The module will support the margined high or low voltages using the OPERATION command. Bits [5:2] are used to enable margining as follows:

- 00XX : Margin Off
- 0101 : Margin Low (Act on Fault)
- 0110 : Margin Low (Act on Fault)
- 1001 : Margin High (Act on Fault)
- 1010 : Margin High (Act on Fault)

### PMBus Adjustable Overcurrent Warning

The module can provide an overcurrent warning via the PMBus. The threshold for the overcurrent warning can be set using the parameter IOUT\_OC\_WARN\_LIMIT. This command uses the “Linear” data format with a two byte data word where the upper five bits [7:3] of the high byte represent the exponent and the remaining three bits of the high byte [2:0] and the eight bits in the low byte represent the mantissa. The exponent is fixed at -1 (decimal). The upper five bits of the mantissa are fixed at 0 while the lower six bits are programmable with a default value of 19A (decimal). The resolution of this warning limit is 500mA. The value of the IOUT\_OC\_WARN\_LIMIT can be stored to non-volatile memory using the STORE\_DEFAULT\_ALL command

### Temperature Status via PMBus

The module will provide information related to temperature of the module through the READ\_TEMPERATURE\_2 command. The command returns external temperature in degrees Celsius. This command will use the “Linear” data format with a two byte data word where the upper five bits [7:3] of the high byte will represent the exponent and the remaining three bits of the high byte [2:0] and the eight bits in the low byte will represent the mantissa. The exponent is fixed at 0 (decimal). The lower 11 bits are the result of the ADC conversion of the external temperature

### PMBus Adjustable Output Over, Under Voltage Protection and Power Good

The module has a common command to set the PGOOD, VOUT\_UNDER\_VOLTAGE(UV) and VOUT\_OVER\_VOLTAGE(OV) limits as a percentage of nominal. Refer to Table 6 of the next section for the available settings. The PMBus command VOUT\_OVER\_VOLTAGE(OV) is used to set the output over voltage threshold from two possible values: +12.5% or +16.67% of the commanded output voltage for each output.

The module provides a Power Good (PGOOD) that is implemented with an open-drain output to indicate that the output voltage is within the regulation limits of the power module. The PGOOD signal is de-asserted to a low state if any condition such as overtemperature, overcurrent or loss

of regulation occurs that would result in the output voltage going outside the specified thresholds. The PGOOD thresholds are user selectable via the PMBus (the default values are as shown in the Feature Specifications Section). Each threshold is set up symmetrically above and below the nominal value. The PGL (POWERGOODLOW) command will set the output voltage level above which PGOOD is asserted (lower threshold). The PGH(POWERGOODHIGH) command will set the level above which the PGOOD command is de-asserted. This command will also set two thresholds symmetrically placed around the nominal output voltage. Normally, the PGL threshold is set higher than the PGH threshold.

The PGOOD terminal can be connected through a pullup resistor (suggested value 100KΩ) to a source of 5VDC or lower. The current through the PGood terminal should be limited to a max value of 5mA

### PMBus Adjustable Input Undervoltage Lockout

The module allows for adjustment of the input under voltage lockout and hysteresis. The command VIN\_ON allows setting the input voltage turn on threshold for each output, while the VIN\_OFF command will set the input voltage turn off threshold. For the VIN\_ON command, possible values are 4.25V to 16V in variable steps. For the VIN\_OFF command, possible values are 4V to 15.75V in 0.5V steps. If other values are entered for either command, they are mapped to the closest of the allowed values.

Both the VIN\_ON and VIN\_OFF commands use the “Linear” format with two data bytes. The upper five bits will represent the exponent (fixed at -2) and the remaining 11 bits will represent the mantissa. For the mantissa, the four most significant bits are fixed at 0.

### Measurement of Output Current and Voltage

The module is capable of measuring key module parameters such as output current and voltage and providing this information through the PMBus interface.

### Measuring Output Current Using the PMBus

The module measures current by using the inductor winding resistance as a current sense element. The inductor winding resistance is then the current gain factor used to scale the measured voltage into a current reading. This gain factor is the argument of the IOUT\_CAL\_GAIN command, and consists of two bytes in the linear data format. The exponent uses the upper five bits [7:3] of the high data byte in two's complement format and is fixed at -4 (decimal). The remaining 11 bits in two's complement binary format represent the mantissa. During manufacture, each module is calibrated by measuring and storing the current gain factor into non-volatile storage. DONOT CHANGE THE FACTORY PROGRAMMED VALUE.

The current measurement accuracy is also improved by each module being calibrated during manufacture with the offset in the current reading. The IOUT\_CAL\_OFFSET command is used to store and read the current offset. The argument for this command consists of two bytes composed of a 5-bit exponent (fixed at -4d) and a 11-bit

# 7A Digital PicoDlynxII™: Non-Isolated DC-DC Power Modules

4.5Vdc –14.4Vdc input; 0.51Vdc to 5.5Vdc output; 7A Output Current

mantissa. This command has a resolution of 62.5mA and a range of -4000mA to +3937.5mA. DONOT CHANGE THE FACTORY PROGRAMMED VALUE.

The READ\_IOUT command provides module average output current information. This command only supports positive or current sourced from the module. If the converter is sinking current a reading of 0 is provided. The READ\_IOUT command returns two bytes of data in the linear data format. The resolution of the command is 62.5mA. The exponent uses the upper five bits [7:3] of the high data byte in two's complement format and is fixed at -4 (decimal). The remaining 11 bits in two's complement binary format represent the mantissa with the 11<sup>th</sup> bit fixed at 0 since only positive numbers are considered valid.

### Measuring Output Voltage Using the PMBus

The module provides output voltage information using the READ\_VOUT command for each output. In this module the output voltage is sensed at the remote sense amplifier output pin so voltage drop to the load is not accounted for. The command will return two bytes of data all representing the mantissa while the exponent is fixed at -9 (decimal).

### Reading the Status of the Module using the PMBus

The module supports a number of status information commands implemented in PMBus. However, not all features are supported in these commands. A 1 in the bit position indicates the fault that is flagged.

STATUS\_BYTE : Returns one byte of information with a summary of the most critical device faults.

| Bit Position | Flag                     | Default Value |
|--------------|--------------------------|---------------|
| 7            | X                        | 0             |
| 6            | OFF                      | 0             |
| 5            | VOUT Overvoltage         | 0             |
| 4            | IOUT Overcurrent         | 0             |
| 3            | VIN Undervoltage         | 0             |
| 2            | Temperature              | 0             |
| 1            | CML (Comm. Memory Fault) | 0             |
| 0            | None of the above        | 0             |

STATUS\_WORD : Returns two bytes of information with a summary of the module's fault/warning conditions.

#### Low Byte

| Bit Position | Flag                     | Default Value |
|--------------|--------------------------|---------------|
| 7            | X                        | 0             |
| 6            | OFF                      | 0             |
| 5            | VOUT Overvoltage         | 0             |
| 4            | IOUT Overcurrent         | 0             |
| 3            | VIN Undervoltage         | 0             |
| 2            | Temperature              | 0             |
| 1            | CML (Comm. Memory Fault) | 0             |
| 0            | None of the above        | 0             |

#### High Byte

| Bit Position | Flag                     | Default Value |
|--------------|--------------------------|---------------|
| 7            | VOUT fault or warning    | 0             |
| 6            | IOUT fault or warning    | 0             |
| 5            | X                        | 0             |
| 4            | MFR                      | 0             |
| 3            | POWER_GOOD# (is negated) | 0             |
| 2            | X                        | 0             |
| 1            | X                        | 0             |
| 0            | X                        | 0             |

STATUS\_VOUT : Returns one byte of information relating to the status of the module's output voltage related faults.

| Bit Position | Flag          | Default Value |
|--------------|---------------|---------------|
| 7            | VOUT OV Fault | 0             |
| 6            | X             | 0             |
| 5            | X             | 0             |
| 4            | VOUT UV Fault | 0             |
| 3            | X             | 0             |
| 2            | X             | 0             |
| 1            | X             | 0             |
| 0            | X             | 0             |

STATUS\_IOUT : Returns one byte of information relating to the status of the module's output voltage related faults.

| Bit Position | Flag            | Default Value |
|--------------|-----------------|---------------|
| 7            | IOUT OC Fault   | 0             |
| 6            | X               | 0             |
| 5            | IOUT OC Warning | 0             |
| 4            | X               | 0             |
| 3            | X               | 0             |
| 2            | X               | 0             |
| 1            | X               | 0             |
| 0            | X               | 0             |

STATUS\_TEMPERATURE : Returns one byte of information relating to the status of the module's temperature related faults.

| Bit Position | Flag       | Default Value |
|--------------|------------|---------------|
| 7            | OT Fault   | 0             |
| 6            | OT Warning | 0             |
| 5            | X          | 0             |
| 4            | X          | 0             |
| 3            | X          | 0             |
| 2            | X          | 0             |
| 1            | X          | 0             |
| 0            | X          | 0             |

STATUS\_CML : Returns one byte of information relating to the status of the module's communication related faults.

| Bit Position | Flag                        | Default Value |
|--------------|-----------------------------|---------------|
| 7            | Invalid/Unsupported Command | 0             |

## 7A Digital PicoDLynxII™: Non-Isolated DC-DC Power Modules

4.5Vdc –14.4Vdc input; 0.51Vdc to 5.5Vdc output; 7A Output Current

|   |                             |   |
|---|-----------------------------|---|
| 6 | Invalid/Unsupported Command | 0 |
| 5 | Packet Error Check Failed   | 0 |
| 4 | Memory Fault Detected       | 0 |
| 3 | X                           | 0 |
| 2 | X                           | 0 |
| 1 | Other Communication Fault   | 0 |
| 0 | X                           | 0 |

MFR\_VIN\_MIN : Returns minimum input voltage as two data bytes of information in Linear format (upper five bits are exponent – fixed at -2, and lower 11 bits are mantissa in two's complement format – fixed at 12)

MFR\_VOUT\_MIN : Returns minimum output voltage as two data bytes of information in Linear format (upper five bits are exponent – fixed at -10, and lower 11 bits are mantissa in two's complement format – fixed at 614)

MFR\_SPECIFIC\_00 : Returns information related to the type of module and revision number. Bits [7:2] in the Low Byte indicate the module type (001111 corresponds to the PJT007 series of module), while bits [7:3] indicate the revision number of the module.

### Low Byte

| Bit Position | Flag        | Default Value |
|--------------|-------------|---------------|
| 7:2          | Module Name | 001111        |
| 1:0          | Reserved    | 10            |

### High Byte

| Bit Position | Flag                   | Default Value |
|--------------|------------------------|---------------|
| 7:3          | Module Revision Number | None          |
| 2:0          | Reserved               | 000           |



# 7A Digital PicoDlynxII™: Non-Isolated DC-DC Power Modules

4.5Vdc –14.4Vdc input; 0.51Vdc to 5.5Vdc output; 7A Output Current

## Summary of Supported PMBus Commands

Please refer to the PMBus 1.1 specification for more details of these commands.

**Table 6**

| Hex Code      | Command          | Brief Description   | Non-Volatile Memory Storage |                 |          |     |     |     |  |  |  |              |   |   |   |   |   |   |   |   |        |     |     |     |     |     |     |     |   |          |      |      |        |      |          |     |     |     |               |   |   |   |   |   |   |   |   |     |
|---------------|------------------|---|-----------------------------|-----------------|----------|-----|-----|-----|--|--|--|--------------|---|---|---|---|---|---|---|---|--------|-----|-----|-----|-----|-----|-----|-----|---|----------|------|------|--------|------|----------|-----|-----|-----|---------------|---|---|---|---|---|---|---|---|-----|
| 01            | OPERATION        | <p>Turn Module on or off. Also used to margin the output voltage</p> <table border="1"> <thead> <tr> <th>Format</th> <th colspan="8">Unsigned Binary</th> </tr> </thead> <tbody> <tr> <td>Bit Position</td> <td>7</td> <td>6</td> <td>5</td> <td>4</td> <td>3</td> <td>2</td> <td>1</td> <td>0</td> </tr> <tr> <td>Access</td> <td>r/w</td> <td>r</td> <td>r/w</td> <td>r/w</td> <td>r/w</td> <td>r/w</td> <td>r</td> <td>r</td> </tr> <tr> <td>Function</td> <td>On</td> <td>X</td> <td colspan="4">Margin</td> <td>X</td> <td>X</td> </tr> <tr> <td>Default Value</td> <td>0</td> <td>0</td> <td>0</td> <td>0</td> <td>0</td> <td>0</td> <td>X</td> <td>X</td> </tr> </tbody> </table> <p>Bit 7: 0 Output switching disabled<br/>                     1 Output switching enabled<br/>                     Margin: 00XX Margin Off<br/>                     0101 Margin Low (Act on fault)<br/>                     0110 Margin Low (Act on fault)<br/>                     1001 Margin High (Act on fault)<br/>                     1010 Margin High (Act on fault)</p>   | Format                      | Unsigned Binary |          |     |     |     |  |  |  | Bit Position | 7 | 6 | 5 | 4 | 3 | 2 | 1 | 0 | Access | r/w | r   | r/w | r/w | r/w | r/w | r   | r | Function | On   | X    | Margin |      |          |     | X   | X   | Default Value | 0 | 0 | 0 | 0 | 0 | 0 | X | X |     |
| Format        | Unsigned Binary  |   |                             |                 |          |     |     |     |  |  |  |              |   |   |   |   |   |   |   |   |        |     |     |     |     |     |     |     |   |          |      |      |        |      |          |     |     |     |               |   |   |   |   |   |   |   |   |     |
| Bit Position  | 7                | 6   | 5                           | 4               | 3        | 2   | 1   | 0   |  |  |  |              |   |   |   |   |   |   |   |   |        |     |     |     |     |     |     |     |   |          |      |      |        |      |          |     |     |     |               |   |   |   |   |   |   |   |   |     |
| Access        | r/w              | r   | r/w                         | r/w             | r/w      | r/w | r   | r   |  |  |  |              |   |   |   |   |   |   |   |   |        |     |     |     |     |     |     |     |   |          |      |      |        |      |          |     |     |     |               |   |   |   |   |   |   |   |   |     |
| Function      | On               | X   | Margin                      |                 |          |     | X   | X   |  |  |  |              |   |   |   |   |   |   |   |   |        |     |     |     |     |     |     |     |   |          |      |      |        |      |          |     |     |     |               |   |   |   |   |   |   |   |   |     |
| Default Value | 0                | 0   | 0                           | 0               | 0        | 0   | X   | X   |  |  |  |              |   |   |   |   |   |   |   |   |        |     |     |     |     |     |     |     |   |          |      |      |        |      |          |     |     |     |               |   |   |   |   |   |   |   |   |     |
| 02            | ON_OFF_CONFIG    | <p>Configures the ON/OFF functionality as a combination of analog ON/OFF pin and PMBus commands</p> <table border="1"> <thead> <tr> <th>Format</th> <th colspan="8">Unsigned Binary</th> </tr> </thead> <tbody> <tr> <td>Bit Position</td> <td>7</td> <td>6</td> <td>5</td> <td>4</td> <td>3</td> <td>2</td> <td>1</td> <td>0</td> </tr> <tr> <td>Access</td> <td>r</td> <td>r</td> <td>r</td> <td>r/w</td> <td>r/w</td> <td>r/w</td> <td>r/w</td> <td>r</td> </tr> <tr> <td>Function</td> <td>X</td> <td>X</td> <td>X</td> <td>pu</td> <td>cmd</td> <td>cpr</td> <td>pol</td> <td>cpa</td> </tr> <tr> <td>Default Value</td> <td>0</td> <td>0</td> <td>0</td> <td>1</td> <td>0</td> <td>1</td> <td>1</td> <td>0</td> </tr> </tbody> </table> <p>Refer to Page 19 for details on pu, cmd, cpr, pol and cpa</p>  | Format                      | Unsigned Binary |          |     |     |     |  |  |  | Bit Position | 7 | 6 | 5 | 4 | 3 | 2 | 1 | 0 | Access | r   | r   | r   | r/w | r/w | r/w | r/w | r | Function | X    | X    | X      | pu   | cmd      | cpr | pol | cpa | Default Value | 0 | 0 | 0 | 1 | 0 | 1 | 1 | 0 | YES |
| Format        | Unsigned Binary  |   |                             |                 |          |     |     |     |  |  |  |              |   |   |   |   |   |   |   |   |        |     |     |     |     |     |     |     |   |          |      |      |        |      |          |     |     |     |               |   |   |   |   |   |   |   |   |     |
| Bit Position  | 7                | 6   | 5                           | 4               | 3        | 2   | 1   | 0   |  |  |  |              |   |   |   |   |   |   |   |   |        |     |     |     |     |     |     |     |   |          |      |      |        |      |          |     |     |     |               |   |   |   |   |   |   |   |   |     |
| Access        | r                | r   | r                           | r/w             | r/w      | r/w | r/w | r   |  |  |  |              |   |   |   |   |   |   |   |   |        |     |     |     |     |     |     |     |   |          |      |      |        |      |          |     |     |     |               |   |   |   |   |   |   |   |   |     |
| Function      | X                | X   | X                           | pu              | cmd      | cpr | pol | cpa |  |  |  |              |   |   |   |   |   |   |   |   |        |     |     |     |     |     |     |     |   |          |      |      |        |      |          |     |     |     |               |   |   |   |   |   |   |   |   |     |
| Default Value | 0                | 0   | 0                           | 1               | 0        | 1   | 1   | 0   |  |  |  |              |   |   |   |   |   |   |   |   |        |     |     |     |     |     |     |     |   |          |      |      |        |      |          |     |     |     |               |   |   |   |   |   |   |   |   |     |
| 03            | CLEAR_FAULTS     | Clear any fault bits that may have been set, also releases the SMBALERT# signal if the device has been asserting it.  |                             |                 |          |     |     |     |  |  |  |              |   |   |   |   |   |   |   |   |        |     |     |     |     |     |     |     |   |          |      |      |        |      |          |     |     |     |               |   |   |   |   |   |   |   |   |     |
| 10            | WRITE_PROTECT    | <p>Used to control writing to the module via PMBus. Copies the current register setting in the module whose command code matches the value in the data byte into non-volatile memory (EEPROM) on the module</p> <table border="1"> <thead> <tr> <th>Format</th> <th colspan="8">Unsigned Binary</th> </tr> </thead> <tbody> <tr> <td>Bit Position</td> <td>7</td> <td>6</td> <td>5</td> <td>4</td> <td>3</td> <td>2</td> <td>1</td> <td>0</td> </tr> <tr> <td>Access</td> <td>r/w</td> <td>r/w</td> <td>r/w</td> <td>x</td> <td>x</td> <td>x</td> <td>x</td> <td>x</td> </tr> <tr> <td>Function</td> <td>bit7</td> <td>bit6</td> <td>bit5</td> <td>X</td> <td>X</td> <td>X</td> <td>X</td> <td>X</td> </tr> <tr> <td>Default Value</td> <td>0</td> <td>0</td> <td>0</td> <td>X</td> <td>X</td> <td>X</td> <td>X</td> <td>X</td> </tr> </tbody> </table> <p>Bit5: 0 – Enables all writes as permitted in bit6 or bit7<br/>                     1 – Disables all writes except the WRITE_PROTECT, PAGE OPERATION and ON_OFF_CONFIG (bit 6 and bit7 must be 0)<br/>                     Bit 6: 0 – Enables all writes as permitted in bit5 or bit7<br/>                     1 – Disables all writes except for the WRITE_PROTECT, PAGE and OPERATION commands (bit5 and bit7 must be 0)<br/>                     Bit7: 0 – Enables all writes as permitted in bit5 or bit6<br/>                     1 – Disables all writes except for the WRITE_PROTECT command (bit5 and bit6 must be 0)</p> | Format                      | Unsigned Binary |          |     |     |     |  |  |  | Bit Position | 7 | 6 | 5 | 4 | 3 | 2 | 1 | 0 | Access | r/w | r/w | r/w | x   | x   | x   | x   | x | Function | bit7 | bit6 | bit5   | X    | X        | X   | X   | X   | Default Value | 0 | 0 | 0 | X | X | X | X | X | YES |
| Format        | Unsigned Binary  |   |                             |                 |          |     |     |     |  |  |  |              |   |   |   |   |   |   |   |   |        |     |     |     |     |     |     |     |   |          |      |      |        |      |          |     |     |     |               |   |   |   |   |   |   |   |   |     |
| Bit Position  | 7                | 6   | 5                           | 4               | 3        | 2   | 1   | 0   |  |  |  |              |   |   |   |   |   |   |   |   |        |     |     |     |     |     |     |     |   |          |      |      |        |      |          |     |     |     |               |   |   |   |   |   |   |   |   |     |
| Access        | r/w              | r/w   | r/w                         | x               | x        | x   | x   | x   |  |  |  |              |   |   |   |   |   |   |   |   |        |     |     |     |     |     |     |     |   |          |      |      |        |      |          |     |     |     |               |   |   |   |   |   |   |   |   |     |
| Function      | bit7             | bit6  | bit5                        | X               | X        | X   | X   | X   |  |  |  |              |   |   |   |   |   |   |   |   |        |     |     |     |     |     |     |     |   |          |      |      |        |      |          |     |     |     |               |   |   |   |   |   |   |   |   |     |
| Default Value | 0                | 0   | 0                           | X               | X        | X   | X   | X   |  |  |  |              |   |   |   |   |   |   |   |   |        |     |     |     |     |     |     |     |   |          |      |      |        |      |          |     |     |     |               |   |   |   |   |   |   |   |   |     |
| 15            | STORE_USER_ALL   | Stores all of the current storable register settings in the EEPROM memory as the new defaults on power up   |                             |                 |          |     |     |     |  |  |  |              |   |   |   |   |   |   |   |   |        |     |     |     |     |     |     |     |   |          |      |      |        |      |          |     |     |     |               |   |   |   |   |   |   |   |   |     |
| 16            | RESTORE_USER_ALL | Restores all of the storable register settings from the non-volatile memory (EEPROM). The command should not be used while the device is actively switching   |                             |                 |          |     |     |     |  |  |  |              |   |   |   |   |   |   |   |   |        |     |     |     |     |     |     |     |   |          |      |      |        |      |          |     |     |     |               |   |   |   |   |   |   |   |   |     |
| 19            | CAPABILITY       | <p>This command helps the host system/GUI/CLI determine key capabilities of the module</p> <table border="1"> <thead> <tr> <th>Format</th> <th colspan="8">Unsigned Binary</th> </tr> </thead> <tbody> <tr> <td>Bit Position</td> <td>7</td> <td>6</td> <td>5</td> <td>4</td> <td>3</td> <td>2</td> <td>1</td> <td>0</td> </tr> <tr> <td>Access</td> <td>r</td> <td>r</td> <td>r</td> <td>r</td> <td>r</td> <td>r</td> <td>r</td> <td>r</td> </tr> <tr> <td>Function</td> <td>PEC</td> <td colspan="2">SPD</td> <td>ALRT</td> <td colspan="4">Reserved</td> </tr> <tr> <td>Default Value</td> <td>1</td> <td>0</td> <td>1</td> <td>1</td> <td>0</td> <td>0</td> <td>0</td> <td>0</td> </tr> </tbody> </table> <p>PEC – 1 Supported<br/>                     SPD -01 – max of 400kHz<br/>                     ALRT – 1 – SMBALERT# supported</p>   | Format                      | Unsigned Binary |          |     |     |     |  |  |  | Bit Position | 7 | 6 | 5 | 4 | 3 | 2 | 1 | 0 | Access | r   | r   | r   | r   | r   | r   | r   | r | Function | PEC  | SPD  |        | ALRT | Reserved |     |     |     | Default Value | 1 | 0 | 1 | 1 | 0 | 0 | 0 | 0 |     |
| Format        | Unsigned Binary  |   |                             |                 |          |     |     |     |  |  |  |              |   |   |   |   |   |   |   |   |        |     |     |     |     |     |     |     |   |          |      |      |        |      |          |     |     |     |               |   |   |   |   |   |   |   |   |     |
| Bit Position  | 7                | 6   | 5                           | 4               | 3        | 2   | 1   | 0   |  |  |  |              |   |   |   |   |   |   |   |   |        |     |     |     |     |     |     |     |   |          |      |      |        |      |          |     |     |     |               |   |   |   |   |   |   |   |   |     |
| Access        | r                | r   | r                           | r               | r        | r   | r   | r   |  |  |  |              |   |   |   |   |   |   |   |   |        |     |     |     |     |     |     |     |   |          |      |      |        |      |          |     |     |     |               |   |   |   |   |   |   |   |   |     |
| Function      | PEC              | SPD   |                             | ALRT            | Reserved |     |     |     |  |  |  |              |   |   |   |   |   |   |   |   |        |     |     |     |     |     |     |     |   |          |      |      |        |      |          |     |     |     |               |   |   |   |   |   |   |   |   |     |
| Default Value | 1                | 0   | 1                           | 1               | 0        | 0   | 0   | 0   |  |  |  |              |   |   |   |   |   |   |   |   |        |     |     |     |     |     |     |     |   |          |      |      |        |      |          |     |     |     |               |   |   |   |   |   |   |   |   |     |

# 7A Digital PicoDlynxII™: Non-Isolated DC-DC Power Modules

4.5Vdc –14.4Vdc input; 0.51Vdc to 5.5Vdc output; 7A Output Current

| Hex Code      | Command                                  | Brief Description  | Non-Volatile Memory Storage |                                 |          |     |     |     |   |   |   |              |   |   |   |   |   |   |   |   |          |      |   |   |   |          |   |   |     |               |          |   |   |   |          |   |   |   |               |   |   |   |   |   |   |   |   |              |   |   |   |   |   |   |   |   |        |     |     |     |     |     |     |     |     |          |          |  |  |  |  |  |  |  |               |  |   |   |   |   |   |   |   |     |
|---------------|--|--|-----------------------------|---------------------------------|----------|-----|-----|-----|---|---|---|--------------|---|---|---|---|---|---|---|---|----------|------|---|---|---|----------|---|---|-----|---------------|----------|---|---|---|----------|---|---|---|---------------|---|---|---|---|---|---|---|---|--------------|---|---|---|---|---|---|---|---|--------|-----|-----|-----|-----|-----|-----|-----|-----|----------|----------|--|--|--|--|--|--|--|---------------|--|---|---|---|---|---|---|---|-----|
| 20            | VOUT_MODE                                | <p>The module has MODE set to Linear and Exponent set to -10. These values cannot be changed</p> <table border="1"> <thead> <tr> <th>Bit Position</th> <td>7</td> <td>6</td> <td>5</td> <td>4</td> <td>3</td> <td>2</td> <td>1</td> <td>0</td> </tr> </thead> <tbody> <tr> <th>Access</th> <td>r</td> <td>r</td> <td>r</td> <td>r</td> <td>r</td> <td>r</td> <td>r</td> <td>r</td> </tr> <tr> <th>Function</th> <td colspan="4">Mode</td> <td colspan="4">Exponent</td> </tr> <tr> <th>Default Value</th> <td>0</td> <td>0</td> <td>0</td> <td>1</td> <td>0</td> <td>1</td> <td>1</td> <td>1</td> </tr> </tbody> </table> <p>Mode: Value fixed at 000, linear mode<br/>Exponent: Value fixed at 10111, Exponent for linear mode values is -9</p>   | Bit Position                | 7                               | 6        | 5   | 4   | 3   | 2 | 1 | 0 | Access       | r | r | r | r | r | r | r | r | Function | Mode |   |   |   | Exponent |   |   |     | Default Value | 0        | 0 | 0 | 1 | 0        | 1 | 1 | 1 |               |   |   |   |   |   |   |   |   |              |   |   |   |   |   |   |   |   |        |     |     |     |     |     |     |     |     |          |          |  |  |  |  |  |  |  |               |  |   |   |   |   |   |   |   |     |
| Bit Position  | 7  | 6  | 5                           | 4                               | 3        | 2   | 1   | 0   |   |   |   |              |   |   |   |   |   |   |   |   |          |      |   |   |   |          |   |   |     |               |          |   |   |   |          |   |   |   |               |   |   |   |   |   |   |   |   |              |   |   |   |   |   |   |   |   |        |     |     |     |     |     |     |     |     |          |          |  |  |  |  |  |  |  |               |  |   |   |   |   |   |   |   |     |
| Access        | r  | r  | r                           | r                               | r        | r   | r   | r   |   |   |   |              |   |   |   |   |   |   |   |   |          |      |   |   |   |          |   |   |     |               |          |   |   |   |          |   |   |   |               |   |   |   |   |   |   |   |   |              |   |   |   |   |   |   |   |   |        |     |     |     |     |     |     |     |     |          |          |  |  |  |  |  |  |  |               |  |   |   |   |   |   |   |   |     |
| Function      | Mode                                     |  |                             |                                 | Exponent |     |     |     |   |   |   |              |   |   |   |   |   |   |   |   |          |      |   |   |   |          |   |   |     |               |          |   |   |   |          |   |   |   |               |   |   |   |   |   |   |   |   |              |   |   |   |   |   |   |   |   |        |     |     |     |     |     |     |     |     |          |          |  |  |  |  |  |  |  |               |  |   |   |   |   |   |   |   |     |
| Default Value | 0  | 0  | 0                           | 1                               | 0        | 1   | 1   | 1   |   |   |   |              |   |   |   |   |   |   |   |   |          |      |   |   |   |          |   |   |     |               |          |   |   |   |          |   |   |   |               |   |   |   |   |   |   |   |   |              |   |   |   |   |   |   |   |   |        |     |     |     |     |     |     |     |     |          |          |  |  |  |  |  |  |  |               |  |   |   |   |   |   |   |   |     |
| 35            | VIN_ON                                   | <p>Sets the value of input voltage at which the module turns on</p> <table border="1"> <thead> <tr> <th>Format</th> <td colspan="8">Linear, two's complement binary</td> </tr> </thead> <tbody> <tr> <th>Bit Position</th> <td>7</td> <td>6</td> <td>5</td> <td>4</td> <td>3</td> <td>2</td> <td>1</td> <td>0</td> </tr> <tr> <th>Access</th> <td>r</td> <td>r</td> <td>r</td> <td>r</td> <td>r</td> <td>r</td> <td>r</td> <td>r</td> </tr> <tr> <th>Function</th> <td colspan="4">Exponent</td> <td colspan="4">Mantissa</td> </tr> <tr> <th>Default Value</th> <td>1</td> <td>1</td> <td>1</td> <td>1</td> <td>0</td> <td>0</td> <td>0</td> <td>0</td> </tr> <tr> <th>Bit Position</th> <td>7</td> <td>6</td> <td>5</td> <td>4</td> <td>3</td> <td>2</td> <td>1</td> <td>0</td> </tr> <tr> <th>Access</th> <td>r</td> <td>r/w</td> <td>r/w</td> <td>r/w</td> <td>r/w</td> <td>r/w</td> <td>r/w</td> <td>r/w</td> </tr> <tr> <th>Function</th> <td colspan="8">Mantissa</td> </tr> <tr> <th>Default Value</th> <td>0</td> <td>0</td> <td>0</td> <td>1</td> <td>0</td> <td>0</td> <td>0</td> <td>1</td> </tr> </tbody> </table> <p>Exponent -2 (dec), fixed<br/>Mantissa<br/>The upper four bits are fixed at 0<br/>The lower seven are programmable with a default value of 9(dec). This corresponds to a default of 4.25V. Allowable values are</p> <ul style="list-style-type: none"> <li>• 4.25, in steps of 0.25V upto 9.5V.</li> <li>• 9.5V to 13V in increments of 0.5V</li> <li>• 13V to 16V in increments of 1V</li> </ul>                                | Format                      | Linear, two's complement binary |          |     |     |     |   |   |   | Bit Position | 7 | 6 | 5 | 4 | 3 | 2 | 1 | 0 | Access   | r    | r | r | r | r        | r | r | r   | Function      | Exponent |   |   |   | Mantissa |   |   |   | Default Value | 1 | 1 | 1 | 1 | 0 | 0 | 0 | 0 | Bit Position | 7 | 6 | 5 | 4 | 3 | 2 | 1 | 0 | Access | r   | r/w | r/w | r/w | r/w | r/w | r/w | r/w | Function | Mantissa |  |  |  |  |  |  |  | Default Value | 0  | 0 | 0 | 1 | 0 | 0 | 0 | 1 | YES |
| Format        | Linear, two's complement binary          |  |                             |                                 |          |     |     |     |   |   |   |              |   |   |   |   |   |   |   |   |          |      |   |   |   |          |   |   |     |               |          |   |   |   |          |   |   |   |               |   |   |   |   |   |   |   |   |              |   |   |   |   |   |   |   |   |        |     |     |     |     |     |     |     |     |          |          |  |  |  |  |  |  |  |               |  |   |   |   |   |   |   |   |     |
| Bit Position  | 7  | 6  | 5                           | 4                               | 3        | 2   | 1   | 0   |   |   |   |              |   |   |   |   |   |   |   |   |          |      |   |   |   |          |   |   |     |               |          |   |   |   |          |   |   |   |               |   |   |   |   |   |   |   |   |              |   |   |   |   |   |   |   |   |        |     |     |     |     |     |     |     |     |          |          |  |  |  |  |  |  |  |               |  |   |   |   |   |   |   |   |     |
| Access        | r  | r  | r                           | r                               | r        | r   | r   | r   |   |   |   |              |   |   |   |   |   |   |   |   |          |      |   |   |   |          |   |   |     |               |          |   |   |   |          |   |   |   |               |   |   |   |   |   |   |   |   |              |   |   |   |   |   |   |   |   |        |     |     |     |     |     |     |     |     |          |          |  |  |  |  |  |  |  |               |  |   |   |   |   |   |   |   |     |
| Function      | Exponent                                 |  |                             |                                 | Mantissa |     |     |     |   |   |   |              |   |   |   |   |   |   |   |   |          |      |   |   |   |          |   |   |     |               |          |   |   |   |          |   |   |   |               |   |   |   |   |   |   |   |   |              |   |   |   |   |   |   |   |   |        |     |     |     |     |     |     |     |     |          |          |  |  |  |  |  |  |  |               |  |   |   |   |   |   |   |   |     |
| Default Value | 1  | 1  | 1                           | 1                               | 0        | 0   | 0   | 0   |   |   |   |              |   |   |   |   |   |   |   |   |          |      |   |   |   |          |   |   |     |               |          |   |   |   |          |   |   |   |               |   |   |   |   |   |   |   |   |              |   |   |   |   |   |   |   |   |        |     |     |     |     |     |     |     |     |          |          |  |  |  |  |  |  |  |               |  |   |   |   |   |   |   |   |     |
| Bit Position  | 7  | 6  | 5                           | 4                               | 3        | 2   | 1   | 0   |   |   |   |              |   |   |   |   |   |   |   |   |          |      |   |   |   |          |   |   |     |               |          |   |   |   |          |   |   |   |               |   |   |   |   |   |   |   |   |              |   |   |   |   |   |   |   |   |        |     |     |     |     |     |     |     |     |          |          |  |  |  |  |  |  |  |               |  |   |   |   |   |   |   |   |     |
| Access        | r  | r/w  | r/w                         | r/w                             | r/w      | r/w | r/w | r/w |   |   |   |              |   |   |   |   |   |   |   |   |          |      |   |   |   |          |   |   |     |               |          |   |   |   |          |   |   |   |               |   |   |   |   |   |   |   |   |              |   |   |   |   |   |   |   |   |        |     |     |     |     |     |     |     |     |          |          |  |  |  |  |  |  |  |               |  |   |   |   |   |   |   |   |     |
| Function      | Mantissa                                 |  |                             |                                 |          |     |     |     |   |   |   |              |   |   |   |   |   |   |   |   |          |      |   |   |   |          |   |   |     |               |          |   |   |   |          |   |   |   |               |   |   |   |   |   |   |   |   |              |   |   |   |   |   |   |   |   |        |     |     |     |     |     |     |     |     |          |          |  |  |  |  |  |  |  |               |  |   |   |   |   |   |   |   |     |
| Default Value | 0  | 0  | 0                           | 1                               | 0        | 0   | 0   | 1   |   |   |   |              |   |   |   |   |   |   |   |   |          |      |   |   |   |          |   |   |     |               |          |   |   |   |          |   |   |   |               |   |   |   |   |   |   |   |   |              |   |   |   |   |   |   |   |   |        |     |     |     |     |     |     |     |     |          |          |  |  |  |  |  |  |  |               |  |   |   |   |   |   |   |   |     |
| 36            | VIN_OFF                                  | <p>Sets the value of input voltage at which the module turns off</p> <table border="1"> <thead> <tr> <th>Format</th> <td colspan="8">Linear, two's complement binary</td> </tr> </thead> <tbody> <tr> <th>Bit Position</th> <td>7</td> <td>6</td> <td>5</td> <td>4</td> <td>3</td> <td>2</td> <td>1</td> <td>0</td> </tr> <tr> <th>Access</th> <td>r</td> <td>r</td> <td>r</td> <td>r</td> <td>r</td> <td>r</td> <td>r</td> <td>r</td> </tr> <tr> <th>Function</th> <td colspan="4">Exponent</td> <td colspan="4">Mantissa</td> </tr> <tr> <th>Default Value</th> <td>1</td> <td>1</td> <td>1</td> <td>1</td> <td>0</td> <td>0</td> <td>0</td> <td>0</td> </tr> <tr> <th>Bit Position</th> <td>7</td> <td>6</td> <td>5</td> <td>4</td> <td>3</td> <td>2</td> <td>1</td> <td>0</td> </tr> <tr> <th>Access</th> <td>r</td> <td>r/w</td> <td>r/w</td> <td>r/w</td> <td>r/w</td> <td>r/w</td> <td>r/w</td> <td>r/w</td> </tr> <tr> <th>Function</th> <td colspan="8">Mantissa</td> </tr> <tr> <th>Default Value</th> <td>0</td> <td>0</td> <td>0</td> <td>0</td> <td>1</td> <td>0</td> <td>0</td> <td>0</td> </tr> </tbody> </table> <p>Exponent -2 (dec), fixed<br/>Mantissa<br/>The upper four bits are fixed at 0<br/>The lower seven are programmable with a default value of 8(dec). This corresponds to a default of 4.0V.<br/>Allowable values are</p> <ul style="list-style-type: none"> <li>• 4.00, in steps of 0.25V upto 9.75V.</li> <li>• 10.25V to 11.75V in increments of 0.5V</li> <li>• 12V</li> <li>• 13.75V to 15.75V in increments of 1V</li> </ul> | Format                      | Linear, two's complement binary |          |     |     |     |   |   |   | Bit Position | 7 | 6 | 5 | 4 | 3 | 2 | 1 | 0 | Access   | r    | r | r | r | r        | r | r | r   | Function      | Exponent |   |   |   | Mantissa |   |   |   | Default Value | 1 | 1 | 1 | 1 | 0 | 0 | 0 | 0 | Bit Position | 7 | 6 | 5 | 4 | 3 | 2 | 1 | 0 | Access | r   | r/w | r/w | r/w | r/w | r/w | r/w | r/w | Function | Mantissa |  |  |  |  |  |  |  | Default Value | 0  | 0 | 0 | 0 | 1 | 0 | 0 | 0 | YES |
| Format        | Linear, two's complement binary          |  |                             |                                 |          |     |     |     |   |   |   |              |   |   |   |   |   |   |   |   |          |      |   |   |   |          |   |   |     |               |          |   |   |   |          |   |   |   |               |   |   |   |   |   |   |   |   |              |   |   |   |   |   |   |   |   |        |     |     |     |     |     |     |     |     |          |          |  |  |  |  |  |  |  |               |  |   |   |   |   |   |   |   |     |
| Bit Position  | 7  | 6  | 5                           | 4                               | 3        | 2   | 1   | 0   |   |   |   |              |   |   |   |   |   |   |   |   |          |      |   |   |   |          |   |   |     |               |          |   |   |   |          |   |   |   |               |   |   |   |   |   |   |   |   |              |   |   |   |   |   |   |   |   |        |     |     |     |     |     |     |     |     |          |          |  |  |  |  |  |  |  |               |  |   |   |   |   |   |   |   |     |
| Access        | r  | r  | r                           | r                               | r        | r   | r   | r   |   |   |   |              |   |   |   |   |   |   |   |   |          |      |   |   |   |          |   |   |     |               |          |   |   |   |          |   |   |   |               |   |   |   |   |   |   |   |   |              |   |   |   |   |   |   |   |   |        |     |     |     |     |     |     |     |     |          |          |  |  |  |  |  |  |  |               |  |   |   |   |   |   |   |   |     |
| Function      | Exponent                                 |  |                             |                                 | Mantissa |     |     |     |   |   |   |              |   |   |   |   |   |   |   |   |          |      |   |   |   |          |   |   |     |               |          |   |   |   |          |   |   |   |               |   |   |   |   |   |   |   |   |              |   |   |   |   |   |   |   |   |        |     |     |     |     |     |     |     |     |          |          |  |  |  |  |  |  |  |               |  |   |   |   |   |   |   |   |     |
| Default Value | 1  | 1  | 1                           | 1                               | 0        | 0   | 0   | 0   |   |   |   |              |   |   |   |   |   |   |   |   |          |      |   |   |   |          |   |   |     |               |          |   |   |   |          |   |   |   |               |   |   |   |   |   |   |   |   |              |   |   |   |   |   |   |   |   |        |     |     |     |     |     |     |     |     |          |          |  |  |  |  |  |  |  |               |  |   |   |   |   |   |   |   |     |
| Bit Position  | 7  | 6  | 5                           | 4                               | 3        | 2   | 1   | 0   |   |   |   |              |   |   |   |   |   |   |   |   |          |      |   |   |   |          |   |   |     |               |          |   |   |   |          |   |   |   |               |   |   |   |   |   |   |   |   |              |   |   |   |   |   |   |   |   |        |     |     |     |     |     |     |     |     |          |          |  |  |  |  |  |  |  |               |  |   |   |   |   |   |   |   |     |
| Access        | r  | r/w  | r/w                         | r/w                             | r/w      | r/w | r/w | r/w |   |   |   |              |   |   |   |   |   |   |   |   |          |      |   |   |   |          |   |   |     |               |          |   |   |   |          |   |   |   |               |   |   |   |   |   |   |   |   |              |   |   |   |   |   |   |   |   |        |     |     |     |     |     |     |     |     |          |          |  |  |  |  |  |  |  |               |  |   |   |   |   |   |   |   |     |
| Function      | Mantissa                                 |  |                             |                                 |          |     |     |     |   |   |   |              |   |   |   |   |   |   |   |   |          |      |   |   |   |          |   |   |     |               |          |   |   |   |          |   |   |   |               |   |   |   |   |   |   |   |   |              |   |   |   |   |   |   |   |   |        |     |     |     |     |     |     |     |     |          |          |  |  |  |  |  |  |  |               |  |   |   |   |   |   |   |   |     |
| Default Value | 0  | 0  | 0                           | 0                               | 1        | 0   | 0   | 0   |   |   |   |              |   |   |   |   |   |   |   |   |          |      |   |   |   |          |   |   |     |               |          |   |   |   |          |   |   |   |               |   |   |   |   |   |   |   |   |              |   |   |   |   |   |   |   |   |        |     |     |     |     |     |     |     |     |          |          |  |  |  |  |  |  |  |               |  |   |   |   |   |   |   |   |     |
| 38            | IOUT_CAL_GAIN                            | <p>Returns the value of the gain correction term used to correct the measured output current</p> <table border="1"> <thead> <tr> <th>Format</th> <td colspan="8">Linear, two's complement binary</td> </tr> </thead> <tbody> <tr> <th>Bit Position</th> <td>7</td> <td>6</td> <td>5</td> <td>4</td> <td>3</td> <td>2</td> <td>1</td> <td>0</td> </tr> <tr> <th>Access</th> <td>r</td> <td>r</td> <td>r</td> <td>r</td> <td>r</td> <td>r</td> <td>r</td> <td>r/w</td> </tr> <tr> <th>Function</th> <td colspan="4">Exponent</td> <td colspan="4">Mantissa</td> </tr> <tr> <th>Default Value</th> <td>1</td> <td>0</td> <td>0</td> <td>0</td> <td>1</td> <td>0</td> <td>0</td> <td>V</td> </tr> <tr> <th>Bit Position</th> <td>7</td> <td>6</td> <td>5</td> <td>4</td> <td>3</td> <td>2</td> <td>1</td> <td>0</td> </tr> <tr> <th>Access</th> <td>r/w</td> <td>r/w</td> <td>r/w</td> <td>r/w</td> <td>r/w</td> <td>r/w</td> <td>r/w</td> <td>r/w</td> </tr> <tr> <th>Function</th> <td colspan="8">Mantissa</td> </tr> <tr> <th>Default Value</th> <td colspan="8">V: Variable based on factory calibration</td> </tr> </tbody> </table>   | Format                      | Linear, two's complement binary |          |     |     |     |   |   |   | Bit Position | 7 | 6 | 5 | 4 | 3 | 2 | 1 | 0 | Access   | r    | r | r | r | r        | r | r | r/w | Function      | Exponent |   |   |   | Mantissa |   |   |   | Default Value | 1 | 0 | 0 | 0 | 1 | 0 | 0 | V | Bit Position | 7 | 6 | 5 | 4 | 3 | 2 | 1 | 0 | Access | r/w | r/w | r/w | r/w | r/w | r/w | r/w | r/w | Function | Mantissa |  |  |  |  |  |  |  | Default Value | V: Variable based on factory calibration |   |   |   |   |   |   |   | YES |
| Format        | Linear, two's complement binary          |  |                             |                                 |          |     |     |     |   |   |   |              |   |   |   |   |   |   |   |   |          |      |   |   |   |          |   |   |     |               |          |   |   |   |          |   |   |   |               |   |   |   |   |   |   |   |   |              |   |   |   |   |   |   |   |   |        |     |     |     |     |     |     |     |     |          |          |  |  |  |  |  |  |  |               |  |   |   |   |   |   |   |   |     |
| Bit Position  | 7  | 6  | 5                           | 4                               | 3        | 2   | 1   | 0   |   |   |   |              |   |   |   |   |   |   |   |   |          |      |   |   |   |          |   |   |     |               |          |   |   |   |          |   |   |   |               |   |   |   |   |   |   |   |   |              |   |   |   |   |   |   |   |   |        |     |     |     |     |     |     |     |     |          |          |  |  |  |  |  |  |  |               |  |   |   |   |   |   |   |   |     |
| Access        | r  | r  | r                           | r                               | r        | r   | r   | r/w |   |   |   |              |   |   |   |   |   |   |   |   |          |      |   |   |   |          |   |   |     |               |          |   |   |   |          |   |   |   |               |   |   |   |   |   |   |   |   |              |   |   |   |   |   |   |   |   |        |     |     |     |     |     |     |     |     |          |          |  |  |  |  |  |  |  |               |  |   |   |   |   |   |   |   |     |
| Function      | Exponent                                 |  |                             |                                 | Mantissa |     |     |     |   |   |   |              |   |   |   |   |   |   |   |   |          |      |   |   |   |          |   |   |     |               |          |   |   |   |          |   |   |   |               |   |   |   |   |   |   |   |   |              |   |   |   |   |   |   |   |   |        |     |     |     |     |     |     |     |     |          |          |  |  |  |  |  |  |  |               |  |   |   |   |   |   |   |   |     |
| Default Value | 1  | 0  | 0                           | 0                               | 1        | 0   | 0   | V   |   |   |   |              |   |   |   |   |   |   |   |   |          |      |   |   |   |          |   |   |     |               |          |   |   |   |          |   |   |   |               |   |   |   |   |   |   |   |   |              |   |   |   |   |   |   |   |   |        |     |     |     |     |     |     |     |     |          |          |  |  |  |  |  |  |  |               |  |   |   |   |   |   |   |   |     |
| Bit Position  | 7  | 6  | 5                           | 4                               | 3        | 2   | 1   | 0   |   |   |   |              |   |   |   |   |   |   |   |   |          |      |   |   |   |          |   |   |     |               |          |   |   |   |          |   |   |   |               |   |   |   |   |   |   |   |   |              |   |   |   |   |   |   |   |   |        |     |     |     |     |     |     |     |     |          |          |  |  |  |  |  |  |  |               |  |   |   |   |   |   |   |   |     |
| Access        | r/w                                      | r/w  | r/w                         | r/w                             | r/w      | r/w | r/w | r/w |   |   |   |              |   |   |   |   |   |   |   |   |          |      |   |   |   |          |   |   |     |               |          |   |   |   |          |   |   |   |               |   |   |   |   |   |   |   |   |              |   |   |   |   |   |   |   |   |        |     |     |     |     |     |     |     |     |          |          |  |  |  |  |  |  |  |               |  |   |   |   |   |   |   |   |     |
| Function      | Mantissa                                 |  |                             |                                 |          |     |     |     |   |   |   |              |   |   |   |   |   |   |   |   |          |      |   |   |   |          |   |   |     |               |          |   |   |   |          |   |   |   |               |   |   |   |   |   |   |   |   |              |   |   |   |   |   |   |   |   |        |     |     |     |     |     |     |     |     |          |          |  |  |  |  |  |  |  |               |  |   |   |   |   |   |   |   |     |
| Default Value | V: Variable based on factory calibration |  |                             |                                 |          |     |     |     |   |   |   |              |   |   |   |   |   |   |   |   |          |      |   |   |   |          |   |   |     |               |          |   |   |   |          |   |   |   |               |   |   |   |   |   |   |   |   |              |   |   |   |   |   |   |   |   |        |     |     |     |     |     |     |     |     |          |          |  |  |  |  |  |  |  |               |  |   |   |   |   |   |   |   |     |

7A Digital PicoDlynxII™: Non-Isolated DC-DC Power Modules

4.5Vdc –14.4Vdc input; 0.51Vdc to 5.5Vdc output; 7A Output Current

| Hex Code      | Command                                  | Brief Description   | Non-Volatile Memory Storage |                                 |          |     |     |     |  |  |  |              |   |   |   |   |   |   |   |   |        |   |   |     |     |     |     |   |   |          |          |   |        |        |          |   |   |   |               |   |   |   |   |   |   |   |   |              |   |   |   |   |   |   |   |   |        |     |     |     |     |     |     |     |     |          |          |  |  |  |  |  |  |  |               |  |   |   |   |   |   |   |   |     |
|---------------|--|---|-----------------------------|---------------------------------|----------|-----|-----|-----|--|--|--|--------------|---|---|---|---|---|---|---|---|--------|---|---|-----|-----|-----|-----|---|---|----------|----------|---|--------|--------|----------|---|---|---|---------------|---|---|---|---|---|---|---|---|--------------|---|---|---|---|---|---|---|---|--------|-----|-----|-----|-----|-----|-----|-----|-----|----------|----------|--|--|--|--|--|--|--|---------------|--|---|---|---|---|---|---|---|-----|
| 39            | IOUT_CAL_OFFSET                          | <p>Returns the value of the offset correction used to correct the measured output current</p> <table border="1"> <thead> <tr> <th>Format</th> <th colspan="8">Linear, two's complement binary</th> </tr> </thead> <tbody> <tr> <td>Bit Position</td> <td>7</td> <td>6</td> <td>5</td> <td>4</td> <td>3</td> <td>2</td> <td>1</td> <td>0</td> </tr> <tr> <td>Access</td> <td>r</td> <td>r</td> <td>r</td> <td>r</td> <td>r</td> <td>r/w</td> <td>r</td> <td>r</td> </tr> <tr> <td>Function</td> <td colspan="4">Exponent</td> <td colspan="4">Mantissa</td> </tr> <tr> <td>Default Value</td> <td>1</td> <td>1</td> <td>1</td> <td>0</td> <td>0</td> <td>V</td> <td>V</td> <td>V</td> </tr> <tr> <td>Bit Position</td> <td>7</td> <td>6</td> <td>5</td> <td>4</td> <td>3</td> <td>2</td> <td>1</td> <td>0</td> </tr> <tr> <td>Access</td> <td>r</td> <td>r</td> <td>r/w</td> <td>r/w</td> <td>r/w</td> <td>r/w</td> <td>r/w</td> <td>r/w</td> </tr> <tr> <td>Function</td> <td colspan="8">Mantissa</td> </tr> <tr> <td>Default Value</td> <td colspan="8">V: Variable based on factory calibration</td> </tr> </tbody> </table>                               | Format                      | Linear, two's complement binary |          |     |     |     |  |  |  | Bit Position | 7 | 6 | 5 | 4 | 3 | 2 | 1 | 0 | Access | r | r | r   | r   | r   | r/w | r | r | Function | Exponent |   |        |        | Mantissa |   |   |   | Default Value | 1 | 1 | 1 | 0 | 0 | V | V | V | Bit Position | 7 | 6 | 5 | 4 | 3 | 2 | 1 | 0 | Access | r   | r   | r/w | r/w | r/w | r/w | r/w | r/w | Function | Mantissa |  |  |  |  |  |  |  | Default Value | V: Variable based on factory calibration |   |   |   |   |   |   |   | YES |
| Format        | Linear, two's complement binary          |   |                             |                                 |          |     |     |     |  |  |  |              |   |   |   |   |   |   |   |   |        |   |   |     |     |     |     |   |   |          |          |   |        |        |          |   |   |   |               |   |   |   |   |   |   |   |   |              |   |   |   |   |   |   |   |   |        |     |     |     |     |     |     |     |     |          |          |  |  |  |  |  |  |  |               |  |   |   |   |   |   |   |   |     |
| Bit Position  | 7  | 6   | 5                           | 4                               | 3        | 2   | 1   | 0   |  |  |  |              |   |   |   |   |   |   |   |   |        |   |   |     |     |     |     |   |   |          |          |   |        |        |          |   |   |   |               |   |   |   |   |   |   |   |   |              |   |   |   |   |   |   |   |   |        |     |     |     |     |     |     |     |     |          |          |  |  |  |  |  |  |  |               |  |   |   |   |   |   |   |   |     |
| Access        | r  | r   | r                           | r                               | r        | r/w | r   | r   |  |  |  |              |   |   |   |   |   |   |   |   |        |   |   |     |     |     |     |   |   |          |          |   |        |        |          |   |   |   |               |   |   |   |   |   |   |   |   |              |   |   |   |   |   |   |   |   |        |     |     |     |     |     |     |     |     |          |          |  |  |  |  |  |  |  |               |  |   |   |   |   |   |   |   |     |
| Function      | Exponent                                 |   |                             |                                 | Mantissa |     |     |     |  |  |  |              |   |   |   |   |   |   |   |   |        |   |   |     |     |     |     |   |   |          |          |   |        |        |          |   |   |   |               |   |   |   |   |   |   |   |   |              |   |   |   |   |   |   |   |   |        |     |     |     |     |     |     |     |     |          |          |  |  |  |  |  |  |  |               |  |   |   |   |   |   |   |   |     |
| Default Value | 1  | 1   | 1                           | 0                               | 0        | V   | V   | V   |  |  |  |              |   |   |   |   |   |   |   |   |        |   |   |     |     |     |     |   |   |          |          |   |        |        |          |   |   |   |               |   |   |   |   |   |   |   |   |              |   |   |   |   |   |   |   |   |        |     |     |     |     |     |     |     |     |          |          |  |  |  |  |  |  |  |               |  |   |   |   |   |   |   |   |     |
| Bit Position  | 7  | 6   | 5                           | 4                               | 3        | 2   | 1   | 0   |  |  |  |              |   |   |   |   |   |   |   |   |        |   |   |     |     |     |     |   |   |          |          |   |        |        |          |   |   |   |               |   |   |   |   |   |   |   |   |              |   |   |   |   |   |   |   |   |        |     |     |     |     |     |     |     |     |          |          |  |  |  |  |  |  |  |               |  |   |   |   |   |   |   |   |     |
| Access        | r  | r   | r/w                         | r/w                             | r/w      | r/w | r/w | r/w |  |  |  |              |   |   |   |   |   |   |   |   |        |   |   |     |     |     |     |   |   |          |          |   |        |        |          |   |   |   |               |   |   |   |   |   |   |   |   |              |   |   |   |   |   |   |   |   |        |     |     |     |     |     |     |     |     |          |          |  |  |  |  |  |  |  |               |  |   |   |   |   |   |   |   |     |
| Function      | Mantissa                                 |   |                             |                                 |          |     |     |     |  |  |  |              |   |   |   |   |   |   |   |   |        |   |   |     |     |     |     |   |   |          |          |   |        |        |          |   |   |   |               |   |   |   |   |   |   |   |   |              |   |   |   |   |   |   |   |   |        |     |     |     |     |     |     |     |     |          |          |  |  |  |  |  |  |  |               |  |   |   |   |   |   |   |   |     |
| Default Value | V: Variable based on factory calibration |   |                             |                                 |          |     |     |     |  |  |  |              |   |   |   |   |   |   |   |   |        |   |   |     |     |     |     |   |   |          |          |   |        |        |          |   |   |   |               |   |   |   |   |   |   |   |   |              |   |   |   |   |   |   |   |   |        |     |     |     |     |     |     |     |     |          |          |  |  |  |  |  |  |  |               |  |   |   |   |   |   |   |   |     |
| 46            | IOUT_OC_FAULT_LIMIT                      | <p>Sets the output overcurrent fault level in A (cannot be changed)</p> <table border="1"> <thead> <tr> <th>Format</th> <th colspan="8">Linear, two's complement binary</th> </tr> </thead> <tbody> <tr> <td>Bit Position</td> <td>7</td> <td>6</td> <td>5</td> <td>4</td> <td>3</td> <td>2</td> <td>1</td> <td>0</td> </tr> <tr> <td>Access</td> <td>r</td> <td>r</td> <td>r</td> <td>r</td> <td>r</td> <td>r</td> <td>r</td> <td>r</td> </tr> <tr> <td>Function</td> <td colspan="4">Exponent</td> <td colspan="4">Mantissa</td> </tr> <tr> <td>Default Value</td> <td>1</td> <td>1</td> <td>1</td> <td>1</td> <td>1</td> <td>0</td> <td>0</td> <td>0</td> </tr> <tr> <td>Bit Position</td> <td>7</td> <td>6</td> <td>5</td> <td>4</td> <td>3</td> <td>2</td> <td>1</td> <td>0</td> </tr> <tr> <td>Access</td> <td>r</td> <td>r/w</td> <td>r/w</td> <td>r/w</td> <td>r/w</td> <td>r/w</td> <td>r/w</td> <td>r/w</td> </tr> <tr> <td>Function</td> <td colspan="8">Mantissa</td> </tr> <tr> <td>Default Value</td> <td>0</td> <td>0</td> <td>0</td> <td>1</td> <td>0</td> <td>1</td> <td>1</td> <td>0</td> </tr> </tbody> </table> <p>Value maybe locked</p> | Format                      | Linear, two's complement binary |          |     |     |     |  |  |  | Bit Position | 7 | 6 | 5 | 4 | 3 | 2 | 1 | 0 | Access | r | r | r   | r   | r   | r   | r | r | Function | Exponent |   |        |        | Mantissa |   |   |   | Default Value | 1 | 1 | 1 | 1 | 1 | 0 | 0 | 0 | Bit Position | 7 | 6 | 5 | 4 | 3 | 2 | 1 | 0 | Access | r   | r/w | r/w | r/w | r/w | r/w | r/w | r/w | Function | Mantissa |  |  |  |  |  |  |  | Default Value | 0  | 0 | 0 | 1 | 0 | 1 | 1 | 0 | YES |
| Format        | Linear, two's complement binary          |   |                             |                                 |          |     |     |     |  |  |  |              |   |   |   |   |   |   |   |   |        |   |   |     |     |     |     |   |   |          |          |   |        |        |          |   |   |   |               |   |   |   |   |   |   |   |   |              |   |   |   |   |   |   |   |   |        |     |     |     |     |     |     |     |     |          |          |  |  |  |  |  |  |  |               |  |   |   |   |   |   |   |   |     |
| Bit Position  | 7  | 6   | 5                           | 4                               | 3        | 2   | 1   | 0   |  |  |  |              |   |   |   |   |   |   |   |   |        |   |   |     |     |     |     |   |   |          |          |   |        |        |          |   |   |   |               |   |   |   |   |   |   |   |   |              |   |   |   |   |   |   |   |   |        |     |     |     |     |     |     |     |     |          |          |  |  |  |  |  |  |  |               |  |   |   |   |   |   |   |   |     |
| Access        | r  | r   | r                           | r                               | r        | r   | r   | r   |  |  |  |              |   |   |   |   |   |   |   |   |        |   |   |     |     |     |     |   |   |          |          |   |        |        |          |   |   |   |               |   |   |   |   |   |   |   |   |              |   |   |   |   |   |   |   |   |        |     |     |     |     |     |     |     |     |          |          |  |  |  |  |  |  |  |               |  |   |   |   |   |   |   |   |     |
| Function      | Exponent                                 |   |                             |                                 | Mantissa |     |     |     |  |  |  |              |   |   |   |   |   |   |   |   |        |   |   |     |     |     |     |   |   |          |          |   |        |        |          |   |   |   |               |   |   |   |   |   |   |   |   |              |   |   |   |   |   |   |   |   |        |     |     |     |     |     |     |     |     |          |          |  |  |  |  |  |  |  |               |  |   |   |   |   |   |   |   |     |
| Default Value | 1  | 1   | 1                           | 1                               | 1        | 0   | 0   | 0   |  |  |  |              |   |   |   |   |   |   |   |   |        |   |   |     |     |     |     |   |   |          |          |   |        |        |          |   |   |   |               |   |   |   |   |   |   |   |   |              |   |   |   |   |   |   |   |   |        |     |     |     |     |     |     |     |     |          |          |  |  |  |  |  |  |  |               |  |   |   |   |   |   |   |   |     |
| Bit Position  | 7  | 6   | 5                           | 4                               | 3        | 2   | 1   | 0   |  |  |  |              |   |   |   |   |   |   |   |   |        |   |   |     |     |     |     |   |   |          |          |   |        |        |          |   |   |   |               |   |   |   |   |   |   |   |   |              |   |   |   |   |   |   |   |   |        |     |     |     |     |     |     |     |     |          |          |  |  |  |  |  |  |  |               |  |   |   |   |   |   |   |   |     |
| Access        | r  | r/w   | r/w                         | r/w                             | r/w      | r/w | r/w | r/w |  |  |  |              |   |   |   |   |   |   |   |   |        |   |   |     |     |     |     |   |   |          |          |   |        |        |          |   |   |   |               |   |   |   |   |   |   |   |   |              |   |   |   |   |   |   |   |   |        |     |     |     |     |     |     |     |     |          |          |  |  |  |  |  |  |  |               |  |   |   |   |   |   |   |   |     |
| Function      | Mantissa                                 |   |                             |                                 |          |     |     |     |  |  |  |              |   |   |   |   |   |   |   |   |        |   |   |     |     |     |     |   |   |          |          |   |        |        |          |   |   |   |               |   |   |   |   |   |   |   |   |              |   |   |   |   |   |   |   |   |        |     |     |     |     |     |     |     |     |          |          |  |  |  |  |  |  |  |               |  |   |   |   |   |   |   |   |     |
| Default Value | 0  | 0   | 0                           | 1                               | 0        | 1   | 1   | 0   |  |  |  |              |   |   |   |   |   |   |   |   |        |   |   |     |     |     |     |   |   |          |          |   |        |        |          |   |   |   |               |   |   |   |   |   |   |   |   |              |   |   |   |   |   |   |   |   |        |     |     |     |     |     |     |     |     |          |          |  |  |  |  |  |  |  |               |  |   |   |   |   |   |   |   |     |
| 47            | IOUT_OC_FAULT_RESPONSE                   | <p>Determines module action in response to an IOUT_OC_FAULT_LIMIT or a VOUT undervoltage (UV) fault</p> <table border="1"> <thead> <tr> <th>Format</th> <th colspan="8">Unsigned Binary</th> </tr> </thead> <tbody> <tr> <td>Bit Position</td> <td>7</td> <td>6</td> <td>5</td> <td>4</td> <td>3</td> <td>2</td> <td>1</td> <td>0</td> </tr> <tr> <td>Access</td> <td>r</td> <td>r</td> <td>r/w</td> <td>r/w</td> <td>r/w</td> <td>r</td> <td>r</td> <td>r</td> </tr> <tr> <td>Function</td> <td>X</td> <td>X</td> <td>RS [2]</td> <td>RS [1]</td> <td>RS [0]</td> <td>x</td> <td>X</td> <td>X</td> </tr> <tr> <td>Default Value</td> <td>0</td> <td>0</td> <td>1</td> <td>1</td> <td>1</td> <td>1</td> <td>0</td> <td>0</td> </tr> </tbody> </table> <p>RS[2:0] – Retry Setting<br/>                     000 Unit does not attempt to restart<br/>                     111 Unit goes through normal soft start continuously<br/>                     Any other value is not acceptable</p>   | Format                      | Unsigned Binary                 |          |     |     |     |  |  |  | Bit Position | 7 | 6 | 5 | 4 | 3 | 2 | 1 | 0 | Access | r | r | r/w | r/w | r/w | r   | r | r | Function | X        | X | RS [2] | RS [1] | RS [0]   | x | X | X | Default Value | 0 | 0 | 1 | 1 | 1 | 1 | 0 | 0 | YES          |   |   |   |   |   |   |   |   |        |     |     |     |     |     |     |     |     |          |          |  |  |  |  |  |  |  |               |  |   |   |   |   |   |   |   |     |
| Format        | Unsigned Binary                          |   |                             |                                 |          |     |     |     |  |  |  |              |   |   |   |   |   |   |   |   |        |   |   |     |     |     |     |   |   |          |          |   |        |        |          |   |   |   |               |   |   |   |   |   |   |   |   |              |   |   |   |   |   |   |   |   |        |     |     |     |     |     |     |     |     |          |          |  |  |  |  |  |  |  |               |  |   |   |   |   |   |   |   |     |
| Bit Position  | 7  | 6   | 5                           | 4                               | 3        | 2   | 1   | 0   |  |  |  |              |   |   |   |   |   |   |   |   |        |   |   |     |     |     |     |   |   |          |          |   |        |        |          |   |   |   |               |   |   |   |   |   |   |   |   |              |   |   |   |   |   |   |   |   |        |     |     |     |     |     |     |     |     |          |          |  |  |  |  |  |  |  |               |  |   |   |   |   |   |   |   |     |
| Access        | r  | r   | r/w                         | r/w                             | r/w      | r   | r   | r   |  |  |  |              |   |   |   |   |   |   |   |   |        |   |   |     |     |     |     |   |   |          |          |   |        |        |          |   |   |   |               |   |   |   |   |   |   |   |   |              |   |   |   |   |   |   |   |   |        |     |     |     |     |     |     |     |     |          |          |  |  |  |  |  |  |  |               |  |   |   |   |   |   |   |   |     |
| Function      | X  | X   | RS [2]                      | RS [1]                          | RS [0]   | x   | X   | X   |  |  |  |              |   |   |   |   |   |   |   |   |        |   |   |     |     |     |     |   |   |          |          |   |        |        |          |   |   |   |               |   |   |   |   |   |   |   |   |              |   |   |   |   |   |   |   |   |        |     |     |     |     |     |     |     |     |          |          |  |  |  |  |  |  |  |               |  |   |   |   |   |   |   |   |     |
| Default Value | 0  | 0   | 1                           | 1                               | 1        | 1   | 0   | 0   |  |  |  |              |   |   |   |   |   |   |   |   |        |   |   |     |     |     |     |   |   |          |          |   |        |        |          |   |   |   |               |   |   |   |   |   |   |   |   |              |   |   |   |   |   |   |   |   |        |     |     |     |     |     |     |     |     |          |          |  |  |  |  |  |  |  |               |  |   |   |   |   |   |   |   |     |
| 4A            | IOUT_OC_WARN_LIMIT                       | <p>Sets the output overcurrent warning level in A</p> <table border="1"> <thead> <tr> <th>Format</th> <th colspan="8">Linear, two's complement binary</th> </tr> </thead> <tbody> <tr> <td>Bit Position</td> <td>7</td> <td>6</td> <td>5</td> <td>4</td> <td>3</td> <td>2</td> <td>1</td> <td>0</td> </tr> <tr> <td>Access</td> <td>r</td> <td>r</td> <td>r</td> <td>r</td> <td>r</td> <td>r</td> <td>r</td> <td>r</td> </tr> <tr> <td>Function</td> <td colspan="4">Exponent</td> <td colspan="4">Mantissa</td> </tr> <tr> <td>Default Value</td> <td>1</td> <td>1</td> <td>1</td> <td>1</td> <td>1</td> <td>0</td> <td>0</td> <td>0</td> </tr> <tr> <td>Bit Position</td> <td>7</td> <td>6</td> <td>5</td> <td>4</td> <td>3</td> <td>2</td> <td>1</td> <td>0</td> </tr> <tr> <td>Access</td> <td>r</td> <td>r/w</td> <td>r/w</td> <td>r/w</td> <td>r/w</td> <td>r/w</td> <td>r/w</td> <td>r/w</td> </tr> <tr> <td>Function</td> <td colspan="8">Mantissa</td> </tr> <tr> <td>Default Value</td> <td>0</td> <td>0</td> <td>0</td> <td>1</td> <td>0</td> <td>1</td> <td>0</td> <td>0</td> </tr> </tbody> </table> <p>Value may be locked</p>                  | Format                      | Linear, two's complement binary |          |     |     |     |  |  |  | Bit Position | 7 | 6 | 5 | 4 | 3 | 2 | 1 | 0 | Access | r | r | r   | r   | r   | r   | r | r | Function | Exponent |   |        |        | Mantissa |   |   |   | Default Value | 1 | 1 | 1 | 1 | 1 | 0 | 0 | 0 | Bit Position | 7 | 6 | 5 | 4 | 3 | 2 | 1 | 0 | Access | r   | r/w | r/w | r/w | r/w | r/w | r/w | r/w | Function | Mantissa |  |  |  |  |  |  |  | Default Value | 0  | 0 | 0 | 1 | 0 | 1 | 0 | 0 |     |
| Format        | Linear, two's complement binary          |   |                             |                                 |          |     |     |     |  |  |  |              |   |   |   |   |   |   |   |   |        |   |   |     |     |     |     |   |   |          |          |   |        |        |          |   |   |   |               |   |   |   |   |   |   |   |   |              |   |   |   |   |   |   |   |   |        |     |     |     |     |     |     |     |     |          |          |  |  |  |  |  |  |  |               |  |   |   |   |   |   |   |   |     |
| Bit Position  | 7  | 6   | 5                           | 4                               | 3        | 2   | 1   | 0   |  |  |  |              |   |   |   |   |   |   |   |   |        |   |   |     |     |     |     |   |   |          |          |   |        |        |          |   |   |   |               |   |   |   |   |   |   |   |   |              |   |   |   |   |   |   |   |   |        |     |     |     |     |     |     |     |     |          |          |  |  |  |  |  |  |  |               |  |   |   |   |   |   |   |   |     |
| Access        | r  | r   | r                           | r                               | r        | r   | r   | r   |  |  |  |              |   |   |   |   |   |   |   |   |        |   |   |     |     |     |     |   |   |          |          |   |        |        |          |   |   |   |               |   |   |   |   |   |   |   |   |              |   |   |   |   |   |   |   |   |        |     |     |     |     |     |     |     |     |          |          |  |  |  |  |  |  |  |               |  |   |   |   |   |   |   |   |     |
| Function      | Exponent                                 |   |                             |                                 | Mantissa |     |     |     |  |  |  |              |   |   |   |   |   |   |   |   |        |   |   |     |     |     |     |   |   |          |          |   |        |        |          |   |   |   |               |   |   |   |   |   |   |   |   |              |   |   |   |   |   |   |   |   |        |     |     |     |     |     |     |     |     |          |          |  |  |  |  |  |  |  |               |  |   |   |   |   |   |   |   |     |
| Default Value | 1  | 1   | 1                           | 1                               | 1        | 0   | 0   | 0   |  |  |  |              |   |   |   |   |   |   |   |   |        |   |   |     |     |     |     |   |   |          |          |   |        |        |          |   |   |   |               |   |   |   |   |   |   |   |   |              |   |   |   |   |   |   |   |   |        |     |     |     |     |     |     |     |     |          |          |  |  |  |  |  |  |  |               |  |   |   |   |   |   |   |   |     |
| Bit Position  | 7  | 6   | 5                           | 4                               | 3        | 2   | 1   | 0   |  |  |  |              |   |   |   |   |   |   |   |   |        |   |   |     |     |     |     |   |   |          |          |   |        |        |          |   |   |   |               |   |   |   |   |   |   |   |   |              |   |   |   |   |   |   |   |   |        |     |     |     |     |     |     |     |     |          |          |  |  |  |  |  |  |  |               |  |   |   |   |   |   |   |   |     |
| Access        | r  | r/w   | r/w                         | r/w                             | r/w      | r/w | r/w | r/w |  |  |  |              |   |   |   |   |   |   |   |   |        |   |   |     |     |     |     |   |   |          |          |   |        |        |          |   |   |   |               |   |   |   |   |   |   |   |   |              |   |   |   |   |   |   |   |   |        |     |     |     |     |     |     |     |     |          |          |  |  |  |  |  |  |  |               |  |   |   |   |   |   |   |   |     |
| Function      | Mantissa                                 |   |                             |                                 |          |     |     |     |  |  |  |              |   |   |   |   |   |   |   |   |        |   |   |     |     |     |     |   |   |          |          |   |        |        |          |   |   |   |               |   |   |   |   |   |   |   |   |              |   |   |   |   |   |   |   |   |        |     |     |     |     |     |     |     |     |          |          |  |  |  |  |  |  |  |               |  |   |   |   |   |   |   |   |     |
| Default Value | 0  | 0   | 0                           | 1                               | 0        | 1   | 0   | 0   |  |  |  |              |   |   |   |   |   |   |   |   |        |   |   |     |     |     |     |   |   |          |          |   |        |        |          |   |   |   |               |   |   |   |   |   |   |   |   |              |   |   |   |   |   |   |   |   |        |     |     |     |     |     |     |     |     |          |          |  |  |  |  |  |  |  |               |  |   |   |   |   |   |   |   |     |
| 4F            | OT_FAULT_LIMIT                           | <p>Sets the overtemperature fault level in °C</p> <table border="1"> <thead> <tr> <th>Format</th> <th colspan="8">Linear, two's complement binary</th> </tr> </thead> <tbody> <tr> <td>Bit Position</td> <td>7</td> <td>6</td> <td>5</td> <td>4</td> <td>3</td> <td>2</td> <td>1</td> <td>0</td> </tr> <tr> <td>Access</td> <td>r</td> <td>r</td> <td>r</td> <td>r</td> <td>r</td> <td>r</td> <td>r</td> <td>r</td> </tr> <tr> <td>Function</td> <td colspan="4">Exponent</td> <td colspan="4">Mantissa</td> </tr> <tr> <td>Default Value</td> <td>0</td> <td>0</td> <td>0</td> <td>0</td> <td>0</td> <td>0</td> <td>0</td> <td>0</td> </tr> <tr> <td>Bit Position</td> <td>7</td> <td>6</td> <td>5</td> <td>4</td> <td>3</td> <td>2</td> <td>1</td> <td>0</td> </tr> <tr> <td>Access</td> <td>r/w</td> <td>r/w</td> <td>r/w</td> <td>r/w</td> <td>r/w</td> <td>r/w</td> <td>r/w</td> <td>r/w</td> </tr> <tr> <td>Function</td> <td colspan="8">Mantissa</td> </tr> <tr> <td>Default Value</td> <td>0</td> <td>1</td> <td>1</td> <td>1</td> <td>1</td> <td>1</td> <td>0</td> <td>1</td> </tr> </tbody> </table> <p>Value may be locked</p>                    | Format                      | Linear, two's complement binary |          |     |     |     |  |  |  | Bit Position | 7 | 6 | 5 | 4 | 3 | 2 | 1 | 0 | Access | r | r | r   | r   | r   | r   | r | r | Function | Exponent |   |        |        | Mantissa |   |   |   | Default Value | 0 | 0 | 0 | 0 | 0 | 0 | 0 | 0 | Bit Position | 7 | 6 | 5 | 4 | 3 | 2 | 1 | 0 | Access | r/w | r/w | r/w | r/w | r/w | r/w | r/w | r/w | Function | Mantissa |  |  |  |  |  |  |  | Default Value | 0  | 1 | 1 | 1 | 1 | 1 | 0 | 1 | YES |
| Format        | Linear, two's complement binary          |   |                             |                                 |          |     |     |     |  |  |  |              |   |   |   |   |   |   |   |   |        |   |   |     |     |     |     |   |   |          |          |   |        |        |          |   |   |   |               |   |   |   |   |   |   |   |   |              |   |   |   |   |   |   |   |   |        |     |     |     |     |     |     |     |     |          |          |  |  |  |  |  |  |  |               |  |   |   |   |   |   |   |   |     |
| Bit Position  | 7  | 6   | 5                           | 4                               | 3        | 2   | 1   | 0   |  |  |  |              |   |   |   |   |   |   |   |   |        |   |   |     |     |     |     |   |   |          |          |   |        |        |          |   |   |   |               |   |   |   |   |   |   |   |   |              |   |   |   |   |   |   |   |   |        |     |     |     |     |     |     |     |     |          |          |  |  |  |  |  |  |  |               |  |   |   |   |   |   |   |   |     |
| Access        | r  | r   | r                           | r                               | r        | r   | r   | r   |  |  |  |              |   |   |   |   |   |   |   |   |        |   |   |     |     |     |     |   |   |          |          |   |        |        |          |   |   |   |               |   |   |   |   |   |   |   |   |              |   |   |   |   |   |   |   |   |        |     |     |     |     |     |     |     |     |          |          |  |  |  |  |  |  |  |               |  |   |   |   |   |   |   |   |     |
| Function      | Exponent                                 |   |                             |                                 | Mantissa |     |     |     |  |  |  |              |   |   |   |   |   |   |   |   |        |   |   |     |     |     |     |   |   |          |          |   |        |        |          |   |   |   |               |   |   |   |   |   |   |   |   |              |   |   |   |   |   |   |   |   |        |     |     |     |     |     |     |     |     |          |          |  |  |  |  |  |  |  |               |  |   |   |   |   |   |   |   |     |
| Default Value | 0  | 0   | 0                           | 0                               | 0        | 0   | 0   | 0   |  |  |  |              |   |   |   |   |   |   |   |   |        |   |   |     |     |     |     |   |   |          |          |   |        |        |          |   |   |   |               |   |   |   |   |   |   |   |   |              |   |   |   |   |   |   |   |   |        |     |     |     |     |     |     |     |     |          |          |  |  |  |  |  |  |  |               |  |   |   |   |   |   |   |   |     |
| Bit Position  | 7  | 6   | 5                           | 4                               | 3        | 2   | 1   | 0   |  |  |  |              |   |   |   |   |   |   |   |   |        |   |   |     |     |     |     |   |   |          |          |   |        |        |          |   |   |   |               |   |   |   |   |   |   |   |   |              |   |   |   |   |   |   |   |   |        |     |     |     |     |     |     |     |     |          |          |  |  |  |  |  |  |  |               |  |   |   |   |   |   |   |   |     |
| Access        | r/w                                      | r/w   | r/w                         | r/w                             | r/w      | r/w | r/w | r/w |  |  |  |              |   |   |   |   |   |   |   |   |        |   |   |     |     |     |     |   |   |          |          |   |        |        |          |   |   |   |               |   |   |   |   |   |   |   |   |              |   |   |   |   |   |   |   |   |        |     |     |     |     |     |     |     |     |          |          |  |  |  |  |  |  |  |               |  |   |   |   |   |   |   |   |     |
| Function      | Mantissa                                 |   |                             |                                 |          |     |     |     |  |  |  |              |   |   |   |   |   |   |   |   |        |   |   |     |     |     |     |   |   |          |          |   |        |        |          |   |   |   |               |   |   |   |   |   |   |   |   |              |   |   |   |   |   |   |   |   |        |     |     |     |     |     |     |     |     |          |          |  |  |  |  |  |  |  |               |  |   |   |   |   |   |   |   |     |
| Default Value | 0  | 1   | 1                           | 1                               | 1        | 1   | 0   | 1   |  |  |  |              |   |   |   |   |   |   |   |   |        |   |   |     |     |     |     |   |   |          |          |   |        |        |          |   |   |   |               |   |   |   |   |   |   |   |   |              |   |   |   |   |   |   |   |   |        |     |     |     |     |     |     |     |     |          |          |  |  |  |  |  |  |  |               |  |   |   |   |   |   |   |   |     |

Table 6 (Continued)

7A Digital PicoDlynxII™: Non-Isolated DC-DC Power Modules

4.5Vdc –14.4Vdc input; 0.51Vdc to 5.5Vdc output; 7A Output Current

| Hex Code      | Command                                  | Brief Description   | Non-Volatile Memory Storage |                                 |          |      |     |                   |  |  |  |              |   |   |   |   |   |   |   |   |        |   |   |   |   |   |   |   |     |          |                |             |                  |          |          |      |     |                   |               |   |   |   |   |   |   |   |   |              |   |   |   |   |   |   |   |   |        |     |     |     |     |     |     |     |     |          |          |     |         |          |        |      |     |        |               |   |   |   |   |   |   |   |   |     |
|---------------|--|---|-----------------------------|---------------------------------|----------|------|-----|-------------------|--|--|--|--------------|---|---|---|---|---|---|---|---|--------|---|---|---|---|---|---|---|-----|----------|----------------|-------------|------------------|----------|----------|------|-----|-------------------|---------------|---|---|---|---|---|---|---|---|--------------|---|---|---|---|---|---|---|---|--------|-----|-----|-----|-----|-----|-----|-----|-----|----------|----------|-----|---------|----------|--------|------|-----|--------|---------------|---|---|---|---|---|---|---|---|-----|
| 51            | OT_WARN_LIMIT<br><br>Value may be locked | <p>Sets the over temperature warning level in °C</p> <table border="1"> <tr> <th>Format</th> <td colspan="8">Linear, two's complement binary</td> </tr> <tr> <th>Bit Position</th> <td>7</td><td>6</td><td>5</td><td>4</td><td>3</td><td>2</td><td>1</td><td>0</td> </tr> <tr> <th>Access</th> <td>r</td><td>r</td><td>r</td><td>r</td><td>r</td><td>r</td><td>r</td><td>r</td> </tr> <tr> <th>Function</th> <td colspan="4">Exponent</td> <td colspan="4">Mantissa</td> </tr> <tr> <th>Default Value</th> <td>0</td><td>0</td><td>0</td><td>0</td><td>0</td><td>0</td><td>0</td><td>0</td> </tr> <tr> <th>Bit Position</th> <td>7</td><td>6</td><td>5</td><td>4</td><td>3</td><td>2</td><td>1</td><td>0</td> </tr> <tr> <th>Access</th> <td>r/w</td><td>r/w</td><td>r/w</td><td>r/w</td><td>r/w</td><td>r/w</td><td>r/w</td><td>r/w</td> </tr> <tr> <th>Function</th> <td colspan="8">Mantissa</td> </tr> <tr> <th>Default Value</th> <td>0</td><td>1</td><td>1</td><td>1</td><td>1</td><td>0</td><td>0</td><td>0</td> </tr> </table>  | Format                      | Linear, two's complement binary |          |      |     |                   |  |  |  | Bit Position | 7 | 6 | 5 | 4 | 3 | 2 | 1 | 0 | Access | r | r | r | r | r | r | r | r   | Function | Exponent       |             |                  |          | Mantissa |      |     |                   | Default Value | 0 | 0 | 0 | 0 | 0 | 0 | 0 | 0 | Bit Position | 7 | 6 | 5 | 4 | 3 | 2 | 1 | 0 | Access | r/w | r/w | r/w | r/w | r/w | r/w | r/w | r/w | Function | Mantissa |     |         |          |        |      |     |        | Default Value | 0 | 1 | 1 | 1 | 1 | 0 | 0 | 0 | YES |
| Format        | Linear, two's complement binary          |   |                             |                                 |          |      |     |                   |  |  |  |              |   |   |   |   |   |   |   |   |        |   |   |   |   |   |   |   |     |          |                |             |                  |          |          |      |     |                   |               |   |   |   |   |   |   |   |   |              |   |   |   |   |   |   |   |   |        |     |     |     |     |     |     |     |     |          |          |     |         |          |        |      |     |        |               |   |   |   |   |   |   |   |   |     |
| Bit Position  | 7  | 6   | 5                           | 4                               | 3        | 2    | 1   | 0                 |  |  |  |              |   |   |   |   |   |   |   |   |        |   |   |   |   |   |   |   |     |          |                |             |                  |          |          |      |     |                   |               |   |   |   |   |   |   |   |   |              |   |   |   |   |   |   |   |   |        |     |     |     |     |     |     |     |     |          |          |     |         |          |        |      |     |        |               |   |   |   |   |   |   |   |   |     |
| Access        | r  | r   | r                           | r                               | r        | r    | r   | r                 |  |  |  |              |   |   |   |   |   |   |   |   |        |   |   |   |   |   |   |   |     |          |                |             |                  |          |          |      |     |                   |               |   |   |   |   |   |   |   |   |              |   |   |   |   |   |   |   |   |        |     |     |     |     |     |     |     |     |          |          |     |         |          |        |      |     |        |               |   |   |   |   |   |   |   |   |     |
| Function      | Exponent                                 |   |                             |                                 | Mantissa |      |     |                   |  |  |  |              |   |   |   |   |   |   |   |   |        |   |   |   |   |   |   |   |     |          |                |             |                  |          |          |      |     |                   |               |   |   |   |   |   |   |   |   |              |   |   |   |   |   |   |   |   |        |     |     |     |     |     |     |     |     |          |          |     |         |          |        |      |     |        |               |   |   |   |   |   |   |   |   |     |
| Default Value | 0  | 0   | 0                           | 0                               | 0        | 0    | 0   | 0                 |  |  |  |              |   |   |   |   |   |   |   |   |        |   |   |   |   |   |   |   |     |          |                |             |                  |          |          |      |     |                   |               |   |   |   |   |   |   |   |   |              |   |   |   |   |   |   |   |   |        |     |     |     |     |     |     |     |     |          |          |     |         |          |        |      |     |        |               |   |   |   |   |   |   |   |   |     |
| Bit Position  | 7  | 6   | 5                           | 4                               | 3        | 2    | 1   | 0                 |  |  |  |              |   |   |   |   |   |   |   |   |        |   |   |   |   |   |   |   |     |          |                |             |                  |          |          |      |     |                   |               |   |   |   |   |   |   |   |   |              |   |   |   |   |   |   |   |   |        |     |     |     |     |     |     |     |     |          |          |     |         |          |        |      |     |        |               |   |   |   |   |   |   |   |   |     |
| Access        | r/w                                      | r/w   | r/w                         | r/w                             | r/w      | r/w  | r/w | r/w               |  |  |  |              |   |   |   |   |   |   |   |   |        |   |   |   |   |   |   |   |     |          |                |             |                  |          |          |      |     |                   |               |   |   |   |   |   |   |   |   |              |   |   |   |   |   |   |   |   |        |     |     |     |     |     |     |     |     |          |          |     |         |          |        |      |     |        |               |   |   |   |   |   |   |   |   |     |
| Function      | Mantissa                                 |   |                             |                                 |          |      |     |                   |  |  |  |              |   |   |   |   |   |   |   |   |        |   |   |   |   |   |   |   |     |          |                |             |                  |          |          |      |     |                   |               |   |   |   |   |   |   |   |   |              |   |   |   |   |   |   |   |   |        |     |     |     |     |     |     |     |     |          |          |     |         |          |        |      |     |        |               |   |   |   |   |   |   |   |   |     |
| Default Value | 0  | 1   | 1                           | 1                               | 1        | 0    | 0   | 0                 |  |  |  |              |   |   |   |   |   |   |   |   |        |   |   |   |   |   |   |   |     |          |                |             |                  |          |          |      |     |                   |               |   |   |   |   |   |   |   |   |              |   |   |   |   |   |   |   |   |        |     |     |     |     |     |     |     |     |          |          |     |         |          |        |      |     |        |               |   |   |   |   |   |   |   |   |     |
| 61            | TON_RISE                                 | <p>Sets the rise time of the output voltage during startup. Supported Values – 0.6, 0.9, 1.2, 1.8, 2.7, 4.2, 6.0, 9.0msec. Value of 0 instructs unit to bring its output to programmed value as quickly as possible</p> <table border="1"> <tr> <th>Format</th> <td colspan="8">Linear, two's complement binary</td> </tr> <tr> <th>Bit Position</th> <td>7</td><td>6</td><td>5</td><td>4</td><td>3</td><td>2</td><td>1</td><td>0</td> </tr> <tr> <th>Access</th> <td>r</td><td>r</td><td>r</td><td>r</td><td>r</td><td>r</td><td>r</td><td>r/w</td> </tr> <tr> <th>Function</th> <td colspan="4">Exponent</td> <td colspan="4">Mantissa</td> </tr> <tr> <th>Default Value</th> <td>1</td><td>1</td><td>1</td><td>0</td><td>0</td><td>0</td><td>0</td><td>0</td> </tr> <tr> <th>Bit Position</th> <td>7</td><td>6</td><td>5</td><td>4</td><td>3</td><td>2</td><td>1</td><td>0</td> </tr> <tr> <th>Access</th> <td>r/w</td><td>r/w</td><td>r/w</td><td>r/w</td><td>r/w</td><td>r/w</td><td>r/w</td><td>r/w</td> </tr> <tr> <th>Function</th> <td colspan="8">Mantissa</td> </tr> <tr> <th>Default Value</th> <td>0</td><td>1</td><td>1</td><td>0</td><td>0</td><td>0</td><td>0</td><td>0</td> </tr> </table> | Format                      | Linear, two's complement binary |          |      |     |                   |  |  |  | Bit Position | 7 | 6 | 5 | 4 | 3 | 2 | 1 | 0 | Access | r | r | r | r | r | r | r | r/w | Function | Exponent       |             |                  |          | Mantissa |      |     |                   | Default Value | 1 | 1 | 1 | 0 | 0 | 0 | 0 | 0 | Bit Position | 7 | 6 | 5 | 4 | 3 | 2 | 1 | 0 | Access | r/w | r/w | r/w | r/w | r/w | r/w | r/w | r/w | Function | Mantissa |     |         |          |        |      |     |        | Default Value | 0 | 1 | 1 | 0 | 0 | 0 | 0 | 0 | YES |
| Format        | Linear, two's complement binary          |   |                             |                                 |          |      |     |                   |  |  |  |              |   |   |   |   |   |   |   |   |        |   |   |   |   |   |   |   |     |          |                |             |                  |          |          |      |     |                   |               |   |   |   |   |   |   |   |   |              |   |   |   |   |   |   |   |   |        |     |     |     |     |     |     |     |     |          |          |     |         |          |        |      |     |        |               |   |   |   |   |   |   |   |   |     |
| Bit Position  | 7  | 6   | 5                           | 4                               | 3        | 2    | 1   | 0                 |  |  |  |              |   |   |   |   |   |   |   |   |        |   |   |   |   |   |   |   |     |          |                |             |                  |          |          |      |     |                   |               |   |   |   |   |   |   |   |   |              |   |   |   |   |   |   |   |   |        |     |     |     |     |     |     |     |     |          |          |     |         |          |        |      |     |        |               |   |   |   |   |   |   |   |   |     |
| Access        | r  | r   | r                           | r                               | r        | r    | r   | r/w               |  |  |  |              |   |   |   |   |   |   |   |   |        |   |   |   |   |   |   |   |     |          |                |             |                  |          |          |      |     |                   |               |   |   |   |   |   |   |   |   |              |   |   |   |   |   |   |   |   |        |     |     |     |     |     |     |     |     |          |          |     |         |          |        |      |     |        |               |   |   |   |   |   |   |   |   |     |
| Function      | Exponent                                 |   |                             |                                 | Mantissa |      |     |                   |  |  |  |              |   |   |   |   |   |   |   |   |        |   |   |   |   |   |   |   |     |          |                |             |                  |          |          |      |     |                   |               |   |   |   |   |   |   |   |   |              |   |   |   |   |   |   |   |   |        |     |     |     |     |     |     |     |     |          |          |     |         |          |        |      |     |        |               |   |   |   |   |   |   |   |   |     |
| Default Value | 1  | 1   | 1                           | 0                               | 0        | 0    | 0   | 0                 |  |  |  |              |   |   |   |   |   |   |   |   |        |   |   |   |   |   |   |   |     |          |                |             |                  |          |          |      |     |                   |               |   |   |   |   |   |   |   |   |              |   |   |   |   |   |   |   |   |        |     |     |     |     |     |     |     |     |          |          |     |         |          |        |      |     |        |               |   |   |   |   |   |   |   |   |     |
| Bit Position  | 7  | 6   | 5                           | 4                               | 3        | 2    | 1   | 0                 |  |  |  |              |   |   |   |   |   |   |   |   |        |   |   |   |   |   |   |   |     |          |                |             |                  |          |          |      |     |                   |               |   |   |   |   |   |   |   |   |              |   |   |   |   |   |   |   |   |        |     |     |     |     |     |     |     |     |          |          |     |         |          |        |      |     |        |               |   |   |   |   |   |   |   |   |     |
| Access        | r/w                                      | r/w   | r/w                         | r/w                             | r/w      | r/w  | r/w | r/w               |  |  |  |              |   |   |   |   |   |   |   |   |        |   |   |   |   |   |   |   |     |          |                |             |                  |          |          |      |     |                   |               |   |   |   |   |   |   |   |   |              |   |   |   |   |   |   |   |   |        |     |     |     |     |     |     |     |     |          |          |     |         |          |        |      |     |        |               |   |   |   |   |   |   |   |   |     |
| Function      | Mantissa                                 |   |                             |                                 |          |      |     |                   |  |  |  |              |   |   |   |   |   |   |   |   |        |   |   |   |   |   |   |   |     |          |                |             |                  |          |          |      |     |                   |               |   |   |   |   |   |   |   |   |              |   |   |   |   |   |   |   |   |        |     |     |     |     |     |     |     |     |          |          |     |         |          |        |      |     |        |               |   |   |   |   |   |   |   |   |     |
| Default Value | 0  | 1   | 1                           | 0                               | 0        | 0    | 0   | 0                 |  |  |  |              |   |   |   |   |   |   |   |   |        |   |   |   |   |   |   |   |     |          |                |             |                  |          |          |      |     |                   |               |   |   |   |   |   |   |   |   |              |   |   |   |   |   |   |   |   |        |     |     |     |     |     |     |     |     |          |          |     |         |          |        |      |     |        |               |   |   |   |   |   |   |   |   |     |
| 78            | STATUS_BYTE                              | <p>Returns one byte of information with a summary of the most critical module faults</p> <table border="1"> <tr> <th>Format</th> <td colspan="8">Unsigned Binary</td> </tr> <tr> <th>Bit Position</th> <td>7</td><td>6</td><td>5</td><td>4</td><td>3</td><td>2</td><td>1</td><td>0</td> </tr> <tr> <th>Access</th> <td>r</td><td>r</td><td>r</td><td>r</td><td>r</td><td>r</td><td>r</td><td>r</td> </tr> <tr> <th>Flag</th> <td>X</td><td>OFF</td><td>VOUT_OV</td><td>IOU_T_OC</td><td>VIN_UV</td><td>TEMP</td><td>CML</td><td>None of the Above</td> </tr> <tr> <th>Default Value</th> <td>0</td><td>0</td><td>0</td><td>0</td><td>0</td><td>0</td><td>0</td><td>0</td> </tr> </table>  | Format                      | Unsigned Binary                 |          |      |     |                   |  |  |  | Bit Position | 7 | 6 | 5 | 4 | 3 | 2 | 1 | 0 | Access | r | r | r | r | r | r | r | r   | Flag     | X              | OFF         | VOUT_OV          | IOU_T_OC | VIN_UV   | TEMP | CML | None of the Above | Default Value | 0 | 0 | 0 | 0 | 0 | 0 | 0 | 0 |              |   |   |   |   |   |   |   |   |        |     |     |     |     |     |     |     |     |          |          |     |         |          |        |      |     |        |               |   |   |   |   |   |   |   |   |     |
| Format        | Unsigned Binary                          |   |                             |                                 |          |      |     |                   |  |  |  |              |   |   |   |   |   |   |   |   |        |   |   |   |   |   |   |   |     |          |                |             |                  |          |          |      |     |                   |               |   |   |   |   |   |   |   |   |              |   |   |   |   |   |   |   |   |        |     |     |     |     |     |     |     |     |          |          |     |         |          |        |      |     |        |               |   |   |   |   |   |   |   |   |     |
| Bit Position  | 7  | 6   | 5                           | 4                               | 3        | 2    | 1   | 0                 |  |  |  |              |   |   |   |   |   |   |   |   |        |   |   |   |   |   |   |   |     |          |                |             |                  |          |          |      |     |                   |               |   |   |   |   |   |   |   |   |              |   |   |   |   |   |   |   |   |        |     |     |     |     |     |     |     |     |          |          |     |         |          |        |      |     |        |               |   |   |   |   |   |   |   |   |     |
| Access        | r  | r   | r                           | r                               | r        | r    | r   | r                 |  |  |  |              |   |   |   |   |   |   |   |   |        |   |   |   |   |   |   |   |     |          |                |             |                  |          |          |      |     |                   |               |   |   |   |   |   |   |   |   |              |   |   |   |   |   |   |   |   |        |     |     |     |     |     |     |     |     |          |          |     |         |          |        |      |     |        |               |   |   |   |   |   |   |   |   |     |
| Flag          | X  | OFF   | VOUT_OV                     | IOU_T_OC                        | VIN_UV   | TEMP | CML | None of the Above |  |  |  |              |   |   |   |   |   |   |   |   |        |   |   |   |   |   |   |   |     |          |                |             |                  |          |          |      |     |                   |               |   |   |   |   |   |   |   |   |              |   |   |   |   |   |   |   |   |        |     |     |     |     |     |     |     |     |          |          |     |         |          |        |      |     |        |               |   |   |   |   |   |   |   |   |     |
| Default Value | 0  | 0   | 0                           | 0                               | 0        | 0    | 0   | 0                 |  |  |  |              |   |   |   |   |   |   |   |   |        |   |   |   |   |   |   |   |     |          |                |             |                  |          |          |      |     |                   |               |   |   |   |   |   |   |   |   |              |   |   |   |   |   |   |   |   |        |     |     |     |     |     |     |     |     |          |          |     |         |          |        |      |     |        |               |   |   |   |   |   |   |   |   |     |
| 79            | STATUS_WORD                              | <p>Returns two bytes of information with a summary of the module's fault/warning conditions</p> <table border="1"> <tr> <th>Format</th> <td colspan="8">Unsigned Binary</td> </tr> <tr> <th>Bit Position</th> <td>7</td><td>6</td><td>5</td><td>4</td><td>3</td><td>2</td><td>1</td><td>0</td> </tr> <tr> <th>Access</th> <td>r</td><td>r</td><td>r</td><td>r</td><td>r</td><td>r</td><td>r</td><td>r</td> </tr> <tr> <th>Flag</th> <td>VOUT</td><td>IOU_T_P_OUT</td><td>X</td><td>MFR</td><td>PGOOD</td><td>X</td><td>X</td><td></td> </tr> <tr> <th>Default Value</th> <td>0</td><td>0</td><td>0</td><td>0</td><td>0</td><td>0</td><td>0</td><td></td> </tr> <tr> <th>Bit Position</th> <td>7</td><td>6</td><td>5</td><td>4</td><td>3</td><td>2</td><td>1</td><td>0</td> </tr> <tr> <th>Access</th> <td>r</td><td>r</td><td>r</td><td>r</td><td>r</td><td>r</td><td>r</td><td>r</td> </tr> <tr> <th>Flag</th> <td>X</td><td>OFF</td><td>VOUT_OV</td><td>IOU_T_OC</td><td>VIN_UV</td><td>TEMP</td><td>CML</td><td>Not at</td> </tr> <tr> <th>Default Value</th> <td>0</td><td>X</td><td>0</td><td>0</td><td>0</td><td>0</td><td>0</td><td></td> </tr> </table>   | Format                      | Unsigned Binary                 |          |      |     |                   |  |  |  | Bit Position | 7 | 6 | 5 | 4 | 3 | 2 | 1 | 0 | Access | r | r | r | r | r | r | r | r   | Flag     | VOUT           | IOU_T_P_OUT | X                | MFR      | PGOOD    | X    | X   |                   | Default Value | 0 | 0 | 0 | 0 | 0 | 0 | 0 |   | Bit Position | 7 | 6 | 5 | 4 | 3 | 2 | 1 | 0 | Access | r   | r   | r   | r   | r   | r   | r   | r   | Flag     | X        | OFF | VOUT_OV | IOU_T_OC | VIN_UV | TEMP | CML | Not at | Default Value | 0 | X | 0 | 0 | 0 | 0 | 0 |   |     |
| Format        | Unsigned Binary                          |   |                             |                                 |          |      |     |                   |  |  |  |              |   |   |   |   |   |   |   |   |        |   |   |   |   |   |   |   |     |          |                |             |                  |          |          |      |     |                   |               |   |   |   |   |   |   |   |   |              |   |   |   |   |   |   |   |   |        |     |     |     |     |     |     |     |     |          |          |     |         |          |        |      |     |        |               |   |   |   |   |   |   |   |   |     |
| Bit Position  | 7  | 6   | 5                           | 4                               | 3        | 2    | 1   | 0                 |  |  |  |              |   |   |   |   |   |   |   |   |        |   |   |   |   |   |   |   |     |          |                |             |                  |          |          |      |     |                   |               |   |   |   |   |   |   |   |   |              |   |   |   |   |   |   |   |   |        |     |     |     |     |     |     |     |     |          |          |     |         |          |        |      |     |        |               |   |   |   |   |   |   |   |   |     |
| Access        | r  | r   | r                           | r                               | r        | r    | r   | r                 |  |  |  |              |   |   |   |   |   |   |   |   |        |   |   |   |   |   |   |   |     |          |                |             |                  |          |          |      |     |                   |               |   |   |   |   |   |   |   |   |              |   |   |   |   |   |   |   |   |        |     |     |     |     |     |     |     |     |          |          |     |         |          |        |      |     |        |               |   |   |   |   |   |   |   |   |     |
| Flag          | VOUT                                     | IOU_T_P_OUT   | X                           | MFR                             | PGOOD    | X    | X   |                   |  |  |  |              |   |   |   |   |   |   |   |   |        |   |   |   |   |   |   |   |     |          |                |             |                  |          |          |      |     |                   |               |   |   |   |   |   |   |   |   |              |   |   |   |   |   |   |   |   |        |     |     |     |     |     |     |     |     |          |          |     |         |          |        |      |     |        |               |   |   |   |   |   |   |   |   |     |
| Default Value | 0  | 0   | 0                           | 0                               | 0        | 0    | 0   |                   |  |  |  |              |   |   |   |   |   |   |   |   |        |   |   |   |   |   |   |   |     |          |                |             |                  |          |          |      |     |                   |               |   |   |   |   |   |   |   |   |              |   |   |   |   |   |   |   |   |        |     |     |     |     |     |     |     |     |          |          |     |         |          |        |      |     |        |               |   |   |   |   |   |   |   |   |     |
| Bit Position  | 7  | 6   | 5                           | 4                               | 3        | 2    | 1   | 0                 |  |  |  |              |   |   |   |   |   |   |   |   |        |   |   |   |   |   |   |   |     |          |                |             |                  |          |          |      |     |                   |               |   |   |   |   |   |   |   |   |              |   |   |   |   |   |   |   |   |        |     |     |     |     |     |     |     |     |          |          |     |         |          |        |      |     |        |               |   |   |   |   |   |   |   |   |     |
| Access        | r  | r   | r                           | r                               | r        | r    | r   | r                 |  |  |  |              |   |   |   |   |   |   |   |   |        |   |   |   |   |   |   |   |     |          |                |             |                  |          |          |      |     |                   |               |   |   |   |   |   |   |   |   |              |   |   |   |   |   |   |   |   |        |     |     |     |     |     |     |     |     |          |          |     |         |          |        |      |     |        |               |   |   |   |   |   |   |   |   |     |
| Flag          | X  | OFF   | VOUT_OV                     | IOU_T_OC                        | VIN_UV   | TEMP | CML | Not at            |  |  |  |              |   |   |   |   |   |   |   |   |        |   |   |   |   |   |   |   |     |          |                |             |                  |          |          |      |     |                   |               |   |   |   |   |   |   |   |   |              |   |   |   |   |   |   |   |   |        |     |     |     |     |     |     |     |     |          |          |     |         |          |        |      |     |        |               |   |   |   |   |   |   |   |   |     |
| Default Value | 0  | X   | 0                           | 0                               | 0        | 0    | 0   |                   |  |  |  |              |   |   |   |   |   |   |   |   |        |   |   |   |   |   |   |   |     |          |                |             |                  |          |          |      |     |                   |               |   |   |   |   |   |   |   |   |              |   |   |   |   |   |   |   |   |        |     |     |     |     |     |     |     |     |          |          |     |         |          |        |      |     |        |               |   |   |   |   |   |   |   |   |     |
| 7A            | STATUS_VOUT                              | <p>Returns one byte of information with the status of the module's output voltage related faults</p> <table border="1"> <tr> <th>Format</th> <td colspan="8">Unsigned Binary</td> </tr> <tr> <th>Bit Position</th> <td>7</td><td>6</td><td>5</td><td>4</td><td>3</td><td>2</td><td>1</td><td>0</td> </tr> <tr> <th>Access</th> <td>r</td><td>r</td><td>r</td><td>r</td><td>r</td><td>r</td><td>r</td><td>r</td> </tr> <tr> <th>Flag</th> <td>VOUT_OV</td><td>X</td><td>X</td><td>VOUT_UV</td><td>X</td><td>X</td><td>X</td><td>X</td> </tr> <tr> <th>Default Value</th> <td>0</td><td>0</td><td>0</td><td>0</td><td>0</td><td>0</td><td>0</td><td>0</td> </tr> </table>   | Format                      | Unsigned Binary                 |          |      |     |                   |  |  |  | Bit Position | 7 | 6 | 5 | 4 | 3 | 2 | 1 | 0 | Access | r | r | r | r | r | r | r | r   | Flag     | VOUT_OV        | X           | X                | VOUT_UV  | X        | X    | X   | X                 | Default Value | 0 | 0 | 0 | 0 | 0 | 0 | 0 | 0 |              |   |   |   |   |   |   |   |   |        |     |     |     |     |     |     |     |     |          |          |     |         |          |        |      |     |        |               |   |   |   |   |   |   |   |   |     |
| Format        | Unsigned Binary                          |   |                             |                                 |          |      |     |                   |  |  |  |              |   |   |   |   |   |   |   |   |        |   |   |   |   |   |   |   |     |          |                |             |                  |          |          |      |     |                   |               |   |   |   |   |   |   |   |   |              |   |   |   |   |   |   |   |   |        |     |     |     |     |     |     |     |     |          |          |     |         |          |        |      |     |        |               |   |   |   |   |   |   |   |   |     |
| Bit Position  | 7  | 6   | 5                           | 4                               | 3        | 2    | 1   | 0                 |  |  |  |              |   |   |   |   |   |   |   |   |        |   |   |   |   |   |   |   |     |          |                |             |                  |          |          |      |     |                   |               |   |   |   |   |   |   |   |   |              |   |   |   |   |   |   |   |   |        |     |     |     |     |     |     |     |     |          |          |     |         |          |        |      |     |        |               |   |   |   |   |   |   |   |   |     |
| Access        | r  | r   | r                           | r                               | r        | r    | r   | r                 |  |  |  |              |   |   |   |   |   |   |   |   |        |   |   |   |   |   |   |   |     |          |                |             |                  |          |          |      |     |                   |               |   |   |   |   |   |   |   |   |              |   |   |   |   |   |   |   |   |        |     |     |     |     |     |     |     |     |          |          |     |         |          |        |      |     |        |               |   |   |   |   |   |   |   |   |     |
| Flag          | VOUT_OV                                  | X   | X                           | VOUT_UV                         | X        | X    | X   | X                 |  |  |  |              |   |   |   |   |   |   |   |   |        |   |   |   |   |   |   |   |     |          |                |             |                  |          |          |      |     |                   |               |   |   |   |   |   |   |   |   |              |   |   |   |   |   |   |   |   |        |     |     |     |     |     |     |     |     |          |          |     |         |          |        |      |     |        |               |   |   |   |   |   |   |   |   |     |
| Default Value | 0  | 0   | 0                           | 0                               | 0        | 0    | 0   | 0                 |  |  |  |              |   |   |   |   |   |   |   |   |        |   |   |   |   |   |   |   |     |          |                |             |                  |          |          |      |     |                   |               |   |   |   |   |   |   |   |   |              |   |   |   |   |   |   |   |   |        |     |     |     |     |     |     |     |     |          |          |     |         |          |        |      |     |        |               |   |   |   |   |   |   |   |   |     |
| 7B            | STATUS_IOU_T                             | <p>Returns one byte of information with the status of the module's output current related faults</p> <table border="1"> <tr> <th>Format</th> <td colspan="8">Unsigned Binary</td> </tr> <tr> <th>Bit Position</th> <td>7</td><td>6</td><td>5</td><td>4</td><td>3</td><td>2</td><td>1</td><td>0</td> </tr> <tr> <th>Access</th> <td>r</td><td>r</td><td>r</td><td>r</td><td>r</td><td>r</td><td>r</td><td>r</td> </tr> <tr> <th>Flag</th> <td>IOU_T_OC Fault</td><td>X</td><td>IOU_T_OC Warning</td><td>X</td><td>X</td><td>X</td><td>X</td><td>X</td> </tr> <tr> <th>Default Value</th> <td>0</td><td>0</td><td>0</td><td>0</td><td>0</td><td>0</td><td>0</td><td>0</td> </tr> </table>   | Format                      | Unsigned Binary                 |          |      |     |                   |  |  |  | Bit Position | 7 | 6 | 5 | 4 | 3 | 2 | 1 | 0 | Access | r | r | r | r | r | r | r | r   | Flag     | IOU_T_OC Fault | X           | IOU_T_OC Warning | X        | X        | X    | X   | X                 | Default Value | 0 | 0 | 0 | 0 | 0 | 0 | 0 | 0 |              |   |   |   |   |   |   |   |   |        |     |     |     |     |     |     |     |     |          |          |     |         |          |        |      |     |        |               |   |   |   |   |   |   |   |   |     |
| Format        | Unsigned Binary                          |   |                             |                                 |          |      |     |                   |  |  |  |              |   |   |   |   |   |   |   |   |        |   |   |   |   |   |   |   |     |          |                |             |                  |          |          |      |     |                   |               |   |   |   |   |   |   |   |   |              |   |   |   |   |   |   |   |   |        |     |     |     |     |     |     |     |     |          |          |     |         |          |        |      |     |        |               |   |   |   |   |   |   |   |   |     |
| Bit Position  | 7  | 6   | 5                           | 4                               | 3        | 2    | 1   | 0                 |  |  |  |              |   |   |   |   |   |   |   |   |        |   |   |   |   |   |   |   |     |          |                |             |                  |          |          |      |     |                   |               |   |   |   |   |   |   |   |   |              |   |   |   |   |   |   |   |   |        |     |     |     |     |     |     |     |     |          |          |     |         |          |        |      |     |        |               |   |   |   |   |   |   |   |   |     |
| Access        | r  | r   | r                           | r                               | r        | r    | r   | r                 |  |  |  |              |   |   |   |   |   |   |   |   |        |   |   |   |   |   |   |   |     |          |                |             |                  |          |          |      |     |                   |               |   |   |   |   |   |   |   |   |              |   |   |   |   |   |   |   |   |        |     |     |     |     |     |     |     |     |          |          |     |         |          |        |      |     |        |               |   |   |   |   |   |   |   |   |     |
| Flag          | IOU_T_OC Fault                           | X   | IOU_T_OC Warning            | X                               | X        | X    | X   | X                 |  |  |  |              |   |   |   |   |   |   |   |   |        |   |   |   |   |   |   |   |     |          |                |             |                  |          |          |      |     |                   |               |   |   |   |   |   |   |   |   |              |   |   |   |   |   |   |   |   |        |     |     |     |     |     |     |     |     |          |          |     |         |          |        |      |     |        |               |   |   |   |   |   |   |   |   |     |
| Default Value | 0  | 0   | 0                           | 0                               | 0        | 0    | 0   | 0                 |  |  |  |              |   |   |   |   |   |   |   |   |        |   |   |   |   |   |   |   |     |          |                |             |                  |          |          |      |     |                   |               |   |   |   |   |   |   |   |   |              |   |   |   |   |   |   |   |   |        |     |     |     |     |     |     |     |     |          |          |     |         |          |        |      |     |        |               |   |   |   |   |   |   |   |   |     |

7A Digital PicoDlynxII™: Non-Isolated DC-DC Power Modules

4.5Vdc –14.4Vdc input; 0.51Vdc to 5.5Vdc output; 7A Output Current

| Hex Code      | Command                         | Brief Description  | Non-Volatile Memory Storage |                                 |          |   |                  |          |  |  |  |              |   |   |   |   |   |   |   |   |        |   |   |   |   |   |   |   |   |          |                 |              |          |                       |          |   |                  |          |               |   |   |   |   |   |   |   |   |              |   |   |   |   |   |   |   |   |        |   |   |   |   |   |   |   |   |          |          |  |  |  |  |  |  |  |               |   |   |   |   |   |   |   |   |  |
|---------------|---------------------------------|--|-----------------------------|---------------------------------|----------|---|------------------|----------|--|--|--|--------------|---|---|---|---|---|---|---|---|--------|---|---|---|---|---|---|---|---|----------|-----------------|--------------|----------|-----------------------|----------|---|------------------|----------|---------------|---|---|---|---|---|---|---|---|--------------|---|---|---|---|---|---|---|---|--------|---|---|---|---|---|---|---|---|----------|----------|--|--|--|--|--|--|--|---------------|---|---|---|---|---|---|---|---|--|
| 7D            | STATUS_TEMPERATURE              | <p>Returns one byte of information with the status of the module's temperature related faults</p> <table border="1"> <thead> <tr> <th>Format</th> <th colspan="8">Unsigned Binary</th> </tr> </thead> <tbody> <tr> <td>Bit Position</td> <td>7</td> <td>6</td> <td>5</td> <td>4</td> <td>3</td> <td>2</td> <td>1</td> <td>0</td> </tr> <tr> <td>Access</td> <td>r</td> <td>r</td> <td>r</td> <td>r</td> <td>r</td> <td>r</td> <td>r</td> <td>r</td> </tr> <tr> <td>Flag</td> <td>OT_FAULT</td> <td>OT_WARN</td> <td>X</td> <td>X</td> <td>X</td> <td>X</td> <td>X</td> <td>X</td> </tr> <tr> <td>Default Value</td> <td>0</td> <td>0</td> <td>0</td> <td>0</td> <td>0</td> <td>0</td> <td>0</td> <td>0</td> </tr> </tbody> </table>  | Format                      | Unsigned Binary                 |          |   |                  |          |  |  |  | Bit Position | 7 | 6 | 5 | 4 | 3 | 2 | 1 | 0 | Access | r | r | r | r | r | r | r | r | Flag     | OT_FAULT        | OT_WARN      | X        | X                     | X        | X | X                | X        | Default Value | 0 | 0 | 0 | 0 | 0 | 0 | 0 | 0 |              |   |   |   |   |   |   |   |   |        |   |   |   |   |   |   |   |   |          |          |  |  |  |  |  |  |  |               |   |   |   |   |   |   |   |   |  |
| Format        | Unsigned Binary                 |  |                             |                                 |          |   |                  |          |  |  |  |              |   |   |   |   |   |   |   |   |        |   |   |   |   |   |   |   |   |          |                 |              |          |                       |          |   |                  |          |               |   |   |   |   |   |   |   |   |              |   |   |   |   |   |   |   |   |        |   |   |   |   |   |   |   |   |          |          |  |  |  |  |  |  |  |               |   |   |   |   |   |   |   |   |  |
| Bit Position  | 7                               | 6  | 5                           | 4                               | 3        | 2 | 1                | 0        |  |  |  |              |   |   |   |   |   |   |   |   |        |   |   |   |   |   |   |   |   |          |                 |              |          |                       |          |   |                  |          |               |   |   |   |   |   |   |   |   |              |   |   |   |   |   |   |   |   |        |   |   |   |   |   |   |   |   |          |          |  |  |  |  |  |  |  |               |   |   |   |   |   |   |   |   |  |
| Access        | r                               | r  | r                           | r                               | r        | r | r                | r        |  |  |  |              |   |   |   |   |   |   |   |   |        |   |   |   |   |   |   |   |   |          |                 |              |          |                       |          |   |                  |          |               |   |   |   |   |   |   |   |   |              |   |   |   |   |   |   |   |   |        |   |   |   |   |   |   |   |   |          |          |  |  |  |  |  |  |  |               |   |   |   |   |   |   |   |   |  |
| Flag          | OT_FAULT                        | OT_WARN  | X                           | X                               | X        | X | X                | X        |  |  |  |              |   |   |   |   |   |   |   |   |        |   |   |   |   |   |   |   |   |          |                 |              |          |                       |          |   |                  |          |               |   |   |   |   |   |   |   |   |              |   |   |   |   |   |   |   |   |        |   |   |   |   |   |   |   |   |          |          |  |  |  |  |  |  |  |               |   |   |   |   |   |   |   |   |  |
| Default Value | 0                               | 0  | 0                           | 0                               | 0        | 0 | 0                | 0        |  |  |  |              |   |   |   |   |   |   |   |   |        |   |   |   |   |   |   |   |   |          |                 |              |          |                       |          |   |                  |          |               |   |   |   |   |   |   |   |   |              |   |   |   |   |   |   |   |   |        |   |   |   |   |   |   |   |   |          |          |  |  |  |  |  |  |  |               |   |   |   |   |   |   |   |   |  |
| 7E            | STATUS_CML                      | <p>Returns one byte of information with the status of the module's communication related faults</p> <table border="1"> <thead> <tr> <th>Format</th> <th colspan="8">Unsigned Binary</th> </tr> </thead> <tbody> <tr> <td>Bit Position</td> <td>7</td> <td>6</td> <td>5</td> <td>4</td> <td>3</td> <td>2</td> <td>1</td> <td>0</td> </tr> <tr> <td>Access</td> <td>r</td> <td>r</td> <td>r</td> <td>r</td> <td>r</td> <td>r</td> <td>r</td> <td>r</td> </tr> <tr> <td>Flag</td> <td>Invalid Command</td> <td>Invalid Data</td> <td>PEC Fail</td> <td>Memory fault detected</td> <td>X</td> <td>X</td> <td>Other Comm Fault</td> <td>X</td> </tr> <tr> <td>Default Value</td> <td>0</td> <td>0</td> <td>0</td> <td>0</td> <td>0</td> <td>0</td> <td>0</td> <td>0</td> </tr> </tbody> </table>  | Format                      | Unsigned Binary                 |          |   |                  |          |  |  |  | Bit Position | 7 | 6 | 5 | 4 | 3 | 2 | 1 | 0 | Access | r | r | r | r | r | r | r | r | Flag     | Invalid Command | Invalid Data | PEC Fail | Memory fault detected | X        | X | Other Comm Fault | X        | Default Value | 0 | 0 | 0 | 0 | 0 | 0 | 0 | 0 |              |   |   |   |   |   |   |   |   |        |   |   |   |   |   |   |   |   |          |          |  |  |  |  |  |  |  |               |   |   |   |   |   |   |   |   |  |
| Format        | Unsigned Binary                 |  |                             |                                 |          |   |                  |          |  |  |  |              |   |   |   |   |   |   |   |   |        |   |   |   |   |   |   |   |   |          |                 |              |          |                       |          |   |                  |          |               |   |   |   |   |   |   |   |   |              |   |   |   |   |   |   |   |   |        |   |   |   |   |   |   |   |   |          |          |  |  |  |  |  |  |  |               |   |   |   |   |   |   |   |   |  |
| Bit Position  | 7                               | 6  | 5                           | 4                               | 3        | 2 | 1                | 0        |  |  |  |              |   |   |   |   |   |   |   |   |        |   |   |   |   |   |   |   |   |          |                 |              |          |                       |          |   |                  |          |               |   |   |   |   |   |   |   |   |              |   |   |   |   |   |   |   |   |        |   |   |   |   |   |   |   |   |          |          |  |  |  |  |  |  |  |               |   |   |   |   |   |   |   |   |  |
| Access        | r                               | r  | r                           | r                               | r        | r | r                | r        |  |  |  |              |   |   |   |   |   |   |   |   |        |   |   |   |   |   |   |   |   |          |                 |              |          |                       |          |   |                  |          |               |   |   |   |   |   |   |   |   |              |   |   |   |   |   |   |   |   |        |   |   |   |   |   |   |   |   |          |          |  |  |  |  |  |  |  |               |   |   |   |   |   |   |   |   |  |
| Flag          | Invalid Command                 | Invalid Data   | PEC Fail                    | Memory fault detected           | X        | X | Other Comm Fault | X        |  |  |  |              |   |   |   |   |   |   |   |   |        |   |   |   |   |   |   |   |   |          |                 |              |          |                       |          |   |                  |          |               |   |   |   |   |   |   |   |   |              |   |   |   |   |   |   |   |   |        |   |   |   |   |   |   |   |   |          |          |  |  |  |  |  |  |  |               |   |   |   |   |   |   |   |   |  |
| Default Value | 0                               | 0  | 0                           | 0                               | 0        | 0 | 0                | 0        |  |  |  |              |   |   |   |   |   |   |   |   |        |   |   |   |   |   |   |   |   |          |                 |              |          |                       |          |   |                  |          |               |   |   |   |   |   |   |   |   |              |   |   |   |   |   |   |   |   |        |   |   |   |   |   |   |   |   |          |          |  |  |  |  |  |  |  |               |   |   |   |   |   |   |   |   |  |
| 80            | STATUS_MFR_SPECIFIC             | <p>Returns one byte of information with the status of the module specific faults or warning</p> <table border="1"> <thead> <tr> <th>Format</th> <th colspan="8">Unsigned Binary</th> </tr> </thead> <tbody> <tr> <td>Bit Position</td> <td>7</td> <td>6</td> <td>5</td> <td>4</td> <td>3</td> <td>2</td> <td>1</td> <td>0</td> </tr> <tr> <td>Access</td> <td>r</td> <td>r</td> <td>r</td> <td>r</td> <td>r</td> <td>r</td> <td>r</td> <td>R</td> </tr> <tr> <td>Flag</td> <td>OTFI</td> <td>x</td> <td>X</td> <td>IVADDR</td> <td>X</td> <td>X</td> <td>X</td> <td>TWOPH_EN</td> </tr> <tr> <td>Default Value</td> <td>0</td> <td>0</td> <td>0</td> <td>0</td> <td>0</td> <td>0</td> <td>0</td> <td>0</td> </tr> </tbody> </table> <p>OTFI – Internal Temperature above Thermal Shutdown threshold<br/>                     IVADDR – PMBUS address is not valid<br/>                     TWOPH_EN – Module is in 2 phase mode</p>   | Format                      | Unsigned Binary                 |          |   |                  |          |  |  |  | Bit Position | 7 | 6 | 5 | 4 | 3 | 2 | 1 | 0 | Access | r | r | r | r | r | r | r | R | Flag     | OTFI            | x            | X        | IVADDR                | X        | X | X                | TWOPH_EN | Default Value | 0 | 0 | 0 | 0 | 0 | 0 | 0 | 0 |              |   |   |   |   |   |   |   |   |        |   |   |   |   |   |   |   |   |          |          |  |  |  |  |  |  |  |               |   |   |   |   |   |   |   |   |  |
| Format        | Unsigned Binary                 |  |                             |                                 |          |   |                  |          |  |  |  |              |   |   |   |   |   |   |   |   |        |   |   |   |   |   |   |   |   |          |                 |              |          |                       |          |   |                  |          |               |   |   |   |   |   |   |   |   |              |   |   |   |   |   |   |   |   |        |   |   |   |   |   |   |   |   |          |          |  |  |  |  |  |  |  |               |   |   |   |   |   |   |   |   |  |
| Bit Position  | 7                               | 6  | 5                           | 4                               | 3        | 2 | 1                | 0        |  |  |  |              |   |   |   |   |   |   |   |   |        |   |   |   |   |   |   |   |   |          |                 |              |          |                       |          |   |                  |          |               |   |   |   |   |   |   |   |   |              |   |   |   |   |   |   |   |   |        |   |   |   |   |   |   |   |   |          |          |  |  |  |  |  |  |  |               |   |   |   |   |   |   |   |   |  |
| Access        | r                               | r  | r                           | r                               | r        | r | r                | R        |  |  |  |              |   |   |   |   |   |   |   |   |        |   |   |   |   |   |   |   |   |          |                 |              |          |                       |          |   |                  |          |               |   |   |   |   |   |   |   |   |              |   |   |   |   |   |   |   |   |        |   |   |   |   |   |   |   |   |          |          |  |  |  |  |  |  |  |               |   |   |   |   |   |   |   |   |  |
| Flag          | OTFI                            | x  | X                           | IVADDR                          | X        | X | X                | TWOPH_EN |  |  |  |              |   |   |   |   |   |   |   |   |        |   |   |   |   |   |   |   |   |          |                 |              |          |                       |          |   |                  |          |               |   |   |   |   |   |   |   |   |              |   |   |   |   |   |   |   |   |        |   |   |   |   |   |   |   |   |          |          |  |  |  |  |  |  |  |               |   |   |   |   |   |   |   |   |  |
| Default Value | 0                               | 0  | 0                           | 0                               | 0        | 0 | 0                | 0        |  |  |  |              |   |   |   |   |   |   |   |   |        |   |   |   |   |   |   |   |   |          |                 |              |          |                       |          |   |                  |          |               |   |   |   |   |   |   |   |   |              |   |   |   |   |   |   |   |   |        |   |   |   |   |   |   |   |   |          |          |  |  |  |  |  |  |  |               |   |   |   |   |   |   |   |   |  |
| 8B            | READ_VOUT                       | <p>Returns the value of the output voltage of the module. Exponent is fixed at -9.</p> <table border="1"> <thead> <tr> <th>Format</th> <th colspan="8">Linear, two's complement binary</th> </tr> </thead> <tbody> <tr> <td>Bit Position</td> <td>7</td> <td>6</td> <td>5</td> <td>4</td> <td>3</td> <td>2</td> <td>1</td> <td>0</td> </tr> <tr> <td>Access</td> <td>r</td> <td>r</td> <td>r</td> <td>r</td> <td>r</td> <td>r</td> <td>r</td> <td>r</td> </tr> <tr> <td>Function</td> <td colspan="8">Mantissa</td> </tr> <tr> <td>Default Value</td> <td>0</td> <td>0</td> <td>0</td> <td>0</td> <td>0</td> <td>0</td> <td>0</td> <td>0</td> </tr> <tr> <td>Bit Position</td> <td>7</td> <td>6</td> <td>5</td> <td>4</td> <td>3</td> <td>2</td> <td>1</td> <td>0</td> </tr> <tr> <td>Access</td> <td>r</td> <td>r</td> <td>r</td> <td>r</td> <td>r</td> <td>r</td> <td>r</td> <td>r</td> </tr> <tr> <td>Function</td> <td colspan="8">Mantissa</td> </tr> <tr> <td>Default Value</td> <td>0</td> <td>0</td> <td>0</td> <td>0</td> <td>0</td> <td>0</td> <td>0</td> <td>0</td> </tr> </tbody> </table>                         | Format                      | Linear, two's complement binary |          |   |                  |          |  |  |  | Bit Position | 7 | 6 | 5 | 4 | 3 | 2 | 1 | 0 | Access | r | r | r | r | r | r | r | r | Function | Mantissa        |              |          |                       |          |   |                  |          | Default Value | 0 | 0 | 0 | 0 | 0 | 0 | 0 | 0 | Bit Position | 7 | 6 | 5 | 4 | 3 | 2 | 1 | 0 | Access | r | r | r | r | r | r | r | r | Function | Mantissa |  |  |  |  |  |  |  | Default Value | 0 | 0 | 0 | 0 | 0 | 0 | 0 | 0 |  |
| Format        | Linear, two's complement binary |  |                             |                                 |          |   |                  |          |  |  |  |              |   |   |   |   |   |   |   |   |        |   |   |   |   |   |   |   |   |          |                 |              |          |                       |          |   |                  |          |               |   |   |   |   |   |   |   |   |              |   |   |   |   |   |   |   |   |        |   |   |   |   |   |   |   |   |          |          |  |  |  |  |  |  |  |               |   |   |   |   |   |   |   |   |  |
| Bit Position  | 7                               | 6  | 5                           | 4                               | 3        | 2 | 1                | 0        |  |  |  |              |   |   |   |   |   |   |   |   |        |   |   |   |   |   |   |   |   |          |                 |              |          |                       |          |   |                  |          |               |   |   |   |   |   |   |   |   |              |   |   |   |   |   |   |   |   |        |   |   |   |   |   |   |   |   |          |          |  |  |  |  |  |  |  |               |   |   |   |   |   |   |   |   |  |
| Access        | r                               | r  | r                           | r                               | r        | r | r                | r        |  |  |  |              |   |   |   |   |   |   |   |   |        |   |   |   |   |   |   |   |   |          |                 |              |          |                       |          |   |                  |          |               |   |   |   |   |   |   |   |   |              |   |   |   |   |   |   |   |   |        |   |   |   |   |   |   |   |   |          |          |  |  |  |  |  |  |  |               |   |   |   |   |   |   |   |   |  |
| Function      | Mantissa                        |  |                             |                                 |          |   |                  |          |  |  |  |              |   |   |   |   |   |   |   |   |        |   |   |   |   |   |   |   |   |          |                 |              |          |                       |          |   |                  |          |               |   |   |   |   |   |   |   |   |              |   |   |   |   |   |   |   |   |        |   |   |   |   |   |   |   |   |          |          |  |  |  |  |  |  |  |               |   |   |   |   |   |   |   |   |  |
| Default Value | 0                               | 0  | 0                           | 0                               | 0        | 0 | 0                | 0        |  |  |  |              |   |   |   |   |   |   |   |   |        |   |   |   |   |   |   |   |   |          |                 |              |          |                       |          |   |                  |          |               |   |   |   |   |   |   |   |   |              |   |   |   |   |   |   |   |   |        |   |   |   |   |   |   |   |   |          |          |  |  |  |  |  |  |  |               |   |   |   |   |   |   |   |   |  |
| Bit Position  | 7                               | 6  | 5                           | 4                               | 3        | 2 | 1                | 0        |  |  |  |              |   |   |   |   |   |   |   |   |        |   |   |   |   |   |   |   |   |          |                 |              |          |                       |          |   |                  |          |               |   |   |   |   |   |   |   |   |              |   |   |   |   |   |   |   |   |        |   |   |   |   |   |   |   |   |          |          |  |  |  |  |  |  |  |               |   |   |   |   |   |   |   |   |  |
| Access        | r                               | r  | r                           | r                               | r        | r | r                | r        |  |  |  |              |   |   |   |   |   |   |   |   |        |   |   |   |   |   |   |   |   |          |                 |              |          |                       |          |   |                  |          |               |   |   |   |   |   |   |   |   |              |   |   |   |   |   |   |   |   |        |   |   |   |   |   |   |   |   |          |          |  |  |  |  |  |  |  |               |   |   |   |   |   |   |   |   |  |
| Function      | Mantissa                        |  |                             |                                 |          |   |                  |          |  |  |  |              |   |   |   |   |   |   |   |   |        |   |   |   |   |   |   |   |   |          |                 |              |          |                       |          |   |                  |          |               |   |   |   |   |   |   |   |   |              |   |   |   |   |   |   |   |   |        |   |   |   |   |   |   |   |   |          |          |  |  |  |  |  |  |  |               |   |   |   |   |   |   |   |   |  |
| Default Value | 0                               | 0  | 0                           | 0                               | 0        | 0 | 0                | 0        |  |  |  |              |   |   |   |   |   |   |   |   |        |   |   |   |   |   |   |   |   |          |                 |              |          |                       |          |   |                  |          |               |   |   |   |   |   |   |   |   |              |   |   |   |   |   |   |   |   |        |   |   |   |   |   |   |   |   |          |          |  |  |  |  |  |  |  |               |   |   |   |   |   |   |   |   |  |
| 8C            | READ_IOUT                       | <p>Returns the value of the output current of the module</p> <table border="1"> <thead> <tr> <th>Format</th> <th colspan="8">Linear, two's complement binary</th> </tr> </thead> <tbody> <tr> <td>Bit Position</td> <td>7</td> <td>6</td> <td>5</td> <td>4</td> <td>3</td> <td>2</td> <td>1</td> <td>0</td> </tr> <tr> <td>Access</td> <td>r</td> <td>r</td> <td>r</td> <td>r</td> <td>R</td> <td>r</td> <td>r</td> <td>r</td> </tr> <tr> <td>Function</td> <td colspan="4">Exponent</td> <td colspan="4">Mantissa</td> </tr> <tr> <td>Default Value</td> <td>1</td> <td>1</td> <td>1</td> <td>0</td> <td>0</td> <td>V</td> <td>V</td> <td>V</td> </tr> <tr> <td>Bit Position</td> <td>7</td> <td>6</td> <td>5</td> <td>4</td> <td>3</td> <td>2</td> <td>1</td> <td>0</td> </tr> <tr> <td>Access</td> <td>r</td> <td>r</td> <td>r</td> <td>r</td> <td>r</td> <td>r</td> <td>r</td> <td>r</td> </tr> <tr> <td>Function</td> <td colspan="8">Mantissa</td> </tr> <tr> <td>Default Value</td> <td>V</td> <td>V</td> <td>V</td> <td>V</td> <td>V</td> <td>V</td> <td>V</td> <td>0</td> </tr> </tbody> </table> <p>V - Variable</p> | Format                      | Linear, two's complement binary |          |   |                  |          |  |  |  | Bit Position | 7 | 6 | 5 | 4 | 3 | 2 | 1 | 0 | Access | r | r | r | r | R | r | r | r | Function | Exponent        |              |          |                       | Mantissa |   |                  |          | Default Value | 1 | 1 | 1 | 0 | 0 | V | V | V | Bit Position | 7 | 6 | 5 | 4 | 3 | 2 | 1 | 0 | Access | r | r | r | r | r | r | r | r | Function | Mantissa |  |  |  |  |  |  |  | Default Value | V | V | V | V | V | V | V | 0 |  |
| Format        | Linear, two's complement binary |  |                             |                                 |          |   |                  |          |  |  |  |              |   |   |   |   |   |   |   |   |        |   |   |   |   |   |   |   |   |          |                 |              |          |                       |          |   |                  |          |               |   |   |   |   |   |   |   |   |              |   |   |   |   |   |   |   |   |        |   |   |   |   |   |   |   |   |          |          |  |  |  |  |  |  |  |               |   |   |   |   |   |   |   |   |  |
| Bit Position  | 7                               | 6  | 5                           | 4                               | 3        | 2 | 1                | 0        |  |  |  |              |   |   |   |   |   |   |   |   |        |   |   |   |   |   |   |   |   |          |                 |              |          |                       |          |   |                  |          |               |   |   |   |   |   |   |   |   |              |   |   |   |   |   |   |   |   |        |   |   |   |   |   |   |   |   |          |          |  |  |  |  |  |  |  |               |   |   |   |   |   |   |   |   |  |
| Access        | r                               | r  | r                           | r                               | R        | r | r                | r        |  |  |  |              |   |   |   |   |   |   |   |   |        |   |   |   |   |   |   |   |   |          |                 |              |          |                       |          |   |                  |          |               |   |   |   |   |   |   |   |   |              |   |   |   |   |   |   |   |   |        |   |   |   |   |   |   |   |   |          |          |  |  |  |  |  |  |  |               |   |   |   |   |   |   |   |   |  |
| Function      | Exponent                        |  |                             |                                 | Mantissa |   |                  |          |  |  |  |              |   |   |   |   |   |   |   |   |        |   |   |   |   |   |   |   |   |          |                 |              |          |                       |          |   |                  |          |               |   |   |   |   |   |   |   |   |              |   |   |   |   |   |   |   |   |        |   |   |   |   |   |   |   |   |          |          |  |  |  |  |  |  |  |               |   |   |   |   |   |   |   |   |  |
| Default Value | 1                               | 1  | 1                           | 0                               | 0        | V | V                | V        |  |  |  |              |   |   |   |   |   |   |   |   |        |   |   |   |   |   |   |   |   |          |                 |              |          |                       |          |   |                  |          |               |   |   |   |   |   |   |   |   |              |   |   |   |   |   |   |   |   |        |   |   |   |   |   |   |   |   |          |          |  |  |  |  |  |  |  |               |   |   |   |   |   |   |   |   |  |
| Bit Position  | 7                               | 6  | 5                           | 4                               | 3        | 2 | 1                | 0        |  |  |  |              |   |   |   |   |   |   |   |   |        |   |   |   |   |   |   |   |   |          |                 |              |          |                       |          |   |                  |          |               |   |   |   |   |   |   |   |   |              |   |   |   |   |   |   |   |   |        |   |   |   |   |   |   |   |   |          |          |  |  |  |  |  |  |  |               |   |   |   |   |   |   |   |   |  |
| Access        | r                               | r  | r                           | r                               | r        | r | r                | r        |  |  |  |              |   |   |   |   |   |   |   |   |        |   |   |   |   |   |   |   |   |          |                 |              |          |                       |          |   |                  |          |               |   |   |   |   |   |   |   |   |              |   |   |   |   |   |   |   |   |        |   |   |   |   |   |   |   |   |          |          |  |  |  |  |  |  |  |               |   |   |   |   |   |   |   |   |  |
| Function      | Mantissa                        |  |                             |                                 |          |   |                  |          |  |  |  |              |   |   |   |   |   |   |   |   |        |   |   |   |   |   |   |   |   |          |                 |              |          |                       |          |   |                  |          |               |   |   |   |   |   |   |   |   |              |   |   |   |   |   |   |   |   |        |   |   |   |   |   |   |   |   |          |          |  |  |  |  |  |  |  |               |   |   |   |   |   |   |   |   |  |
| Default Value | V                               | V  | V                           | V                               | V        | V | V                | 0        |  |  |  |              |   |   |   |   |   |   |   |   |        |   |   |   |   |   |   |   |   |          |                 |              |          |                       |          |   |                  |          |               |   |   |   |   |   |   |   |   |              |   |   |   |   |   |   |   |   |        |   |   |   |   |   |   |   |   |          |          |  |  |  |  |  |  |  |               |   |   |   |   |   |   |   |   |  |

7A Digital PicoDlynxII™: Non-Isolated DC-DC Power Modules  
 4.5Vdc –14.4Vdc input; 0.51Vdc to 5.5Vdc output; 7A Output Current

Table 6 (Continued)

| Hex Code     | Command               | Brief Description   | Non-Volatile Memory Storage |                                 |
|--------------|-----------------------|---|-----------------------------|---------------------------------|
| 8E           | READ_TEMPERATURE_2    | Returns the value of the external temperature in degree Celsius   |                             |                                 |
|              |                       | <b>Format</b>   |                             | Linear, two's complement binary |
|              |                       | <b>Bit Position</b>   |                             | 7 6 5 4 3 2 1 0                 |
|              |                       | <b>Access</b>   |                             | r r r r R r r r                 |
|              |                       | <b>Function</b>   |                             | Exponent Mantissa               |
|              |                       | <b>Default Value</b>  |                             | 0 0 0 0 0 V V V                 |
|              |                       | <b>Bit Position</b>   |                             | 7 6 5 4 3 2 1 0                 |
|              |                       | <b>Access</b>   |                             | r r r r r r r r                 |
|              |                       | <b>Function</b>   |                             | Mantissa                        |
|              |                       | <b>Default Value</b>  |                             | V V V V V V V 0                 |
| V - Variable |                       |   |                             |                                 |
| 98           | PMBUS_REVISION        | Returns one byte indicating the module is compliant to PMBus Spec. 1.1 (read only)  |                             |                                 |
|              |                       | <b>Format</b>   |                             | Unsigned Binary                 |
|              |                       | <b>Bit Position</b>   |                             | 7 6 5 4 3 2 1 0                 |
|              |                       | <b>Default Value</b>  |                             | 0 0 0 1 0 0 0 1                 |
| D0           | MFR_SPECIFIC_00       | Returns module name information   | YES                         |                                 |
|              |                       | <b>Format</b>   |                             | Unsigned Binary                 |
|              |                       | <b>Bit Position</b>   |                             | 7 6 5 4 3 2 1 0                 |
|              |                       | <b>Access</b>   |                             | r r r r r r r r                 |
|              |                       | <b>Function</b>   |                             | Reserved                        |
|              |                       | <b>Default Value</b>  |                             | 0 0 0 0 0 0 0 0                 |
|              |                       | <b>Bit Position</b>   |                             | 7 6 5 4 3 2 1 0                 |
|              |                       | <b>Default Value</b>  |                             | 0 0 1 1 1 1 1 0                 |
| D4           | VREF_TRIM             | Applies a fixed offset to the reference voltage. Max trim range is -20% to +10% in 2mV steps. Permissible values range between -120mV and +60mV. The offset is calculated as $VREF\_TRIM \times 2^{-9}$ . Exponent fixed at -9(dec)   | YES                         |                                 |
|              |                       | <b>Format</b>   |                             | Linear, two's complement binary |
|              |                       | <b>Bit Position</b>   |                             | 7 6 5 4 3 2 1 0                 |
|              |                       | <b>Access</b>   |                             | r/w r r r r r r                 |
|              |                       | <b>Function</b>   |                             | Mantissa                        |
|              |                       | <b>Default Value</b>  |                             | V V V V V V V V                 |
|              |                       | <b>Bit Position</b>   |                             | 7 6 5 4 3 2 1 0                 |
|              |                       | <b>Default Value</b>  |                             | V V V V V V V V                 |
| D5           | STEP_VREF_MARGIN_HIGH | Applies a fixed offset to the reference voltage. Adjustment is 0% to +10% in 2mV steps. Permissible values range between 0mV and +60mV. The offset is calculated as $(STEP\_VREF\_MARGIN\_HIGH + VREF\_TRIM) \times 2^{-9}$ . Exponent fixed at -9(dec). Net output voltage includes VREF_TRIM adjustment and ranges from -30% to 10% | YES                         |                                 |
|              |                       | <b>Format</b>   |                             | Linear, two's complement binary |
|              |                       | <b>Bit Position</b>   |                             | 7 6 5 4 3 2 1 0                 |
|              |                       | <b>Access</b>   |                             | r r r r r r r r                 |
|              |                       | <b>Function</b>   |                             | Mantissa                        |
|              |                       | <b>Default Value</b>  |                             | V V V V V V V V                 |
|              |                       | <b>Bit Position</b>   |                             | 7 6 5 4 3 2 1 0                 |
|              |                       | <b>Default Value</b>  |                             | V V V V V V V V                 |

7A Digital PicoDlynxII™: Non-Isolated DC-DC Power Modules

4.5Vdc –14.4Vdc input; 0.51Vdc to 5.5Vdc output; 7A Output Current

Table 6 (Continued)

| Hex Code      | Command                         | Brief Description   | Non-Volatile Memory Storage |                                 |              |             |         |         |  |  |  |              |   |   |   |   |   |   |   |   |        |     |     |     |   |     |     |     |     |          |           |   |   |   |            |   |         |         |               |   |   |   |   |   |   |   |   |              |          |        |             |              |              |             |        |   |        |        |       |       |      |      |       |     |     |          |          |       |      |      |      |   |   |        |               |        |      |      |      |   |   |        |       |        |      |      |      |  |
|---------------|---------------------------------|---|-----------------------------|---------------------------------|--------------|-------------|---------|---------|--|--|--|--------------|---|---|---|---|---|---|---|---|--------|-----|-----|-----|---|-----|-----|-----|-----|----------|-----------|---|---|---|------------|---|---------|---------|---------------|---|---|---|---|---|---|---|---|--------------|----------|--------|-------------|--------------|--------------|-------------|--------|---|--------|--------|-------|-------|------|------|-------|-----|-----|----------|----------|-------|------|------|------|---|---|--------|---------------|--------|------|------|------|---|---|--------|-------|--------|------|------|------|--|
| D6            | STEP_VREF_MARGIN_LOW            | <p>Applies a fixed negative offset to the reference voltage. Adjustment is -20% to 0% in 2mV steps. Permissible values range between -120mV and 0mV) The offset is calculated as (STEP_VREF_MARGIN_LOW + VREF_TRIM)x2<sup>-9</sup>.Exponent fixed at -9(dec). Net output voltage includes VREF_TRIM adjustment and ranges from -30% to 10%</p> <table border="1"> <thead> <tr> <th>Format</th> <th colspan="8">Linear, two's complement binary</th> </tr> </thead> <tbody> <tr> <td>Bit Position</td> <td>7</td> <td>6</td> <td>5</td> <td>4</td> <td>3</td> <td>2</td> <td>1</td> <td>0</td> </tr> <tr> <td>Access</td> <td>r</td> <td>r</td> <td>r</td> <td>r</td> <td>r</td> <td>r</td> <td>r</td> <td>r</td> </tr> <tr> <td>Function</td> <td colspan="8">Mantissa</td> </tr> <tr> <td>Default Value</td> <td>V</td> <td>V</td> <td>V</td> <td>V</td> <td>V</td> <td>V</td> <td>V</td> <td>V</td> </tr> <tr> <td>Bit Position</td> <td>7</td> <td>6</td> <td>5</td> <td>4</td> <td>3</td> <td>2</td> <td>1</td> <td>0</td> </tr> <tr> <td>Access</td> <td>r</td> <td>r</td> <td>r/w</td> <td>r/w</td> <td>r/w</td> <td>r/w</td> <td>r/w</td> <td>r/w</td> </tr> <tr> <td>Function</td> <td colspan="8">Mantissa</td> </tr> <tr> <td>Default Value</td> <td>V</td> <td>V</td> <td>V</td> <td>V</td> <td>V</td> <td>V</td> <td>V</td> <td>V</td> </tr> </tbody> </table>  | Format                      | Linear, two's complement binary |              |             |         |         |  |  |  | Bit Position | 7 | 6 | 5 | 4 | 3 | 2 | 1 | 0 | Access | r   | r   | r   | r | r   | r   | r   | r   | Function | Mantissa  |   |   |   |            |   |         |         | Default Value | V | V | V | V | V | V | V | V | Bit Position | 7        | 6      | 5           | 4            | 3            | 2           | 1      | 0 | Access | r      | r     | r/w   | r/w  | r/w  | r/w   | r/w | r/w | Function | Mantissa |       |      |      |      |   |   |        | Default Value | V      | V    | V    | V    | V | V | V      | V     | YES    |      |      |      |  |
| Format        | Linear, two's complement binary |   |                             |                                 |              |             |         |         |  |  |  |              |   |   |   |   |   |   |   |   |        |     |     |     |   |     |     |     |     |          |           |   |   |   |            |   |         |         |               |   |   |   |   |   |   |   |   |              |          |        |             |              |              |             |        |   |        |        |       |       |      |      |       |     |     |          |          |       |      |      |      |   |   |        |               |        |      |      |      |   |   |        |       |        |      |      |      |  |
| Bit Position  | 7                               | 6   | 5                           | 4                               | 3            | 2           | 1       | 0       |  |  |  |              |   |   |   |   |   |   |   |   |        |     |     |     |   |     |     |     |     |          |           |   |   |   |            |   |         |         |               |   |   |   |   |   |   |   |   |              |          |        |             |              |              |             |        |   |        |        |       |       |      |      |       |     |     |          |          |       |      |      |      |   |   |        |               |        |      |      |      |   |   |        |       |        |      |      |      |  |
| Access        | r                               | r   | r                           | r                               | r            | r           | r       | r       |  |  |  |              |   |   |   |   |   |   |   |   |        |     |     |     |   |     |     |     |     |          |           |   |   |   |            |   |         |         |               |   |   |   |   |   |   |   |   |              |          |        |             |              |              |             |        |   |        |        |       |       |      |      |       |     |     |          |          |       |      |      |      |   |   |        |               |        |      |      |      |   |   |        |       |        |      |      |      |  |
| Function      | Mantissa                        |   |                             |                                 |              |             |         |         |  |  |  |              |   |   |   |   |   |   |   |   |        |     |     |     |   |     |     |     |     |          |           |   |   |   |            |   |         |         |               |   |   |   |   |   |   |   |   |              |          |        |             |              |              |             |        |   |        |        |       |       |      |      |       |     |     |          |          |       |      |      |      |   |   |        |               |        |      |      |      |   |   |        |       |        |      |      |      |  |
| Default Value | V                               | V   | V                           | V                               | V            | V           | V       | V       |  |  |  |              |   |   |   |   |   |   |   |   |        |     |     |     |   |     |     |     |     |          |           |   |   |   |            |   |         |         |               |   |   |   |   |   |   |   |   |              |          |        |             |              |              |             |        |   |        |        |       |       |      |      |       |     |     |          |          |       |      |      |      |   |   |        |               |        |      |      |      |   |   |        |       |        |      |      |      |  |
| Bit Position  | 7                               | 6   | 5                           | 4                               | 3            | 2           | 1       | 0       |  |  |  |              |   |   |   |   |   |   |   |   |        |     |     |     |   |     |     |     |     |          |           |   |   |   |            |   |         |         |               |   |   |   |   |   |   |   |   |              |          |        |             |              |              |             |        |   |        |        |       |       |      |      |       |     |     |          |          |       |      |      |      |   |   |        |               |        |      |      |      |   |   |        |       |        |      |      |      |  |
| Access        | r                               | r   | r/w                         | r/w                             | r/w          | r/w         | r/w     | r/w     |  |  |  |              |   |   |   |   |   |   |   |   |        |     |     |     |   |     |     |     |     |          |           |   |   |   |            |   |         |         |               |   |   |   |   |   |   |   |   |              |          |        |             |              |              |             |        |   |        |        |       |       |      |      |       |     |     |          |          |       |      |      |      |   |   |        |               |        |      |      |      |   |   |        |       |        |      |      |      |  |
| Function      | Mantissa                        |   |                             |                                 |              |             |         |         |  |  |  |              |   |   |   |   |   |   |   |   |        |     |     |     |   |     |     |     |     |          |           |   |   |   |            |   |         |         |               |   |   |   |   |   |   |   |   |              |          |        |             |              |              |             |        |   |        |        |       |       |      |      |       |     |     |          |          |       |      |      |      |   |   |        |               |        |      |      |      |   |   |        |       |        |      |      |      |  |
| Default Value | V                               | V   | V                           | V                               | V            | V           | V       | V       |  |  |  |              |   |   |   |   |   |   |   |   |        |     |     |     |   |     |     |     |     |          |           |   |   |   |            |   |         |         |               |   |   |   |   |   |   |   |   |              |          |        |             |              |              |             |        |   |        |        |       |       |      |      |       |     |     |          |          |       |      |      |      |   |   |        |               |        |      |      |      |   |   |        |       |        |      |      |      |  |
| D7            | PCT_VOUT_FAULT_PG_LIMIT         | <p>Single command to set PGOOD, VOUT_UNDER_VOLTAGE(UV) and VOUT_OVER_VOLTAGE(OV) limits as percentage of nominal</p> <table border="1"> <thead> <tr> <th>Format</th> <th colspan="8">Unsigned Binary</th> </tr> </thead> <tbody> <tr> <td>Bit Position</td> <td>7</td> <td>6</td> <td>5</td> <td>4</td> <td>3</td> <td>2</td> <td>1</td> <td>0</td> </tr> <tr> <td>Access</td> <td>r</td> <td>r</td> <td>r</td> <td>r</td> <td>r</td> <td>r</td> <td>r/w</td> <td>r/w</td> </tr> <tr> <td>Function</td> <td>X</td> <td>X</td> <td>X</td> <td>X</td> <td>X</td> <td>X</td> <td>PCT_MSB</td> <td>PCT_LSB</td> </tr> <tr> <td>Default Value</td> <td>0</td> <td>X</td> <td>X</td> <td>X</td> <td>X</td> <td>X</td> <td>X</td> <td>0</td> </tr> </tbody> </table> <p>PAGE Command Truth Table</p> <table border="1"> <thead> <tr> <th>PCT_M SB</th> <th>PCT_LS B</th> <th>UV (%)</th> <th>PGL LOW (%)</th> <th>PGL HIGH (%)</th> <th>PGH HIGH (%)</th> <th>PGH LOW (%)</th> <th>OV (%)</th> </tr> </thead> <tbody> <tr> <td>0</td> <td>0</td> <td>-16.67</td> <td>-12.5</td> <td>-8.33</td> <td>12.5</td> <td>8.33</td> <td>16.67</td> </tr> <tr> <td>0</td> <td>1</td> <td>-12.5</td> <td>-8.33</td> <td>-4.17</td> <td>8.33</td> <td>4.17</td> <td>12.5</td> </tr> <tr> <td>1</td> <td>0</td> <td>-29.17</td> <td>-20.83</td> <td>-16.67</td> <td>8.33</td> <td>4.17</td> <td>12.5</td> </tr> <tr> <td>1</td> <td>1</td> <td>-41.67</td> <td>-37.5</td> <td>-33.33</td> <td>8.33</td> <td>4.17</td> <td>12.5</td> </tr> </tbody> </table> | Format                      | Unsigned Binary                 |              |             |         |         |  |  |  | Bit Position | 7 | 6 | 5 | 4 | 3 | 2 | 1 | 0 | Access | r   | r   | r   | r | r   | r   | r/w | r/w | Function | X         | X | X | X | X          | X | PCT_MSB | PCT_LSB | Default Value | 0 | X | X | X | X | X | X | 0 | PCT_M SB     | PCT_LS B | UV (%) | PGL LOW (%) | PGL HIGH (%) | PGH HIGH (%) | PGH LOW (%) | OV (%) | 0 | 0      | -16.67 | -12.5 | -8.33 | 12.5 | 8.33 | 16.67 | 0   | 1   | -12.5    | -8.33    | -4.17 | 8.33 | 4.17 | 12.5 | 1 | 0 | -29.17 | -20.83        | -16.67 | 8.33 | 4.17 | 12.5 | 1 | 1 | -41.67 | -37.5 | -33.33 | 8.33 | 4.17 | 12.5 |  |
| Format        | Unsigned Binary                 |   |                             |                                 |              |             |         |         |  |  |  |              |   |   |   |   |   |   |   |   |        |     |     |     |   |     |     |     |     |          |           |   |   |   |            |   |         |         |               |   |   |   |   |   |   |   |   |              |          |        |             |              |              |             |        |   |        |        |       |       |      |      |       |     |     |          |          |       |      |      |      |   |   |        |               |        |      |      |      |   |   |        |       |        |      |      |      |  |
| Bit Position  | 7                               | 6   | 5                           | 4                               | 3            | 2           | 1       | 0       |  |  |  |              |   |   |   |   |   |   |   |   |        |     |     |     |   |     |     |     |     |          |           |   |   |   |            |   |         |         |               |   |   |   |   |   |   |   |   |              |          |        |             |              |              |             |        |   |        |        |       |       |      |      |       |     |     |          |          |       |      |      |      |   |   |        |               |        |      |      |      |   |   |        |       |        |      |      |      |  |
| Access        | r                               | r   | r                           | r                               | r            | r           | r/w     | r/w     |  |  |  |              |   |   |   |   |   |   |   |   |        |     |     |     |   |     |     |     |     |          |           |   |   |   |            |   |         |         |               |   |   |   |   |   |   |   |   |              |          |        |             |              |              |             |        |   |        |        |       |       |      |      |       |     |     |          |          |       |      |      |      |   |   |        |               |        |      |      |      |   |   |        |       |        |      |      |      |  |
| Function      | X                               | X   | X                           | X                               | X            | X           | PCT_MSB | PCT_LSB |  |  |  |              |   |   |   |   |   |   |   |   |        |     |     |     |   |     |     |     |     |          |           |   |   |   |            |   |         |         |               |   |   |   |   |   |   |   |   |              |          |        |             |              |              |             |        |   |        |        |       |       |      |      |       |     |     |          |          |       |      |      |      |   |   |        |               |        |      |      |      |   |   |        |       |        |      |      |      |  |
| Default Value | 0                               | X   | X                           | X                               | X            | X           | X       | 0       |  |  |  |              |   |   |   |   |   |   |   |   |        |     |     |     |   |     |     |     |     |          |           |   |   |   |            |   |         |         |               |   |   |   |   |   |   |   |   |              |          |        |             |              |              |             |        |   |        |        |       |       |      |      |       |     |     |          |          |       |      |      |      |   |   |        |               |        |      |      |      |   |   |        |       |        |      |      |      |  |
| PCT_M SB      | PCT_LS B                        | UV (%)  | PGL LOW (%)                 | PGL HIGH (%)                    | PGH HIGH (%) | PGH LOW (%) | OV (%)  |         |  |  |  |              |   |   |   |   |   |   |   |   |        |     |     |     |   |     |     |     |     |          |           |   |   |   |            |   |         |         |               |   |   |   |   |   |   |   |   |              |          |        |             |              |              |             |        |   |        |        |       |       |      |      |       |     |     |          |          |       |      |      |      |   |   |        |               |        |      |      |      |   |   |        |       |        |      |      |      |  |
| 0             | 0                               | -16.67  | -12.5                       | -8.33                           | 12.5         | 8.33        | 16.67   |         |  |  |  |              |   |   |   |   |   |   |   |   |        |     |     |     |   |     |     |     |     |          |           |   |   |   |            |   |         |         |               |   |   |   |   |   |   |   |   |              |          |        |             |              |              |             |        |   |        |        |       |       |      |      |       |     |     |          |          |       |      |      |      |   |   |        |               |        |      |      |      |   |   |        |       |        |      |      |      |  |
| 0             | 1                               | -12.5   | -8.33                       | -4.17                           | 8.33         | 4.17        | 12.5    |         |  |  |  |              |   |   |   |   |   |   |   |   |        |     |     |     |   |     |     |     |     |          |           |   |   |   |            |   |         |         |               |   |   |   |   |   |   |   |   |              |          |        |             |              |              |             |        |   |        |        |       |       |      |      |       |     |     |          |          |       |      |      |      |   |   |        |               |        |      |      |      |   |   |        |       |        |      |      |      |  |
| 1             | 0                               | -29.17  | -20.83                      | -16.67                          | 8.33         | 4.17        | 12.5    |         |  |  |  |              |   |   |   |   |   |   |   |   |        |     |     |     |   |     |     |     |     |          |           |   |   |   |            |   |         |         |               |   |   |   |   |   |   |   |   |              |          |        |             |              |              |             |        |   |        |        |       |       |      |      |       |     |     |          |          |       |      |      |      |   |   |        |               |        |      |      |      |   |   |        |       |        |      |      |      |  |
| 1             | 1                               | -41.67  | -37.5                       | -33.33                          | 8.33         | 4.17        | 12.5    |         |  |  |  |              |   |   |   |   |   |   |   |   |        |     |     |     |   |     |     |     |     |          |           |   |   |   |            |   |         |         |               |   |   |   |   |   |   |   |   |              |          |        |             |              |              |             |        |   |        |        |       |       |      |      |       |     |     |          |          |       |      |      |      |   |   |        |               |        |      |      |      |   |   |        |       |        |      |      |      |  |
| D8            | SEQUENCE_TON_TOFF_DELAY         | <p>Used to set delay to turn-on or turn-off modules as a ratio of TON_RISE. Values can range from 0 to 7 and are a multiple of TON_RISE TIME</p> <table border="1"> <thead> <tr> <th>Format</th> <th colspan="8">Unsigned Binary</th> </tr> </thead> <tbody> <tr> <td>Bit Position</td> <td>7</td> <td>6</td> <td>5</td> <td>4</td> <td>3</td> <td>2</td> <td>1</td> <td>0</td> </tr> <tr> <td>Access</td> <td>r/w</td> <td>r/w</td> <td>r/w</td> <td>r</td> <td>r/w</td> <td>r/w</td> <td>r/w</td> <td>r</td> </tr> <tr> <td>Function</td> <td colspan="4">TON_DELAY</td> <td colspan="4">TOFF_DELAY</td> </tr> <tr> <td>Default Value</td> <td>0</td> <td>0</td> <td>0</td> <td>0</td> <td>0</td> <td>0</td> <td>0</td> <td>0</td> </tr> </tbody> </table>  | Format                      | Unsigned Binary                 |              |             |         |         |  |  |  | Bit Position | 7 | 6 | 5 | 4 | 3 | 2 | 1 | 0 | Access | r/w | r/w | r/w | r | r/w | r/w | r/w | r   | Function | TON_DELAY |   |   |   | TOFF_DELAY |   |         |         | Default Value | 0 | 0 | 0 | 0 | 0 | 0 | 0 | 0 |              |          |        |             |              |              |             |        |   |        |        |       |       |      |      |       |     |     |          |          |       |      |      |      |   |   |        |               |        |      |      |      |   |   |        |       |        |      |      |      |  |
| Format        | Unsigned Binary                 |   |                             |                                 |              |             |         |         |  |  |  |              |   |   |   |   |   |   |   |   |        |     |     |     |   |     |     |     |     |          |           |   |   |   |            |   |         |         |               |   |   |   |   |   |   |   |   |              |          |        |             |              |              |             |        |   |        |        |       |       |      |      |       |     |     |          |          |       |      |      |      |   |   |        |               |        |      |      |      |   |   |        |       |        |      |      |      |  |
| Bit Position  | 7                               | 6   | 5                           | 4                               | 3            | 2           | 1       | 0       |  |  |  |              |   |   |   |   |   |   |   |   |        |     |     |     |   |     |     |     |     |          |           |   |   |   |            |   |         |         |               |   |   |   |   |   |   |   |   |              |          |        |             |              |              |             |        |   |        |        |       |       |      |      |       |     |     |          |          |       |      |      |      |   |   |        |               |        |      |      |      |   |   |        |       |        |      |      |      |  |
| Access        | r/w                             | r/w   | r/w                         | r                               | r/w          | r/w         | r/w     | r       |  |  |  |              |   |   |   |   |   |   |   |   |        |     |     |     |   |     |     |     |     |          |           |   |   |   |            |   |         |         |               |   |   |   |   |   |   |   |   |              |          |        |             |              |              |             |        |   |        |        |       |       |      |      |       |     |     |          |          |       |      |      |      |   |   |        |               |        |      |      |      |   |   |        |       |        |      |      |      |  |
| Function      | TON_DELAY                       |   |                             |                                 | TOFF_DELAY   |             |         |         |  |  |  |              |   |   |   |   |   |   |   |   |        |     |     |     |   |     |     |     |     |          |           |   |   |   |            |   |         |         |               |   |   |   |   |   |   |   |   |              |          |        |             |              |              |             |        |   |        |        |       |       |      |      |       |     |     |          |          |       |      |      |      |   |   |        |               |        |      |      |      |   |   |        |       |        |      |      |      |  |
| Default Value | 0                               | 0   | 0                           | 0                               | 0            | 0           | 0       | 0       |  |  |  |              |   |   |   |   |   |   |   |   |        |     |     |     |   |     |     |     |     |          |           |   |   |   |            |   |         |         |               |   |   |   |   |   |   |   |   |              |          |        |             |              |              |             |        |   |        |        |       |       |      |      |       |     |     |          |          |       |      |      |      |   |   |        |               |        |      |      |      |   |   |        |       |        |      |      |      |  |

Digital Power Insight (DPI)

GE offers a software tool that set helps users evaluate and simulate the PMBus performance of the PJT007 modules without the need to write software.

The software can be downloaded for free at <http://go.ge-energy.com/DigitalPowerInsight.html>. A GE USB to I2C adapter and associated cable set are required for proper functioning of the software suite. For first time users, the GE DPI Evaluation Kit can be purchased from leading distributors at a nominal price and can be used across the entire range of GE Digital POL Module.

# 7A Digital PicoDlynxII™: Non-Isolated DC-DC Power Modules

4.5Vdc –14.4Vdc input; 0.51Vdc to 5.5Vdc output; 7A Output Current

## Thermal Considerations

Power modules operate in a variety of thermal environments; however, sufficient cooling should always be provided to help ensure reliable operation.

Considerations include ambient temperature, airflow, module power dissipation, and the need for increased reliability. A reduction in the operating temperature of the module will result in an increase in reliability. The thermal data presented here is based on physical measurements taken in a wind tunnel. The test set-up is shown in Figure 48. The preferred airflow direction for the module is in Figure 49.

The thermal reference points,  $T_{ref}$  used in the specifications are also shown in Figure 49. For reliable operation the temperatures at these points should not exceed 120°C. The output power of the module should not exceed the rated power of the module ( $V_{o,set} \times I_{o,max}$ ).

Please refer to the Application Note “Thermal Characterization Process For Open-Frame Board-Mounted Power Modules” for a detailed discussion of thermal aspects including maximum device temperatures.

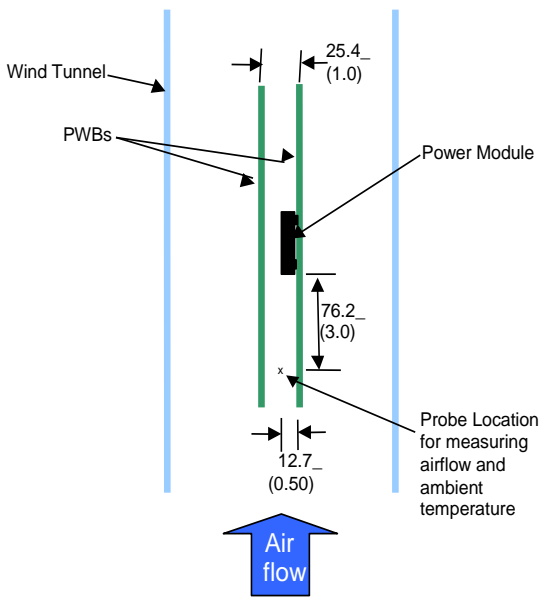


Figure 48. Thermal Test Setup.

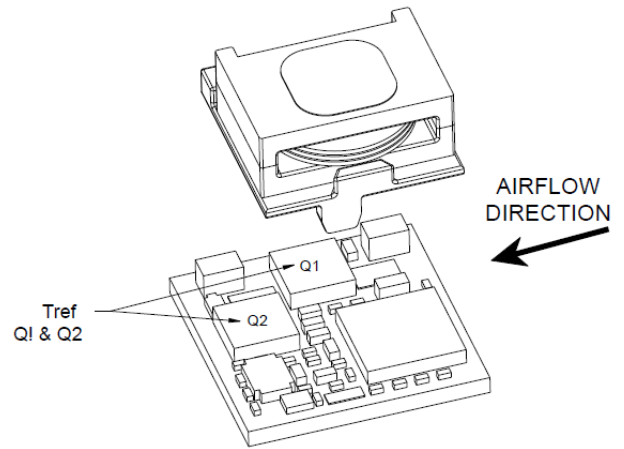


Figure 49. Preferred airflow direction and location of hot-spot of the module ( $T_{ref}$ ).



# 7A Digital PicoDLynxII™: Non-Isolated DC-DC Power Modules

4.5Vdc –14.4Vdc input; 0.51Vdc to 5.5Vdc output; 7A Output Current

## Shock and Vibration

The ruggedized (-D version) of the modules are designed to withstand elevated levels of shock and vibration to be able to operate in harsh environments. The ruggedized modules have been successfully tested to the following conditions:

### Non operating random vibration:

Random vibration tests conducted at 25C, 10 to 2000Hz, for 30 minutes each level, starting from 30Grms (Z axis) and up to 50Grms (Z axis). The units were then subjected to two more tests of 50Grms at 30 minutes each for a total of 90 minutes.

### Operating shock to 40G per Mil Std. 810G, Method 516.4 Procedure I:

The modules were tested in opposing directions along each of three orthogonal axes, with waveform and amplitude of the shock impulse characteristics as follows:

All shocks were half sine pulses, 11 milliseconds (ms) in duration in all 3 axes.

Units were tested to the Functional Shock Test of MIL-STD-810, Method 516.4, Procedure I - Figure 516.4-4. A shock magnitude of 40G was utilized. The operational units were subjected to three shocks in each direction along three axes for a total of eighteen shocks.

### Operating vibration per Mil Std 810G, Method 514.5 Procedure I:

The ruggedized (-D version) modules are designed and tested to vibration levels as outlined in MIL-STD-810G, Method 514.5, and Procedure 1, using the Power Spectral Density (PSD) profiles as shown in Table 7 and Table 8 for all axes. Full compliance with performance specifications was required during the performance test. No damage was allowed to the module and full compliance to performance specifications was required when the endurance environment was removed. The module was tested per MIL-STD-810, Method 514.5, Procedure I, for functional (performance) and endurance random vibration using the performance and endurance levels shown in Table 7 and Table 8 for all axes. The performance test has been split, with one half accomplished before the endurance test and one half after the endurance test (in each axis). The duration of the performance test was at least 16 minutes total per axis and at least 120 minutes total per axis for the endurance test. The endurance test period was 2 hours minimum per axis.

**Table 7: Performance Vibration Qualification - All Axes**

| Frequency (Hz) | PSD Level (G <sup>2</sup> /Hz) | Frequency (Hz) | PSD Level (G <sup>2</sup> /Hz) | Frequency (Hz) | PSD Level (G <sup>2</sup> /Hz) |
|----------------|--------------------------------|----------------|--------------------------------|----------------|--------------------------------|
| 10             | 1.14E-03                       | 170            | 2.54E-03                       | 690            | 1.03E-03                       |
| 30             | 5.96E-03                       | 230            | 3.70E-03                       | 800            | 7.29E-03                       |
| 40             | 9.53E-04                       | 290            | 7.99E-04                       | 890            | 1.00E-03                       |
| 50             | 2.08E-03                       | 340            | 1.12E-02                       | 1070           | 2.67E-03                       |
| 90             | 2.08E-03                       | 370            | 1.12E-02                       | 1240           | 1.08E-03                       |
| 110            | 7.05E-04                       | 430            | 8.84E-04                       | 1550           | 2.54E-03                       |
| 130            | 5.00E-03                       | 490            | 1.54E-03                       | 1780           | 2.88E-03                       |
| 140            | 8.20E-04                       | 560            | 5.62E-04                       | 2000           | 5.62E-04                       |

**Table 8: Endurance Vibration Qualification - All Axes**

| Frequency (Hz) | PSD Level (G <sup>2</sup> /Hz) | Frequency (Hz) | PSD Level (G <sup>2</sup> /Hz) | Frequency (Hz) | PSD Level (G <sup>2</sup> /Hz) |
|----------------|--------------------------------|----------------|--------------------------------|----------------|--------------------------------|
| 10             | 0.00803                        | 170            | 0.01795                        | 690            | 0.00727                        |
| 30             | 0.04216                        | 230            | 0.02616                        | 800            | 0.05155                        |
| 40             | 0.00674                        | 290            | 0.00565                        | 890            | 0.00709                        |
| 50             | 0.01468                        | 340            | 0.07901                        | 1070           | 0.01887                        |
| 90             | 0.01468                        | 370            | 0.07901                        | 1240           | 0.00764                        |
| 110            | 0.00498                        | 430            | 0.00625                        | 1550           | 0.01795                        |
| 130            | 0.03536                        | 490            | 0.01086                        | 1780           | 0.02035                        |
| 140            | 0.0058                         | 560            | 0.00398                        | 2000           | 0.00398                        |

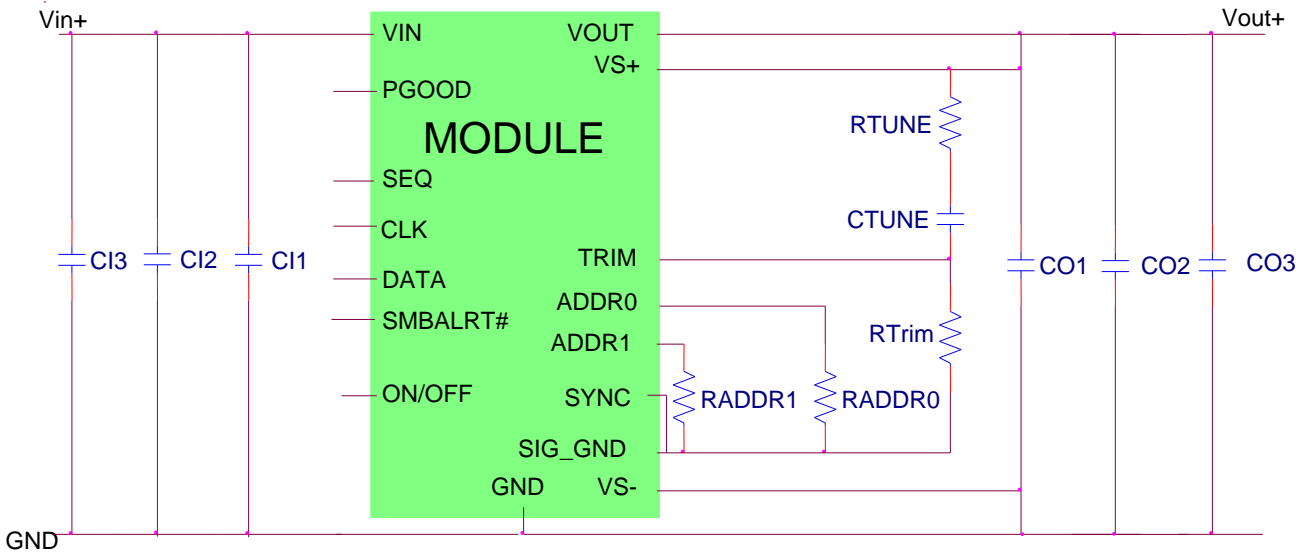
# 7A Digital PicoDlynxII™: Non-Isolated DC-DC Power Modules

4.5Vdc –14.4Vdc input; 0.51Vdc to 5.5Vdc output; 7A Output Current

## Example Application Circuit

### Requirements:

- Vin:** 12V
- Vout:** 1.8V
- Iout:** 5.25A max., worst case load transient is from 3.5A to 5.25A
- ΔVout:** 1.5% of Vout (27mV) for worst case load transient
- Vin, ripple** 1.5% of Vin (180mV, p-p)



- C11 Decoupling cap - 1x0.047μF/16V ceramic(e.g. Murata LLL185R71C473MA01) + 1x0.1uF/16V 0402 ceramic
- C12 3x22μF/16V ceramic capacitor (e.g. Murata GRM32ER61C226KE20)
- C13 47μF/16V bulk electrolytic
- CO1 Decoupling cap - 1x0.047μF/16V ceramic (e.g. Murata LLL185R71C473MA01) + 1x0.1uF/16V 0402 ceramic
- CO2 5 x 47uF/6.3V 1210 ceramic capacitors
- CO3 NA
- CTune 3300 pF ceramic capacitor (can be 1206, 0805 or 0603 size)
- RTune 300Ω SMT resistor (can be 1206, 0805 or 0603 size)
- RTrim 10kΩ SMT resistor (can be 1206, 0805 or 0603 size, recommended tolerance of 0.1%)

**Note:** The DATA, CLK and SMBALRT pins do not have any pull-up resistors inside the module. Typically, the SMBus master controller will have the pull-up resistors as well as provide the driving source for these signals.

# 7A Digital PicoDlynxII™: Non-Isolated DC-DC Power Modules

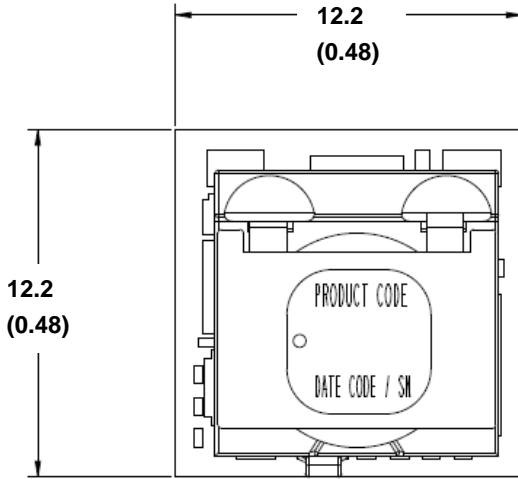
4.5Vdc -14.4Vdc input; 0.51Vdc to 5.5Vdc output; 7A Output Current

## Mechanical Outline

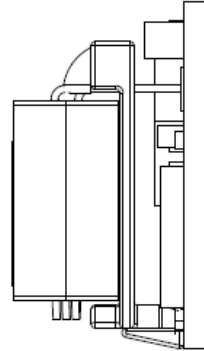
Dimensions are in millimeters and (inches).

Tolerances: x.x mm ± 0.5 mm (x.xx in. ± 0.02 in.) [unless otherwise indicated]

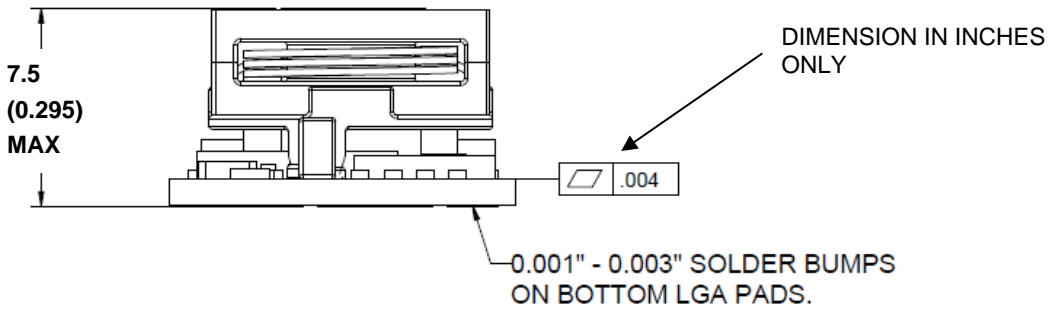
x.xx mm ± 0.25 mm (x.xxx in ± 0.010 in.)



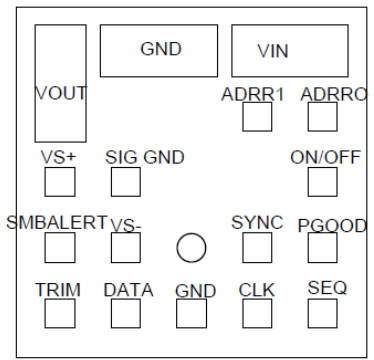
TOP VIEW



SIDE VIEW



BOTTOM VIEW



| PIN | FUNCTION    | PIN | FUNCTION          |
|-----|-------------|-----|-------------------|
| 1   | ON/OFF      | 10  | PGOOD             |
| 2   | VIN         | 11  | SYNC <sup>1</sup> |
| 3   | GND         | 12  | VS-               |
| 4   | VOUT        | 13  | SIG_GND           |
| 5   | VS+ (SENSE) | 14  | SMBALERT#         |
| 6   | TRIM        | 15  | DATA              |
| 7   | GND         | 16  | ADDR0             |
| 8   | CLK         | 17  | ADDR1             |
| 9   | SEQ         |     |                   |

<sup>1</sup>If unused, connect to SIG\_GND

# 7A Digital PicoDlynxII™: Non-Isolated DC-DC Power Modules

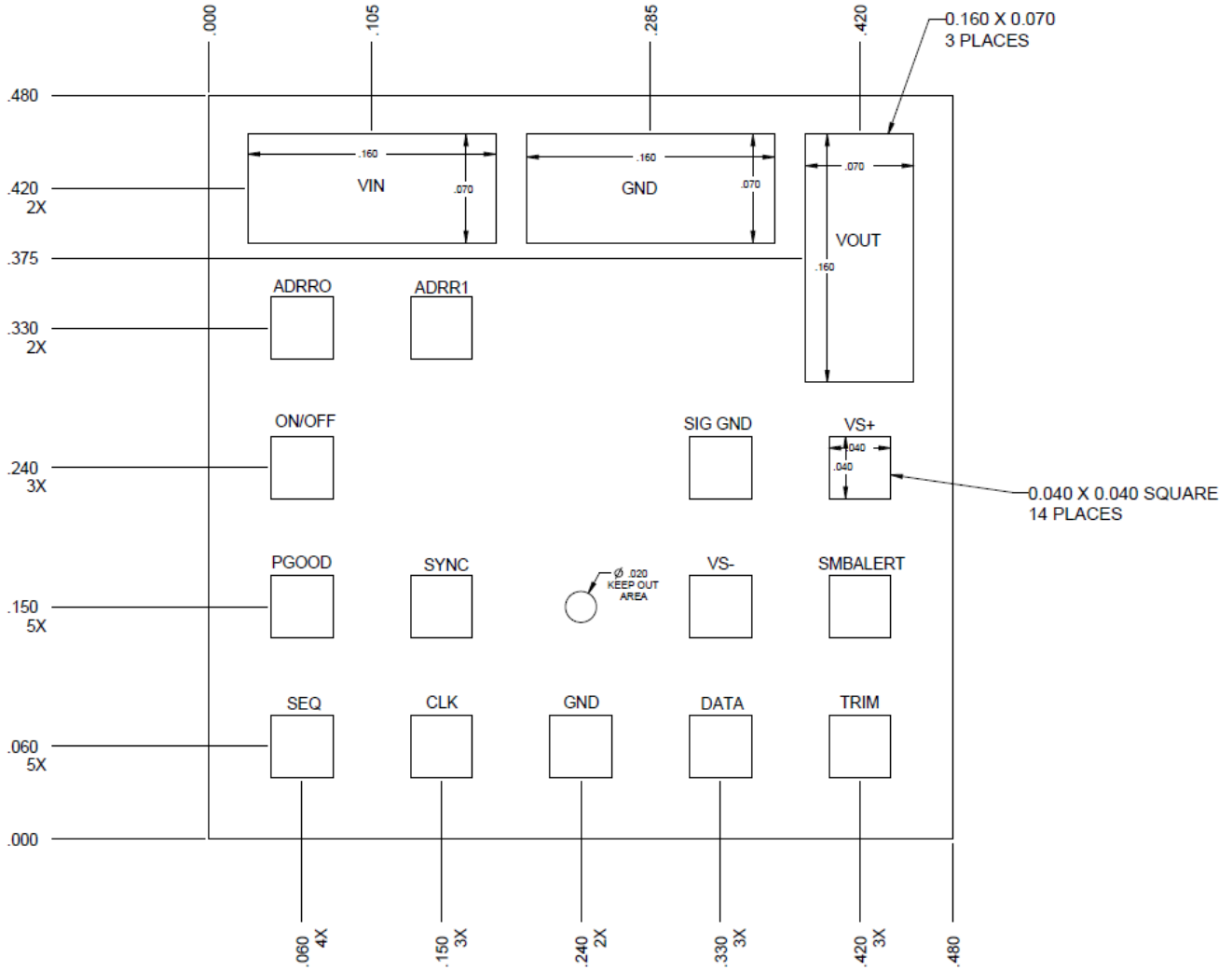
4.5Vdc –14.4Vdc input; 0.51Vdc to 5.5Vdc output; 7A Output Current

## Recommended Pad Layout

Dimensions are in millimeters and (inches).

Tolerances: x.x mm ± 0.5 mm (x.xx in. ± 0.02 in.) [unless otherwise indicated]

x.xx mm ± 0.25 mm (x.xxx in ± 0.010 in.)



| PIN | FUNCTION    | PIN | FUNCTION          |
|-----|-------------|-----|-------------------|
| 1   | ON/OFF      | 10  | PGOOD             |
| 2   | VIN         | 11  | SYNC <sup>2</sup> |
| 3   | GND         | 12  | VS-               |
| 4   | VOUT        | 13  | SIG_GND           |
| 5   | VS+ (SENSE) | 14  | SMBALERT#         |
| 6   | TRIM        | 15  | DATA              |
| 7   | GND         | 16  | ADDR0             |
| 8   | CLK         | 17  | ADDR1             |
| 9   | SEQ         |     |                   |

<sup>2</sup> If unused, connect to SIG\_GND.

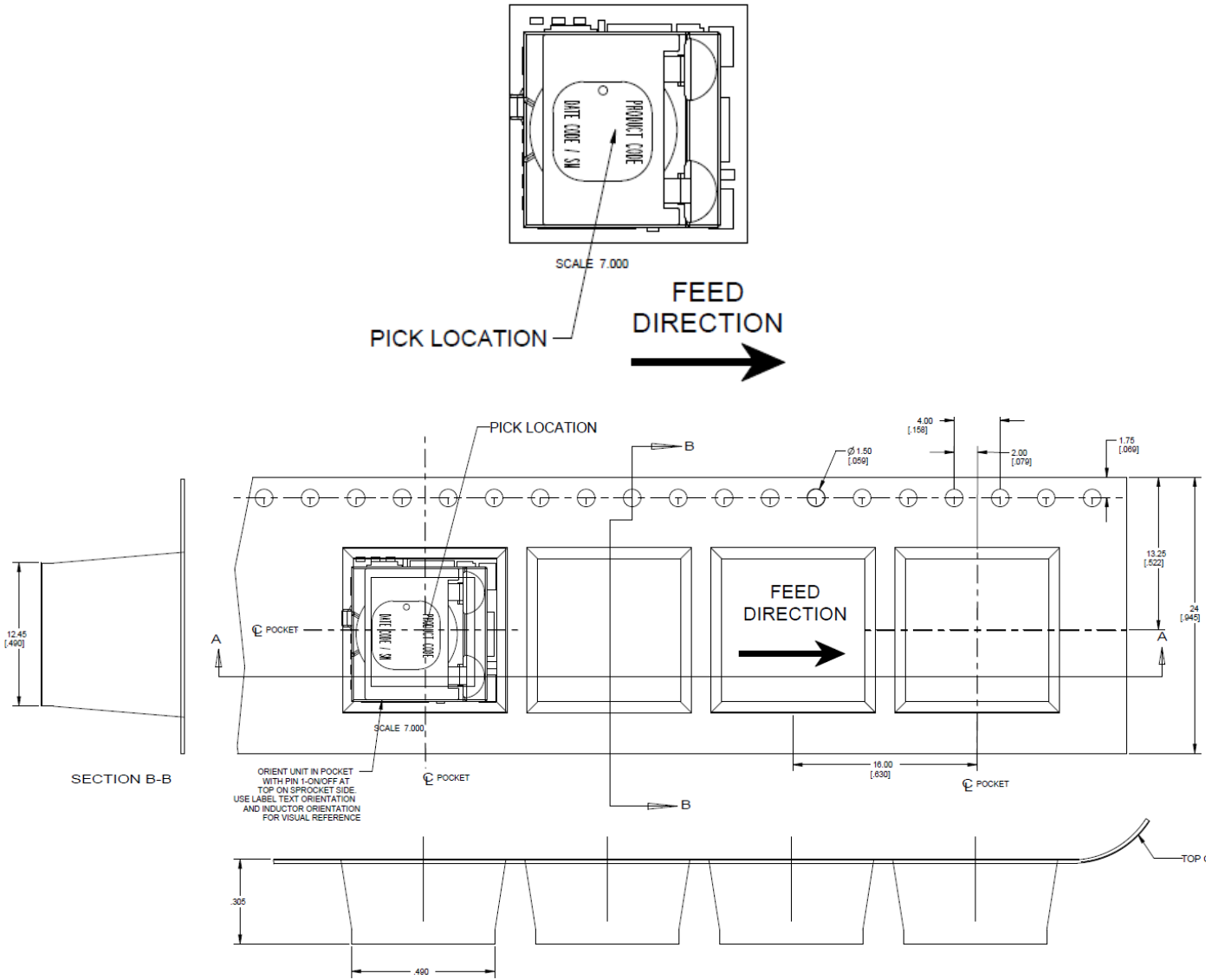
# 7A Digital PicoDlynxII™: Non-Isolated DC-DC Power Modules

4.5Vdc –14.4Vdc input; 0.51Vdc to 5.5Vdc output; 7A Output Current

## Packaging Details

The 12V Digital PicoDlynxII™ 7A modules are supplied in tape & reel as standard. Modules are shipped in quantities of 200 modules per reel.

All Dimensions are in millimeters and (in inches).



|                     |                   |
|---------------------|-------------------|
| Reel Dimensions:    |                   |
| Outside Dimensions: | 330.2 mm (13.00)  |
| Inside Dimensions:  | 177.8 mm (7.00")  |
| Tape Width:         | 24.00 mm (0.945") |

# 7A Digital PicoDLynxII™: Non-Isolated DC-DC Power Modules

4.5Vdc –14.4Vdc input; 0.51Vdc to 5.5Vdc output; 7A Output Current

## Surface Mount Information

### Pick and Place

The 7A Digital PicoDLynxII™ modules use an open frame construction and are designed for a fully automated assembly process. The modules are fitted with a label designed to provide a large surface area for pick and place operations. The label meets all the requirements for surface mount processing, as well as safety standards, and is able to withstand reflow temperatures of up to 300°C. The label also carries product information such as product code, serial number and the location of manufacture.

### Nozzle Recommendations

The module weight has been kept to a minimum by using open frame construction. Variables such as nozzle size, tip style, vacuum pressure and placement speed should be considered to optimize this process. The minimum recommended inside nozzle diameter for reliable operation is 3mm. The maximum nozzle outer diameter, which will safely fit within the allowable component spacing, is 7 mm.

### Bottom Side / First Side Assembly

Only the -D version of this module can be placed at the bottom side of the customer board. No additional glue or adhesive is required to hold the module during the top side reflow process. Serial numbers with date codes starting from 19xx21xxxxxx (19 – year, 21 – week) are suitable for bottom side placement.

### Lead Free Soldering

The modules are lead-free (Pb-free) and RoHS compliant and fully compatible in a Pb-free soldering process. Failure to observe the instructions below may result in the failure of or cause damage to the modules and can adversely affect long-term reliability.

### Pb-free Reflow Profile

Power Systems will comply with J-STD-020 Rev. C (Moisture/Reflow Sensitivity Classification for Nonhermetic Solid State Surface Mount Devices) for both Pb-free solder profiles and MSL classification procedures. This standard provides a recommended forced-air-convection reflow profile based on the volume and thickness of the package (table 4-2). The suggested Pb-free solder paste is Sn/Ag/Cu (SAC). For questions regarding Land grid array(LGA) soldering, solder volume; please contact GE for special manufacturing process instructions. The recommended linear reflow profile using Sn/Ag/Cu solder is shown in Fig. 44. Soldering outside of the recommended profile requires testing to verify results and performance.

### MSL Rating

The 7A Digital PicoDLynxII™ modules have a MSL rating of 2A.

### Storage and Handling

The recommended storage environment and handling procedures for moisture-sensitive surface mount packages

is detailed in J-STD-033 Rev. A (Handling, Packing, Shipping and Use of Moisture/Reflow Sensitive Surface Mount Devices). Moisture barrier bags (MBB) with desiccant are required for MSL ratings of 2 or greater. These sealed packages should not be broken until time of use. Once the original package is broken, the floor life of the product at conditions of  $\leq 30^{\circ}\text{C}$  and 60% relative humidity varies according to the MSL rating (see J-STD-033A). The shelf life for dry packed SMT packages will be a minimum of 12 months from the bag seal date, when stored at the following conditions:  $< 40^{\circ}\text{C}$ ,  $< 90\%$  relative humidity.

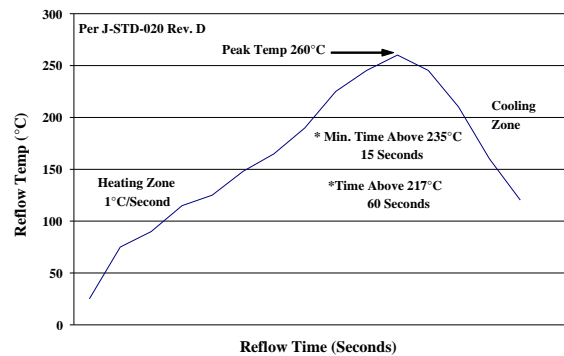


Figure 50. Recommended linear reflow profile using Sn/Ag/Cu solder.

### Post Solder Cleaning and Drying Considerations

Post solder cleaning is usually the final circuit-board assembly process prior to electrical board testing. The result of inadequate cleaning and drying can affect both the reliability of a power module and the testability of the finished circuit-board assembly. For guidance on appropriate soldering, cleaning and drying procedures, refer to *Board Mounted Power Modules: Soldering and Cleaning* Application Note (AN04-001).

# 7A Digital PicoDLynxII™: Non-Isolated DC-DC Power Modules

4.5Vdc –14.4Vdc input; 0.51Vdc to 5.5Vdc output; 7A Output Current

## Ordering Information

Please contact your GE Sales Representative for pricing, availability and optional features.

**Table 9. Device Codes**

| Device Code      | Input Voltage Range | Output Voltage | Output Current | On/Off Logic | Sequencing | Comcodes  |
|------------------|---------------------|----------------|----------------|--------------|------------|-----------|
| PJT007A0X3-SRZ   | 4.5 – 14.4Vdc       | 0.51 – 5.5Vdc  | 7A             | Negative     | Yes        | 150051525 |
| PJT007A0X43-SRZ  | 4.5 – 14.4Vdc       | 0.51 – 5.5Vdc  | 7A             | Positive     | Yes        | 150051526 |
| PJT007A0X3-SRDZ  | 4.5 – 14.4Vdc       | 0.51 – 5.5Vdc  | 7A             | Negative     | Yes        | 150052349 |
| PJT007A0X43-SRDZ | 4.5 – 14.4Vdc       | 0.51 – 5.5Vdc  | 7A             | Positive     | Yes        | 150052968 |

-Z refers to RoHS compliant parts

**Table 10. Coding Scheme**

| Package Identifier                   | Family  | Sequencing Option                              | Output current | Output voltage          | On/Off logic                        | Remote Sense     | Options                                  |  | ROHS Compliance |
|--------------------------------------|---|--|----------------|-------------------------|-------------------------------------|------------------|--|--|-----------------|
| <b>P</b>                             | <b>J</b>                                      | <b>T</b>                                       | <b>007A0</b>   | <b>X</b>                |                                     | <b>3</b>         | <b>-SR</b>                               | <b>-D</b>  | <b>Z</b>        |
| P=Pico<br>U=Pico<br>M=Mega<br>G=Giga | J=DLynx II Digital<br><br>K = DLynxII Analog. | T=with EZ Sequence<br><br>X=without sequencing | 7A             | X = programmable output | 4 = positive<br>No entry = negative | 3 = Remote Sense | S = Surface Mount<br><br>R = Tape & Reel | D = 105°C operating ambient, 40G operating shock as per MIL Std 810G | Z = ROHS6       |

**GE Digital Non-Isolated DC-DC products use technology licensed from Power-One, protected by US patents:** US20040246754, US2004090219A1, US2004093533A1, US2004123164A1, US2004123167A1, US2004178780A1, US2004179382A1, US20050200344, US20050223252, US2005289373A1, US20060061214, US2006015616A1, US20060174145, US20070226526, US20070234095, US20070240000, US20080052551, US20080072080, US20080186006, US6741099, US6788036, US6936999, US6949916, US7000125, US7049798, US7068021, US7080265, US7249267, US7266709, US7315156, US7372682, US7373527, US7394445, US7456617, US7459892, US74933504, US7526660.

**Outside the US the Power-One licensed technology is protected by patents:** AU3287379AA, AU3287437AA, AU3290643AA, AU3291357AA, CN10371856C, CN10452610C, CN10458656C, CN10459360C, CN10465848C, CN11069332A, CN11124619A, CN11346682A, CN1685299A, CN1685459A, CN1685582A, CN1685583A, CN1698023A, CN1802619A, EP1561156A1, EP1561268A2, EP1576710A1, EP1576711A1, EP1604254A4, EP1604264A4, EP1714369A2, EP1745536A4, EP1769382A4, EP1899789A2, EP1984801A2, W004044718A1, W004045042A3, W004045042C1, W004062061 A1, W004062062A1, W004070780A3, W004084390A3, W004084391A3, W005079227A3, W005081771A3, W006019569A3, W02007001584A3, W02007094935A3

## Contact Us

For more information, call us at

USA/Canada:

**+1 888 546 3243**, or +1 972 244 9288

Asia-Pacific:

+86-21-53899666

Europe, Middle-East and Africa:

+49.89.878067-280

[www.gecriticalpower.com](http://www.gecriticalpower.com)



GE Critical Power reserves the right to make changes to the product(s) or information contained herein without notice, and no liability is assumed as a result of their use or application. No rights under any patent accompany the sale of any such product(s) or information.

# Mouser Electronics

Authorized Distributor

Click to View Pricing, Inventory, Delivery & Lifecycle Information:

[ABB:](#)

[PJT007A0X3-SRZ](#) [PJT007A0X43-SRZ](#) [PJT007A0X3-SRDZ](#)