

QI APPROVED 3-USB TYPE-C TRAVEL POWER BANK & WIRELESS CHARGING

STONTRONICS: T7633ST



Features:

- High quality
- 3 Year warranty
- Detachable UK/EU/US/AU Plugs
- Certification: Qi / CE / RoHS / FCC

Description:

Our Qi Wireless USB travel charger features a 6700 mAh / 5 V battery meaning it can be used for a long time when you're outdoors or travelling. With interchangeable AC heads, this wireless charging power bank is perfect for world wide travel. Suitable for smartphones that are able to charge via wireless charging.

| SPECIFICATION | |
|---------------------------|-----------------------|
| Part Number | T7633ST |
| Input Voltage Range | AC 90-240V ±5% |
| Input Frequency Range | 47-63Hz |
| Input Current | 0.5A Max. |
| Type-C Input | 5V - 3A |
| No-load Power Consumption | 0.2W Max. |
| AC Charger | 5V -3A (15W) |
| Type-C Output | 5V - 2.4A |
| USB-A Output | 2 x 5V - 2.4A |
| Qi Wireless Output | 5W |
| Capacity | 6700mAh |
| Operating Temperature | 0°C to +40°C |
| Storage Temperature | -20°C to +65°C |
| Operating Humidity | 20% - 80% |
| Storage Humidity | 5% - 95% |
| Size mm max. | 80(L) x 80(W) x 29(H) |
| Weight | 240g |
| MTBF | 10000 hours |
| Certification | Qi / CE / RoHS / FCC |

STONTRONICS

TT Electronics IoT Solutions Ltd

Tofts Farm East, Brenda Road, Hartlepool, TS25 2BQ, UK

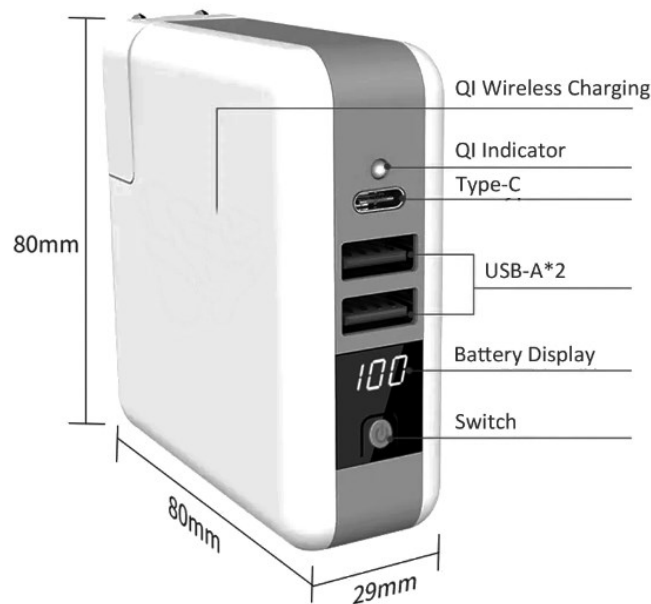
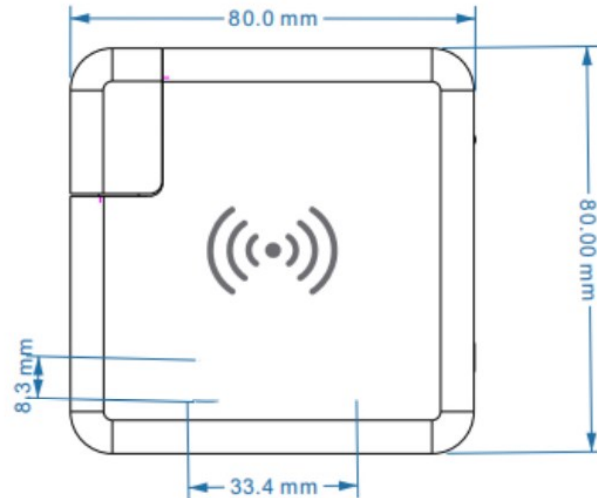
t: +44 (0) 1429 852 500

General Note

TT Electronics reserves the right to make changes in product specification without notice or liability. All information is subject to TT Electronics' own data and is considered accurate at time of going to print.

QI APPROVED 3-USB TYPE-C TRAVEL POWER BANK & WIRELESS CHARGING STONTRONICS: T7633ST

Diagrams



General Note
TT Electronics reserves the right to make changes in product specification without notice or liability. All information is subject to TT Electronics' own data and is considered accurate at time of going to print.

Mouser Electronics

Authorized Distributor

Click to View Pricing, Inventory, Delivery & Lifecycle Information:

[Cicor:](#)

[T7633ST](#)