

USA 2-PIN POWER SUPPLY 5VDC 5WATT

STONTRONICS: T6641ST



Features:

- Interchangeable AC Heads
- 1 Year Warranty
- Level VI Efficiency
- Worldwide Approvals

Description:

The Stontronics Range of 5 Watt Interchangeable wall plug power supplies provide 5 Watts of continuous power supplied with USA AC Head, all Efficiency Level VI and carry worldwide safety approvals.

Specification	
Part Number	T6641ST
Input Voltage Range	90-264 Vac
Input Frequency Range	47-63Hz
Input Current Rated	0.2A Max
Input AC Heads	US
Output Voltage Rating	+5V
Output Current Range	1A
Output Min Current	0A
Output Connection Type	MICRO USB 5PIN
Total Output Regulation	+/- 5%
Line and Load Regulation	+/- 5%
Ripple & Noise	300mVp-p
Efficiency	73.77% Min
Over Voltage Protection	8VDC Maximum
Over Load Protection	1.1-1.8 A maximum with auto-recovery function
Operating Temperature	0°C to +40°C
Storage Temperature	-20°C to +60°C
Operating Humidity	20% to 85%
Storage Humidity	5% to 95%
Hi-Pot	3000VAC 10mA 1min
Leakage Current	0.25mA max
Safety Standard	Designed to meet UL/CUL(UL60950-1)
EMI Standard	Designed to meet FCC(PART15 CLASS B)
MTBF	50K Hours
Size mm max.	67.5 (L) x 26.41 (W) x 52.3 (H)
Weight	61g±15%

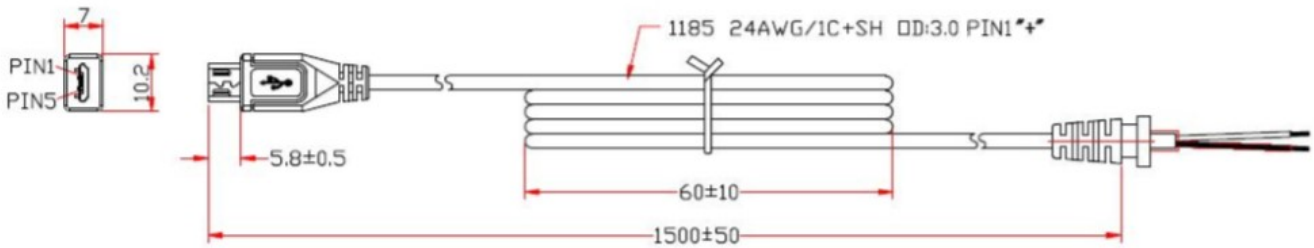
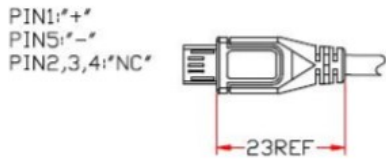
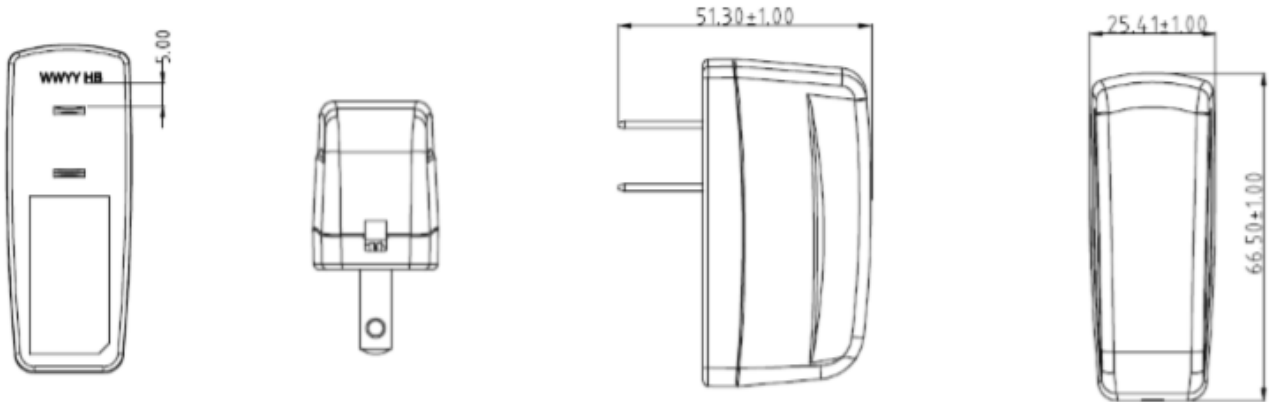
General Note

TT Electronics reserves the right to make changes in product specification without notice or liability. All information is subject to TT Electronics' own data and is considered accurate at time of going to print.

STONTRONICS

TT Electronics IoT Solutions Ltd
Tofts Farm East, Brenda Road, Hartlepool, TS25 2BQ, UK
t: +44 (0) 1429 852 500

Diagrams



Mouser Electronics

Authorized Distributor

Click to View Pricing, Inventory, Delivery & Lifecycle Information:

[Cicor:](#)

[T6641ST](#)