

INTERCHANGEABLE WALL PLUG POWER SUPPLY 15VDC 65WATT

POWERPAX: SW4520-C



Features:

- Interchangeable AC Heads
- 1 Year Warranty
- Level VI Efficiency
- Worldwide Approvals

Description:

Our range of 65 Watt Interchangeable wall plug power supplies provide 65 Watts of continuous power with the flexibility of worldwide usage as they are supplied with UK, Euro, USA & Auz AC Heads , all Efficiency Level VI and carry worldwide safety

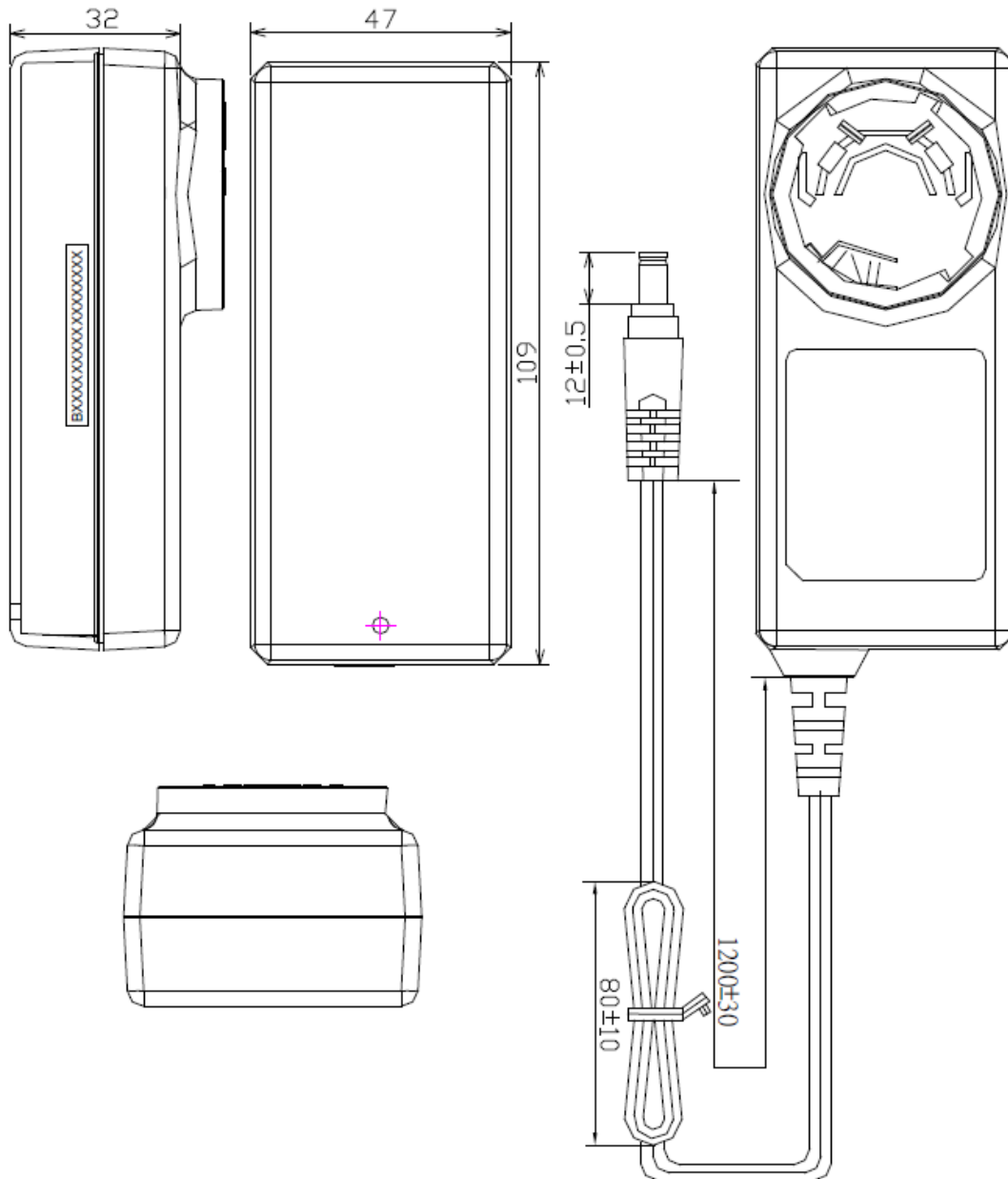
| Specification | |
|--------------------------|--|
| Part Number | SW4520-C |
| Input Voltage Range | 90-264 Vac |
| Input Frequency Range | 47-63Hz |
| Input Current Rated | 1.5A Max |
| Input AC Heads | UK, Euro, USA & Auz |
| Output Voltage | 15V |
| Output Current Range | 4.33A |
| Output Min Current | 0A |
| Output Connection Type | 2.1x5.5x12mm centre positive – Straight |
| Total Output Regulation | +/- 5% |
| Line and Load Regulation | +/- 5% |
| Ripple & Noise | 150mVp-p |
| Efficiency | 88% |
| Over Voltage Protection | Over voltage protection point will be less than output voltage 120%. |
| Over Load Protection | Over load protection point output current min 120% with auto-recovery function . |
| Operating Temperature | 0°C to +40°C |
| Storage Temperature | -20°C to +70°C |
| Operating Humidity | 20% to 80% |
| Storage Humidity | 5% to 95% |
| Hi-Pot | 3000VAC 10mA 1min |
| Leakage Current | 0.25mA max |
| Safety Standard | CB, TUV, GS, cTUVus |
| EMI Standard | CE, FCC, VCCI, RCM |
| MTBF | 40K Hours |
| Size mm max. | 109(L) x 47(W) x 32(H) |
| Weight | 350 g |

General Note

TT Electronics reserves the right to make changes in product specification without notice or liability. All information is subject to TT Electronics' own data and is considered accurate at time of going to print.

INTERCHANGEABLE WALL PLUG POWER SUPPLY 15VDC 65WATT POWERPAX: SW4520-C

Diagrams



General Note

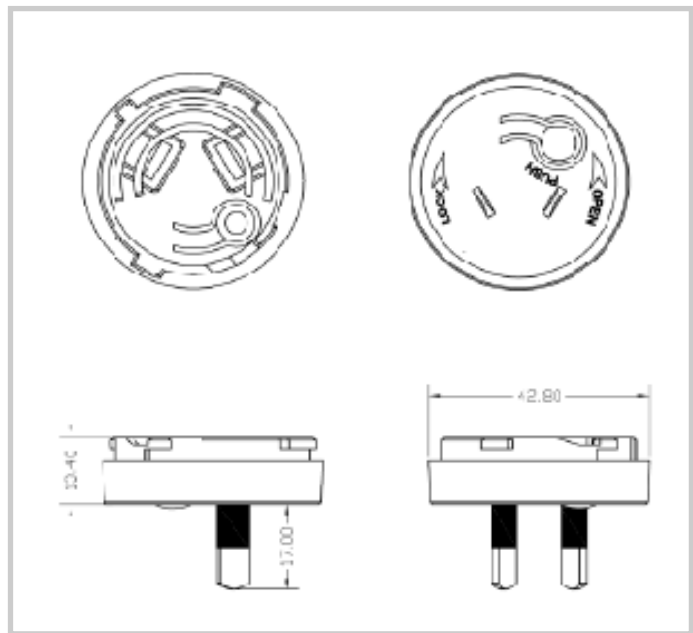
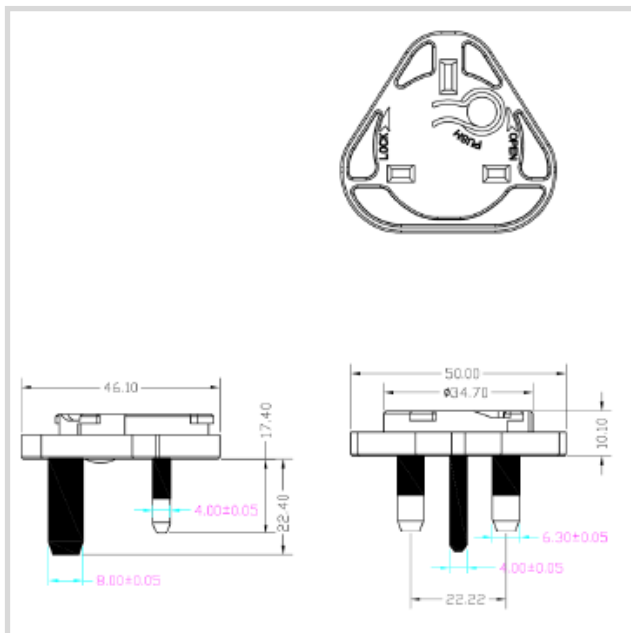
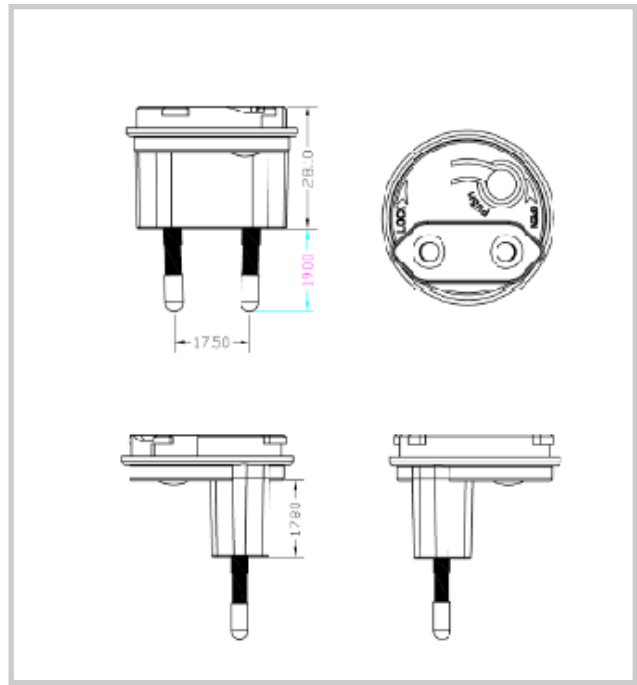
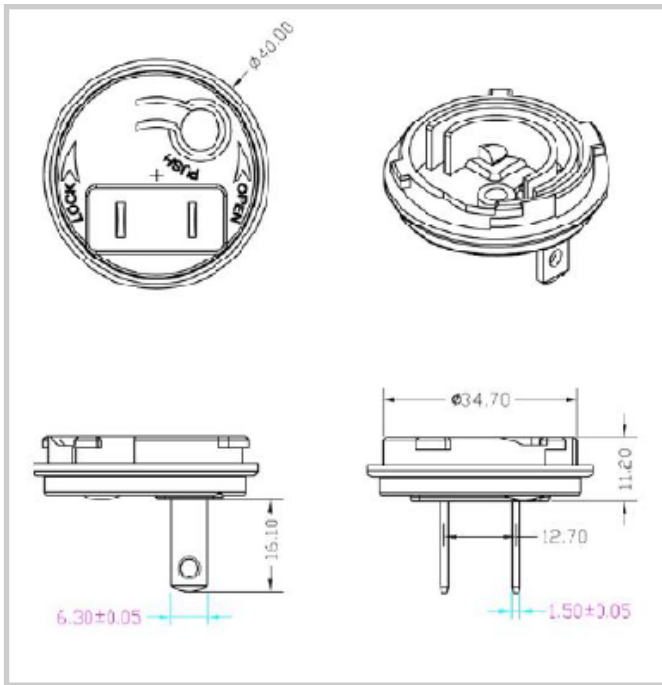
TT Electronics reserves the right to make changes in product specification without notice or liability. All information is subject to TT Electronics' own data and is considered accurate at time of going to print.

POWERPAX

TT Electronics IoT Solutions Ltd
Tofts Farm East, Brenda Road, Hartlepool, TS25 2BQ, UK
t: +44 (0) 1429 852 500

INTERCHANGEABLE WALL PLUG POWER SUPPLY 15VDC 65WATT POWERPAX: SW4520-C

Diagrams



General Note
TT Electronics reserves the right to make changes in product specification without notice or liability. All information is subject to TT Electronics' own data and is considered accurate at time of going to print.

Mouser Electronics

Authorized Distributor

Click to View Pricing, Inventory, Delivery & Lifecycle Information:

[Cicor:](#)

[SW4520-C](#)