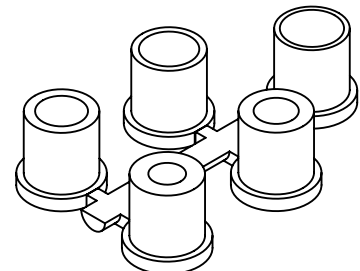
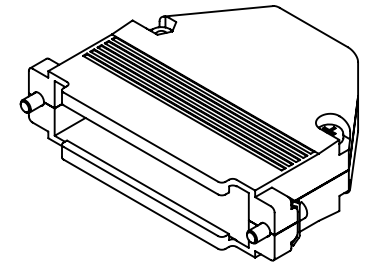
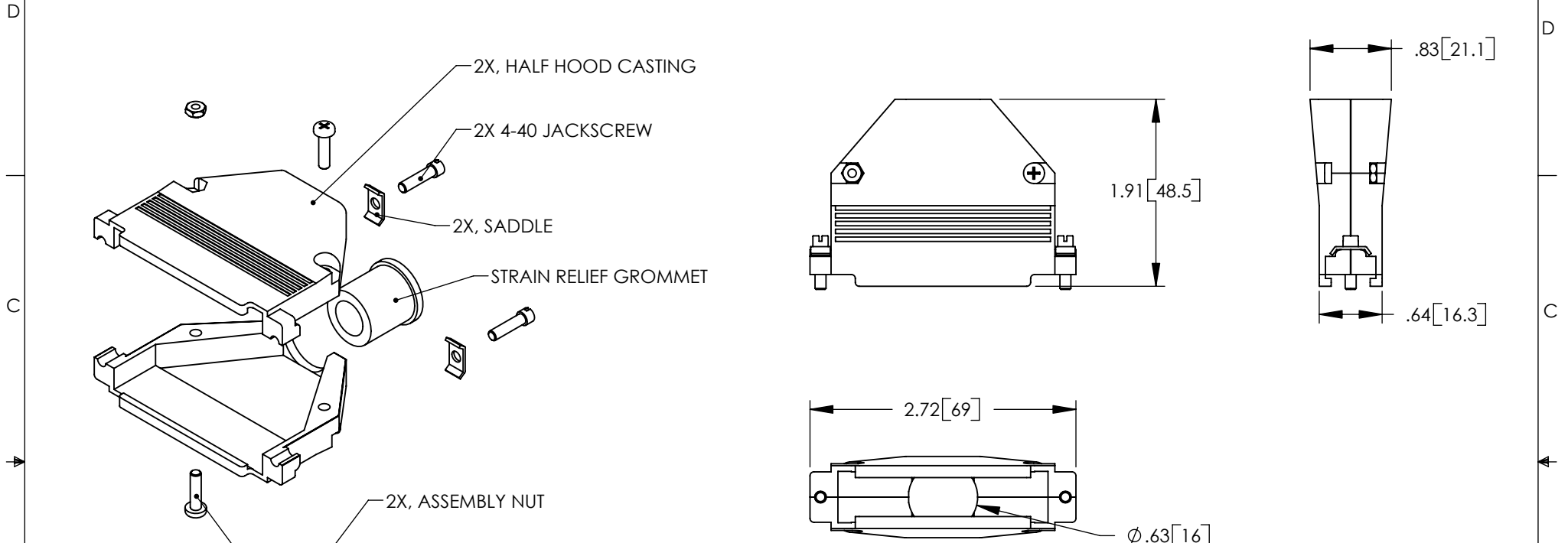


THE INFORMATION CONTAINED IN THIS DRAWING IS THE SOLE PROPERTY OF L-COM, INC. ANY REPRODUCTION IN PART OR WHOLE WITHOUT THE WRITTEN PERMISSION OF L-COM, INC. IS PROHIBITED.

REVISIONS			
REV	DESCRIPTION	DATE	CHANGED BY
A	INITIAL RELEASE	2/4/08	D.FRISIELLO



NOTES:

MATERIAL:  
 HOOD: DIE-CAST ZINC ALLOY  
 JACKSCREW: STEEL  
 ASSEMBLY HARDWARE: STEEL  
 STRAIN RELIEF GROMMETS: PVC, BLACK

FINISH:  
 HOOD: NICKEL PLATED, MATTE FINISH ON MAJOR SURFACES  
 JACKSCREWS: NICKEL PLATED  
 ASSEMBLY HARDWARE: NICKEL PLATED

MISCELLANEOUS:  
 INTENDED FOR USE WITH 37 PIN STANDARD AND 62 PIN HIGH DENSITY D-SUBMINIATURE CONNECTORS.  
 SUPPLIED WITH 5 STRAIN RELIEF GROMMETS FOR CABLES HAVING DIAMETERS RANGING FROM .310 TO .530 INCH.

UNLESS OTHERWISE SPECIFIED, DIMENSIONS ARE IN INCHES [mm] TOLERANCES TO BE: .X ±.1 [2.5] ANGLES ±2° .XX ±.01 [.25] .XXX ±.005 [.13] OVERALL CABLE LENGTH TOL: ≤ 60 [1524] +3 [76.2] / -0 > 60 [1524] +5% / -0%	APPROVALS	DATE
	DRAWN BY D.FRISIELLO	2/4/08
	CHECKED BY D.FORTIN	2/4/08
	APPROVED BY S.SMITH	2/4/08
	CONFIGURATION DETAILS OF UNDIMENSIONED FEATURES MAY VARY	

		45 BEECHWOOD DRIVE NORTH ANDOVER, MA 01845	
CATEGORY DATA CABLING			
PRODUCT DESCRIPTION DB37 & HD62 HOOD KIT			
SIZE <b>A</b>	FSCM NO. <b>43321</b>	DWG. NO. <b>SDC37AG</b>	REV. <b>A</b>
SCALE: NONE   CAD FILE: SDC37AG.SLDDRW			SHEET 1 OF 1

# Mouser Electronics

Authorized Distributor

Click to View Pricing, Inventory, Delivery & Lifecycle Information:

[infinite Electronics:](#)

[SDC37AG](#)