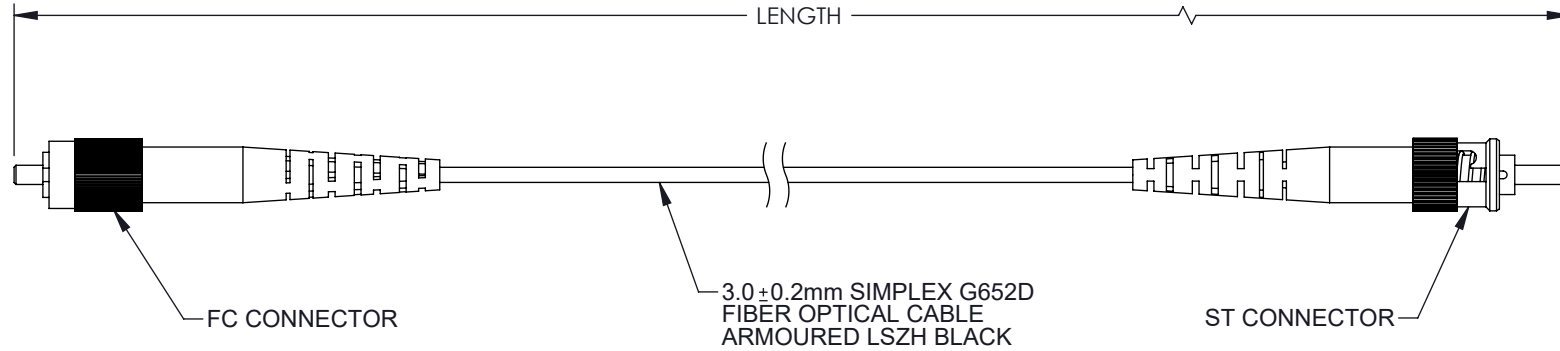


THE INFORMATION CONTAINED IN THIS DRAWING IS THE SOLE PROPERTY OF L-COM, INC. ANY REPRODUCTION IN PART OR WHOLE WITHOUT THE WRITTEN PERMISSION OF L-COM, INC. IS PROHIBITED.

REVISIONS			
REV	DESCRIPTION	DATE	APPROVED
A	INITIAL RELEASE	01/25/2022	JJOHNSTON




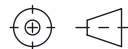
PART NUMBER	LENGTH METER [FEET]
FCA-SFCASTAS2	2.0 [6.56]
FCA-SFCASTAS5	5.0 [16.40]
FCA-SFCASTAS10	10.0 [32.81]
FCA-SFCASTAS15	15.0 [49.21]

NOTES:

- FC CONNECTOR 1 ASSEMBLY POLISH TYPE: APC.
- ST CONNECTOR 1 ASSEMBLY POLISH TYPE: APC.
- ALL CONNECTORS ACCOMPANIED WITH A DUST CAP INSTALLED (NOT SHOWN).
- CABLE ASSEMBLY SHALL BE INDIVIDUALLY PACKAGED.

REGULATORY COMPLIANCE:

EU RoHS DIRECTIVE (MOST RECENT RELEASED VERSION)

UNLESS OTHERWISE SPECIFIED, DIMENSIONS ARE IN INCHES [mm] OVERALL CABLE LENGTH TOLERANCE: ≤12 [305] = +1 [25] / -0 >12 [305] ≤60 [1524] = +2 [51] / -0 >60 [1524] ≤120 [3048] = +4 [102] / -0 >120 [3048] ≤300 [7620] = +6 [152] / -0 >300 [7620] = +5% / -0 ALL OTHER DIMENSIONAL TOLERANCES: .X = ± .2 [5] FRACTIONS ± 1/32 .XX = ± .02 [.5] ANGLES ± 1° .XXX = ± .005 [.13]	APPROVALS DRAWN BY DMAY CHECKED BY JJOHNSTON APPROVED BY JJOHNSTON	DATE 1/13/22 1/25/22 1/25/22	 an INFINITO brand 50 High Street, West Mill, North Andover, MA 01845 USA. Phone: 1.800.341.5266 1.978.682.6936
	CONFIGURATION DETAILS OF UNDIMENSIONED FEATURES MAY VARY		
THIRD-ANGLE PROJECTION 	COLOR VARIATIONS MAY OCCUR	PRODUCT DESCRIPTION FIBER OPTIC PATCH CORD SM G652D SIMPLEX FC/APC-ST/APC ARMORED 3.0mm LSZH, BLACK	SIZE A
SCALE: NONE		CAGE CODE 43321	ITEM NO. FCA-SFCASTAS
SHEET 1 OF 1		CAD FILE: FCA-SFCASTAS.SLDDRW	

Mouser Electronics

Authorized Distributor

Click to View Pricing, Inventory, Delivery & Lifecycle Information:

[infinite Electronics:](#)

[FCA-SFCAS2](#) [FCA-SFCAS15](#) [FCA-SFCAS5](#) [FCA-SFCAS10](#)