



**MODEL:** UJ20-C-H-G-MSMT-3-P16-TR | **DESCRIPTION:** USB RECEPTACLE

**FEATURES**

- USB Type C receptacle
- USB 2.0
- 480 Mbit/s data transfer speed
- reflow solder compatible
- tape & reel packaging



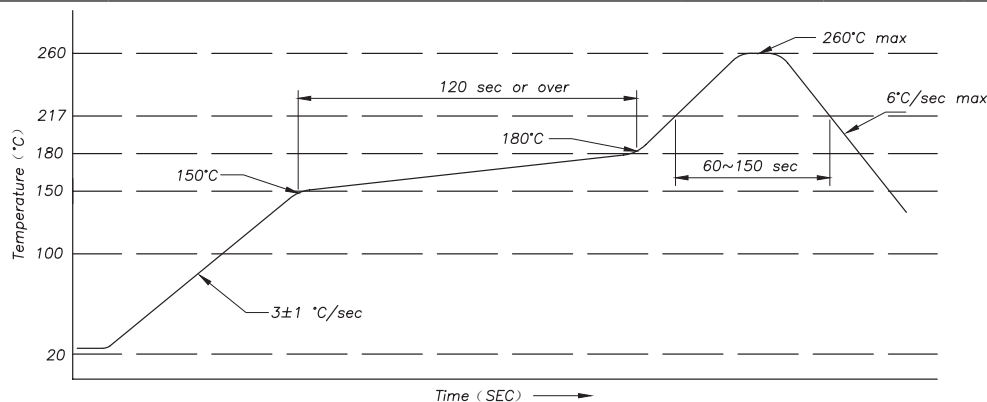
**SPECIFICATIONS**

| parameter                       | conditions/description  | min | typ    | max                 | units       |
|---------------------------------|---|-----|--------|---------------------|-------------|
| USB standard                    | USB 2.0   |     |        |                     |             |
| rated input voltage             |   |     |        | 48                  | Vdc         |
| rated input current             | as per EIA-364-70, Method B<br>power pins collectively [A1, A4, A9, A12, B1, B4, B9, B12]<br>VCONN pins individually [A5, B5]<br>all other signal pins individually |     |        | 5.0<br>1.25<br>0.25 | A<br>A<br>A |
| contact resistance <sup>1</sup> | between terminals and mating plug   |     |        | 40                  | mΩ          |
| insulation resistance           | at 100 Vdc between adjacent contacts  | 100 |        |                     | MΩ          |
| voltage withstand               | between adjacent contacts for 1 minute  | 100 |        |                     | Vac         |
| insertion force                 | at a rate of 30 cycles/min  | 5   |        | 20                  | N           |
| withdrawal force                | at a rate of 30 cycles/min  | 8   |        | 20                  | N           |
| life                            | at a rate of 500 cycles per hour  |     | 10,000 |                     | cycles      |
| operating temperature           |   | -25 |        | 85                  | °C          |
| flammability rating             | UL94V-0   |     |        |                     |             |
| RoHS                            | yes   |     |        |                     |             |

Note: 1. When measured at 20 mV / 100 mA.

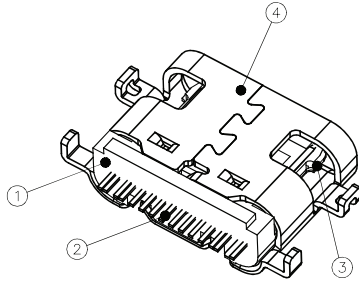
**SOLDERABILITY**

| parameter        | conditions/description      | min | typ | max | units |
|------------------|-----------------------------|-----|-----|-----|-------|
| reel storage     | at 20~30°C, 40~75% humidity |     |     |     |       |
| reflow soldering | see reflow profile          |     |     | 260 | °C    |

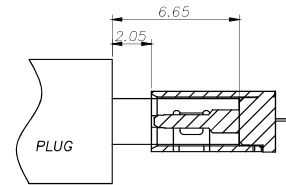
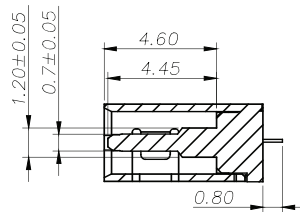
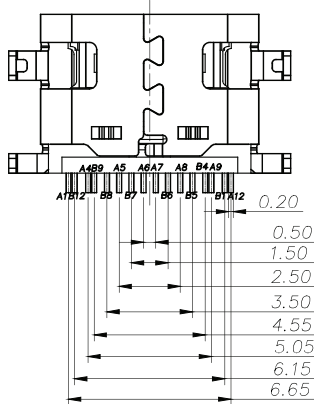
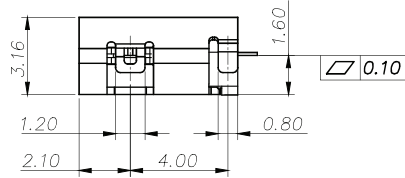
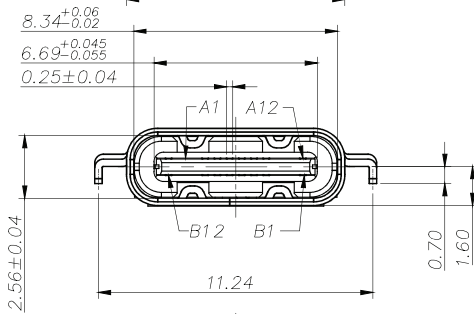
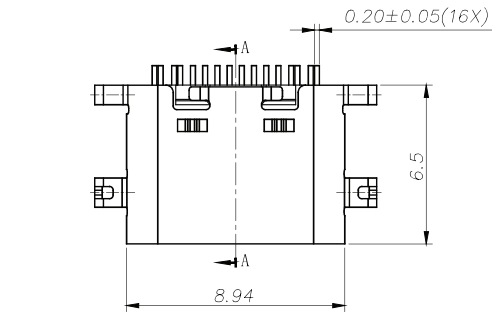


## MECHANICAL DRAWING

units: mm  
 tolerance:  
 X.X ±0.30 mm  
 X.XX ±0.20 mm  
 X.XXX ±0.10 mm  
 unless otherwise specified



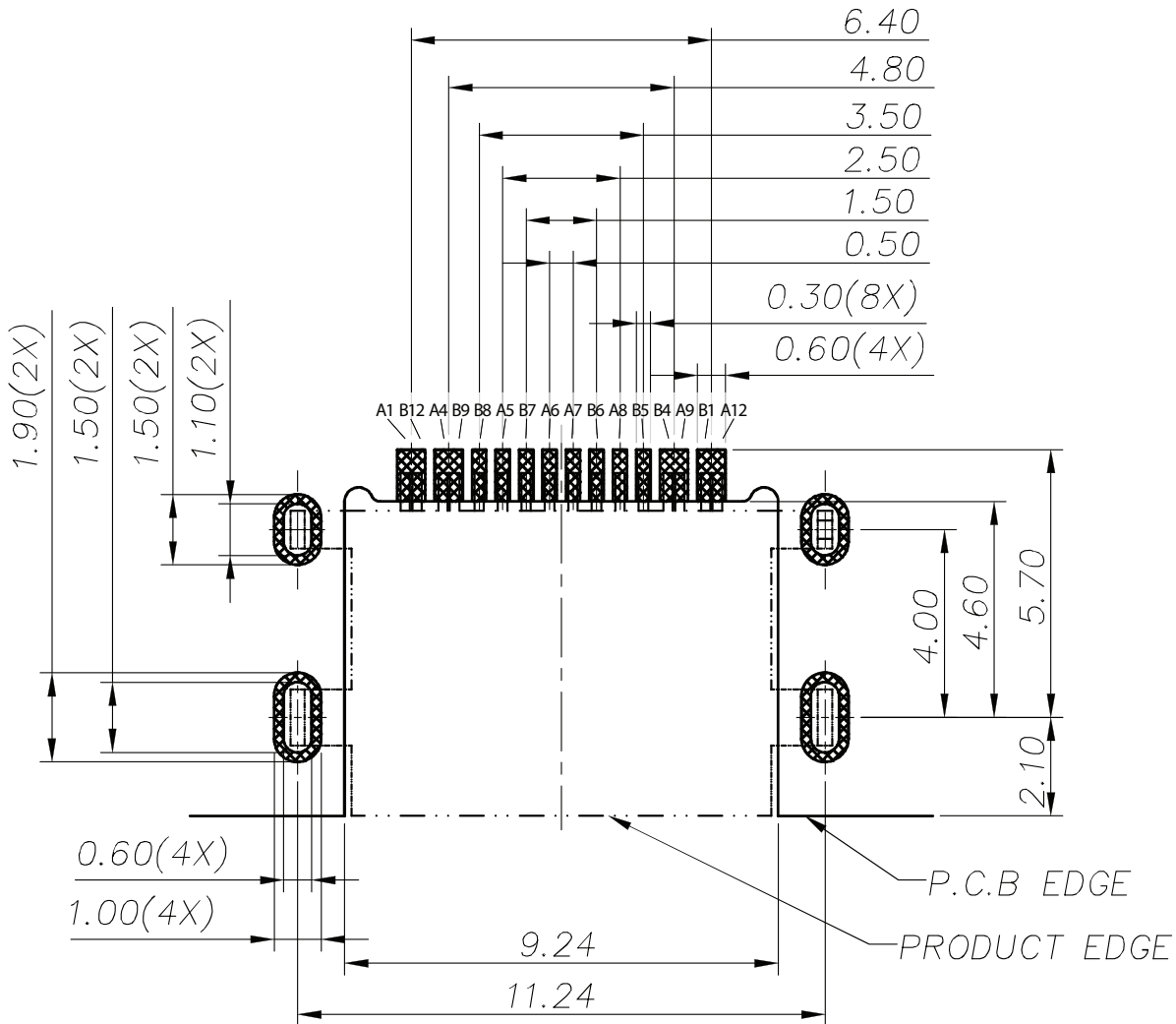
| ITEM | DESCRIPTION | MATERIAL       | PLATING/COLOR   |
|------|-------------|----------------|---|
| 1    | housing     | PA9T (UL94V-0) | black   |
| 2    | contact     | C1815          | contact area: 3 μ" gold over 50 μ" nickel<br>solder area: 1 μ" gold over 50 μ" nickel |
| 3    | mid plate   | SUS301         | 30 μ" nickel  |
| 4    | front shell | SUS304         |   |



## MECHANICAL DRAWING (CONTINUED)

units: mm  
 PCB tolerance: ±0.05 mm  
 PCB thickness: 0.80 mm

| PIN CONNECTIONS |             |     |             |
|-----------------|-------------|-----|-------------|
| PIN             | SIGNAL NAME | PIN | SIGNAL NAME |
| A1              | GND         | B12 | GND         |
| A4              | VBUS        | B9  | VBUS        |
| A5              | CC1         | B8  | SBU2        |
| A6              | Dp1         | B7  | Dn2         |
| A7              | Dn1         | B6  | Dp2         |
| A8              | SBU1        | B5  | CC2         |
| A9              | VBUS        | B4  | VBUS        |
| A12             | GND         | B1  | GND         |

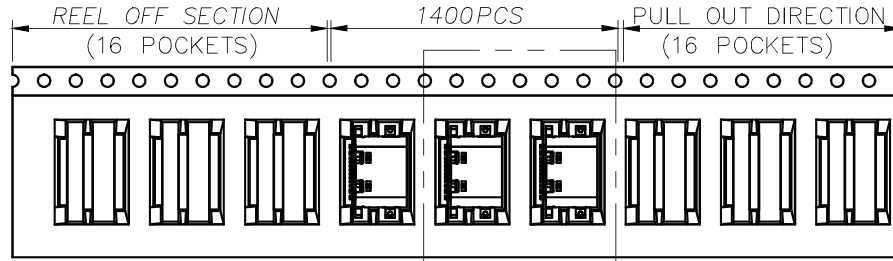


Recommended PCB Layout  
 Top View

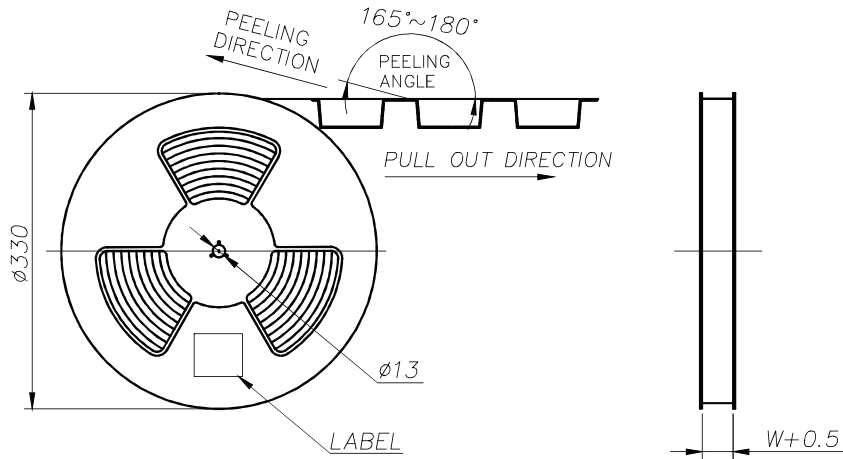
## PACKAGING

units: mm

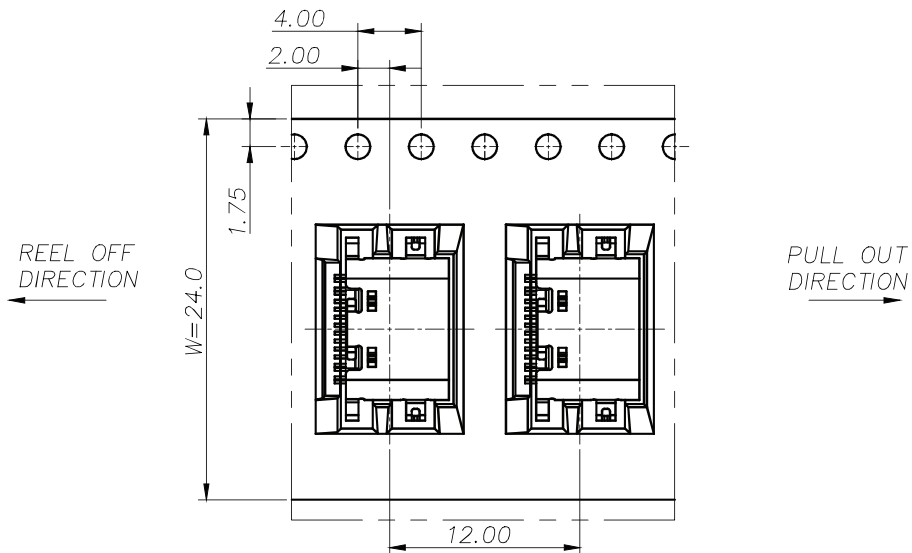
Reel Size:  $\varnothing 330$  mm  
 Reel QTY: 1,400 pcs per reel  
 Carton Size: 330 x 330 x 320 mm  
 Carton QTY: 14,000 pcs



SEE DETAIL X



### DETAIL X



## REVISION HISTORY

| rev. | description                       | date       |
|------|-----------------------------------|------------|
| 1.0  | initial release                   | 07/24/2024 |
| 1.01 | CUI Devices rebranded to Same Sky | 09/12/2024 |

The revision history provided is for informational purposes only and is believed to be accurate.



Same Sky offers a one (1) year limited warranty. Complete warranty information is listed on our website.

Same Sky reserves the right to make changes to the product at any time without notice. Information provided by Same Sky is believed to be accurate and reliable. However, no responsibility is assumed by Same Sky for its use, nor for any infringements of patents or other rights of third parties which may result from its use.

Same Sky products are not authorized or warranted for use as critical components in equipment that requires an extremely high level of reliability. A critical component is any component of a life support device or system whose failure to perform can be reasonably expected to cause the failure of the life support device or system, or to affect its safety or effectiveness.

[sameskydevices.com](https://www.sameskydevices.com)

# Mouser Electronics

Authorized Distributor

Click to View Pricing, Inventory, Delivery & Lifecycle Information:

[Same Sky:](#)

[UJ20-C-H-G-MSMT-3-P16-TR](#)