



SERIES: TS34 | **DESCRIPTION:** TACTILE SWITCH

FEATURES

- surface mount
- halogen & halogen free



SPECIFICATIONS

| parameter | conditions/description | min | typ | max | units |
|-----------------------|--|------|---------|------|--------|
| rated voltage | | 1 | | 12 | Vdc |
| rated current | | 0.01 | | 50 | mA |
| withstanding voltage | for 1 minute | | 250 | | Vac |
| contact resistance | | | | 100 | mΩ |
| insulation resistance | at 100 Vdc | 100 | | | MΩ |
| operating force | 100 gf models | 50 | 100 | 150 | gf |
| | 160 gf models | 110 | 160 | 210 | gf |
| | 260 gf models | 190 | 260 | 330 | gf |
| return force | 100 gf models | 10 | | | gf |
| | 160 & 260 gf models | 50 | | | gf |
| actuator travel | | 0.15 | 0.25 | 0.45 | mm |
| operating temperature | | -40 | | 90 | °C |
| storage temperature | | -40 | | 90 | °C |
| life | at 5 Vdc, 5 mA, 2 cycles/second, 1.5 times operating force | | 100,000 | | cycles |
| vibration | 10~55~10 Hz, 1.5 mm amplitude, 2 hours on each XYZ | | | | |
| flammability rating | see material table | | | | |
| RoHS | yes | | | | |

PART NUMBER KEY

TS34 - 62 - XX - BK - X - XXX - X - SMT - TR

Base Number

Actuator Height (mm):
 2 = 2.0
 25 = 2.5
 31 = 3.1
 35 = 3.5

Ground:
 'blank' = without ground
 G = with ground

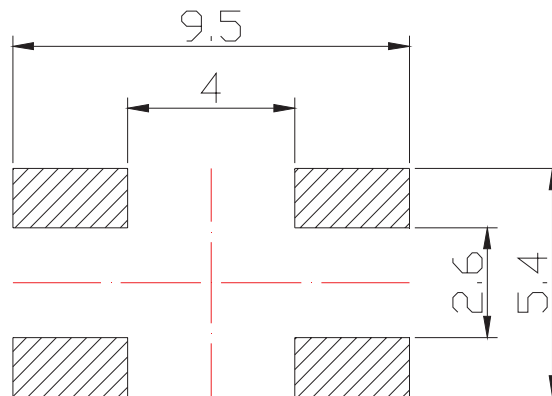
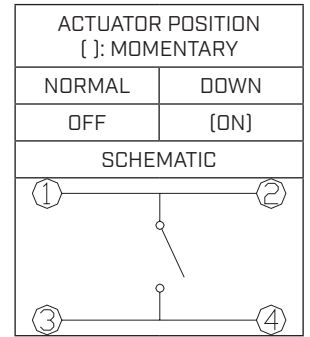
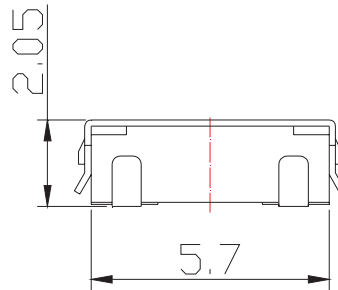
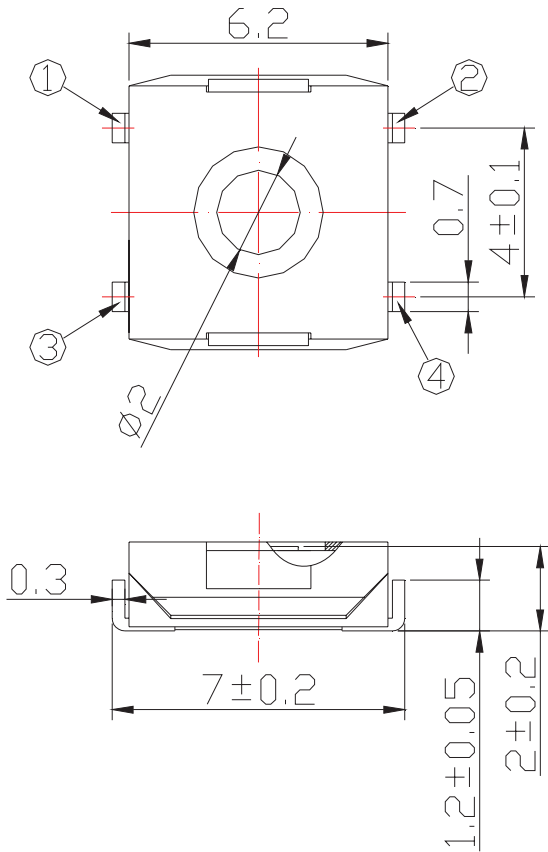
Actuator Force (gf):
 100 = 100
 160 = 160
 260 = 260

Halogen Free:
 'blank' = with halogen
 H = halogen free

MECHANICAL DRAWING (2.0 MM HEIGHT, NO GROUND)

units: mm
 tolerance:
 L≤10: ±0.3 mm
 10<L≤100: ±0.5 mm
 unless otherwise specified

| DESCRIPTION | MATERIAL | PLATING/COLOR |
|-------------|--|----------------|
| terminal | brass | silver |
| housing | PA6T (halogen models) PPA (halogen free models) | black black |
| dome | stainless steel | silver |
| stem | FR52 (halogen models) PPA (halogen free models) | black black |
| cover | stainless steel | |

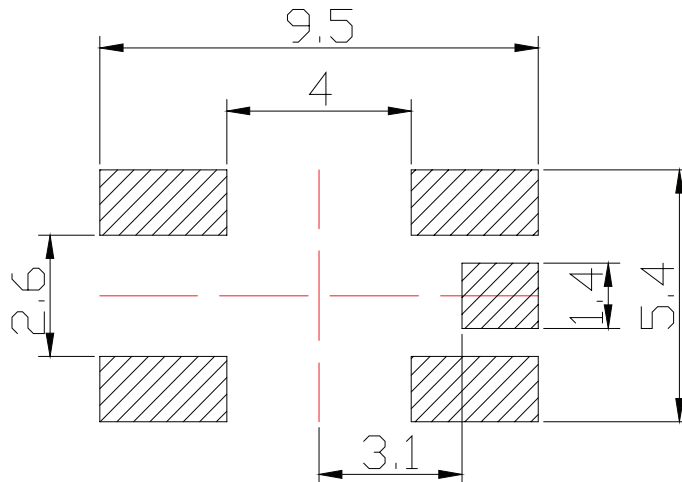
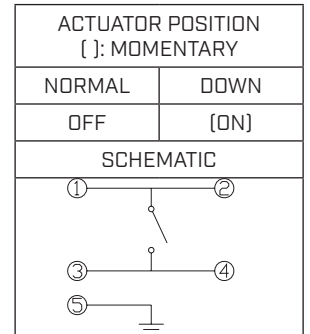
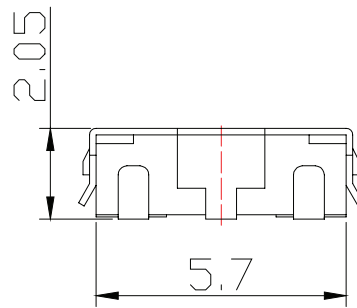
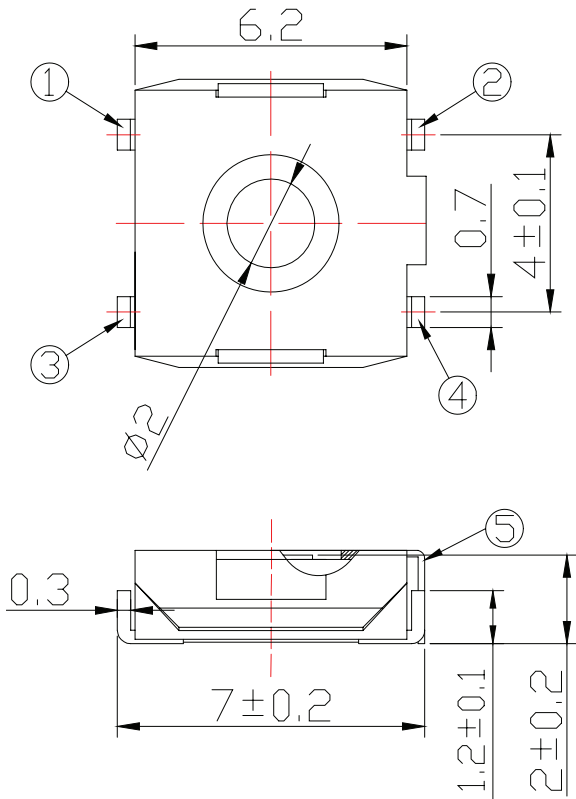


Recommended PCB Layout
Top View

MECHANICAL DRAWING (2.0 MM HEIGHT, WITH GROUND)

units: mm
 tolerance:
 L≤10: ±0.3 mm
 10<L≤100: ±0.5 mm
 unless otherwise specified

| DESCRIPTION | MATERIAL | PLATING/COLOR |
|-------------|--|----------------|
| terminal | brass | silver |
| housing | PA6T (halogen models) PPA (halogen free models) | black black |
| dome | stainless steel | silver |
| stem | FR52 (halogen models) PPA (halogen free models) | black black |
| cover | phosphor bronze | tin |

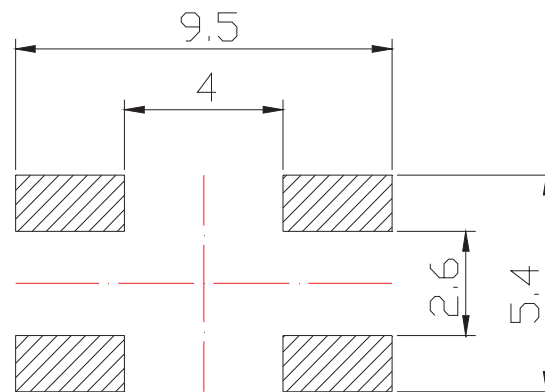
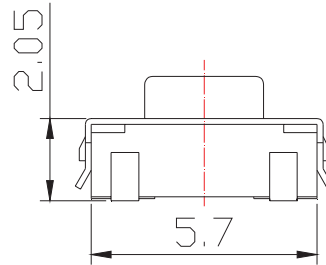
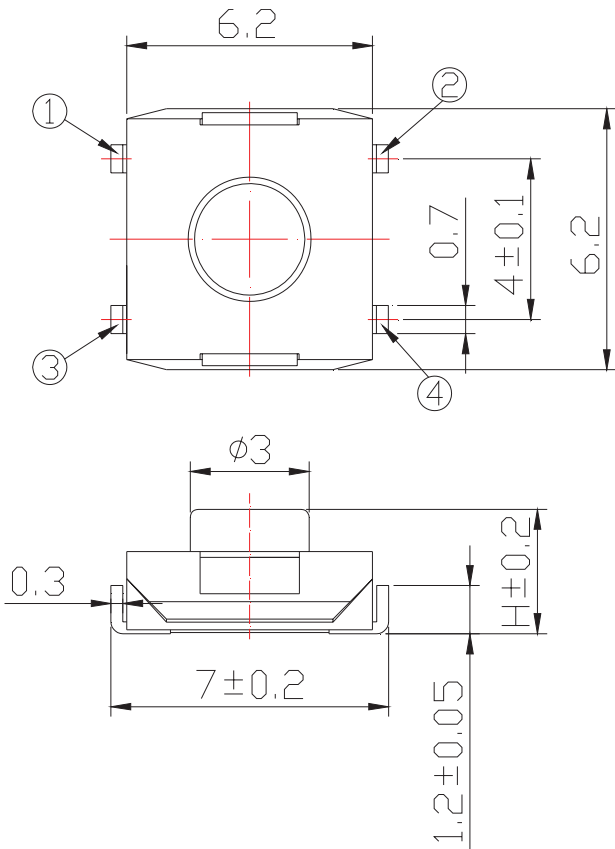


Recommended PCB Layout
Top View

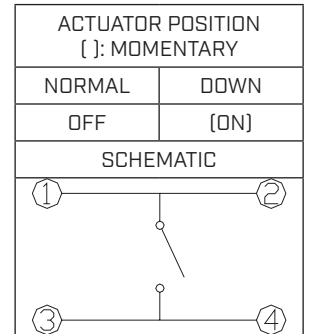
MECHANICAL DRAWING (2.5, 3.1, 3.5 MM HEIGHTS, NO GROUND)

units: mm
 tolerance:
 $L \leq 10$: ± 0.3 mm
 $10 < L \leq 100$: ± 0.5 mm
 unless otherwise specified

| DESCRIPTION | MATERIAL | PLATING/COLOR |
|-------------|--|----------------|
| terminal | brass | silver |
| housing | PA6T (halogen models) PPA (halogen free models) | black black |
| dome | stainless steel | silver |
| stem | FR52 (halogen models) PPA (halogen free models) | black black |
| cover | stainless steel | |



Recommended PCB Layout
Top View

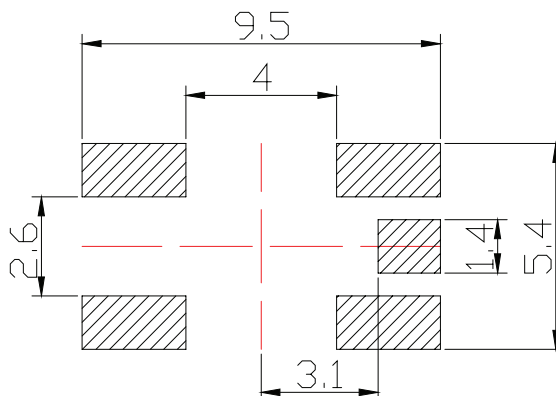
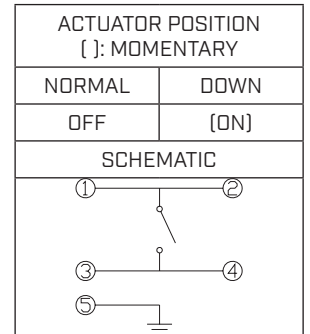
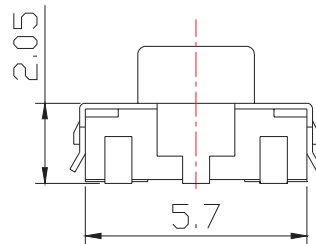
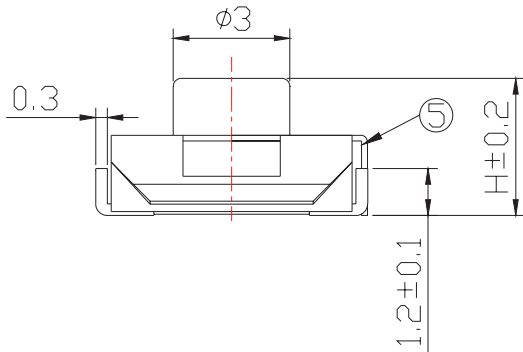
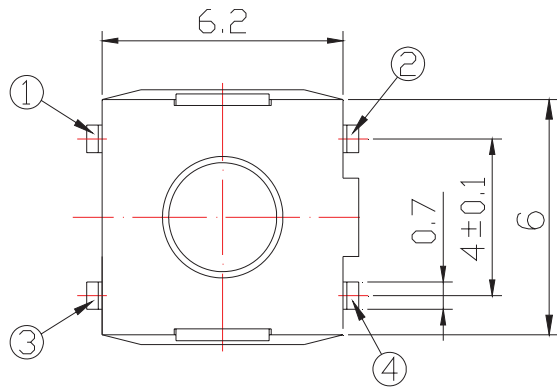


| Model | Actuator Height, H (mm) |
|-------|-------------------------|
| 25 | 2.5 mm |
| 31 | 3.1 mm |
| 35 | 3.5 mm |

MECHANICAL DRAWING (2.5, 3.1, 3.5 MM HEIGHTS, WITH GROUND)

units: mm
 tolerance:
 L≤10: ±0.3 mm
 10<L≤100: ±0.5 mm
 unless otherwise specified

| DESCRIPTION | MATERIAL | PLATING/COLOR |
|-------------|--|----------------|
| terminal | brass | silver |
| housing | PA6T (halogen models) PPA (halogen free models) | black black |
| dome | stainless steel | silver |
| stem | FR52 (halogen models) PPA (halogen free models) | black black |
| cover | phosphor bronze | tin |

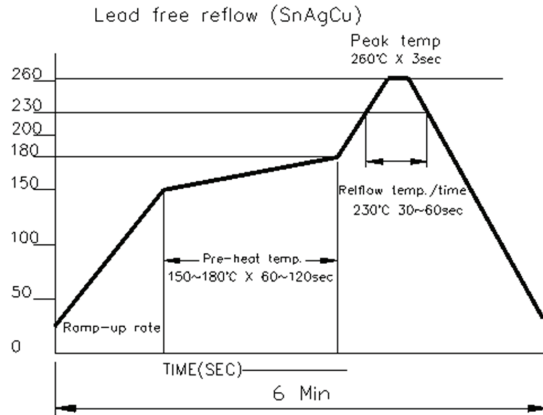


Recommended PCB Layout
Top View

| Model | Actuator Height, H (mm) |
|-------|-------------------------|
| 25 | 2.5 mm |
| 31 | 3.1 mm |
| 35 | 3.5 mm |

SOLDERABILITY

| parameter | conditions/description | min | typ | max | units |
|------------------|------------------------|-----|-----|-----|-------|
| reflow soldering | | | 260 | | °C |

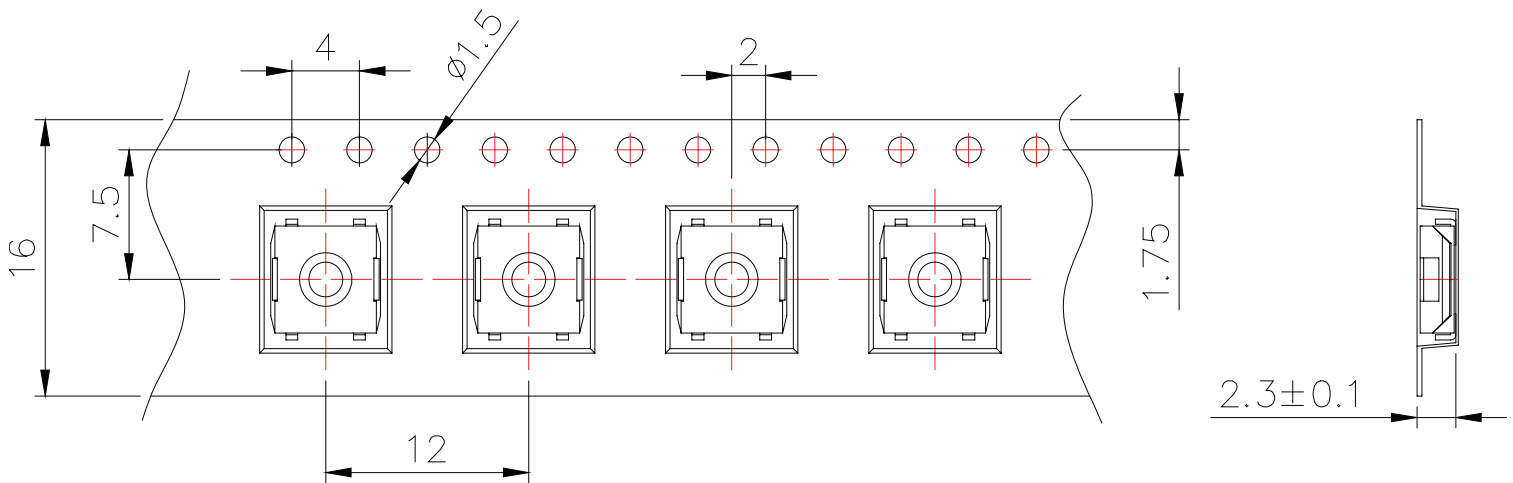


PACKAGING

units: mm

Reel QTY: 2,500 pcs

2 mm height models



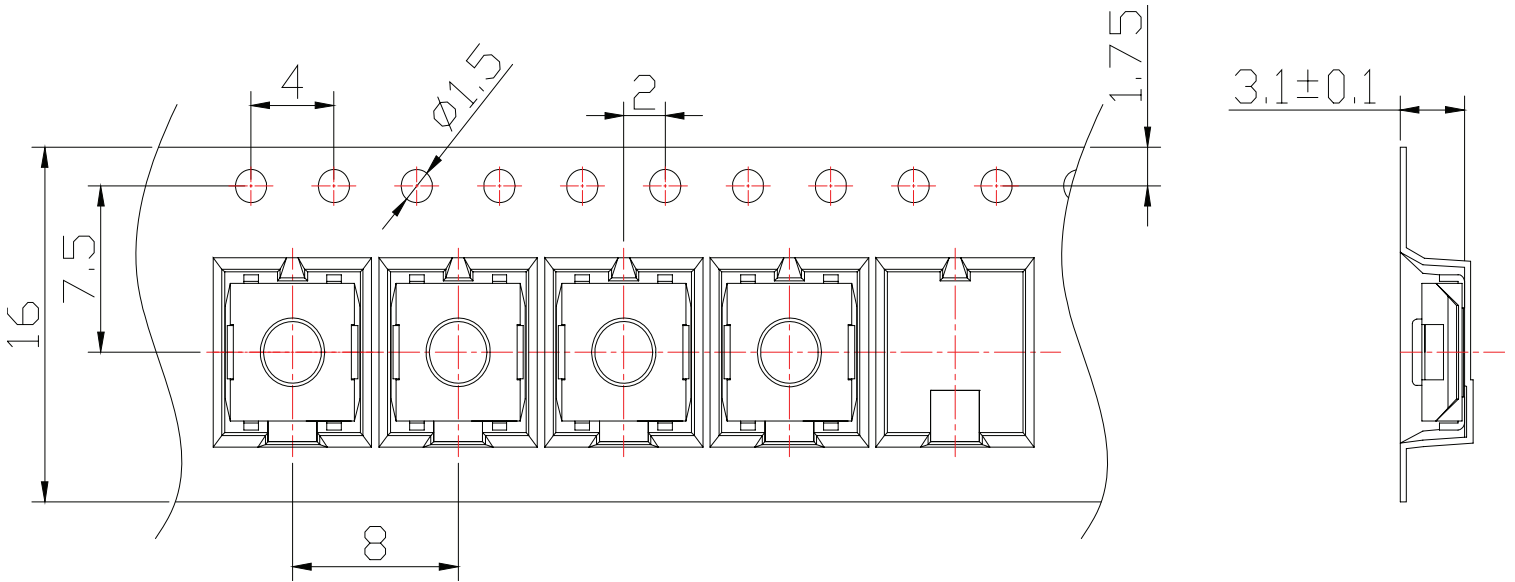
Pulling-out direction the tape

PACKAGING (CONTINUED)

units: mm

Reel QTY: 2,500 pcs

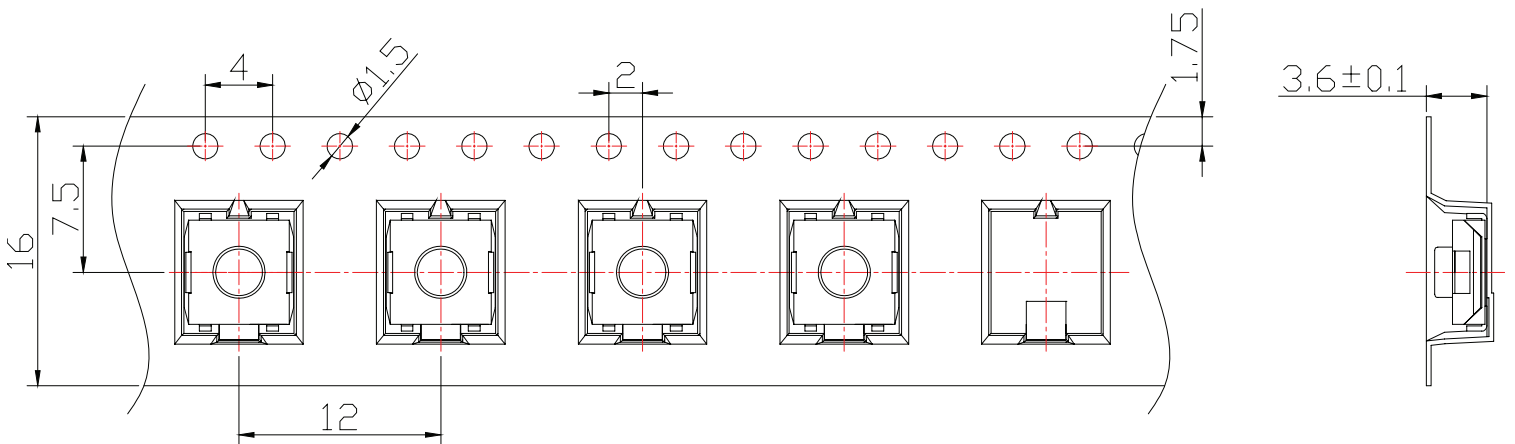
2.5 mm height models



units: mm

Reel QTY: 1,500 pcs

3.1 mm and 3.5 mm height models



REVISION HISTORY

| rev. | description | date |
|------|-----------------|------------|
| 1.0 | initial release | 12/10/2024 |

The revision history provided is for informational purposes only and is believed to be accurate.



Same Sky offers a one (1) year limited warranty. Complete warranty information is listed on our website.

Same Sky reserves the right to make changes to the product at any time without notice. Information provided by Same Sky is believed to be accurate and reliable. However, no responsibility is assumed by Same Sky for its use, nor for any infringements of patents or other rights of third parties which may result from its use.

Same Sky products are not authorized or warranted for use as critical components in equipment that requires an extremely high level of reliability. A critical component is any component of a life support device or system whose failure to perform can be reasonably expected to cause the failure of the life support device or system, or to affect its safety or effectiveness.

[sameskydevices.com](https://www.sameskydevices.com)

Mouser Electronics

Authorized Distributor

Click to View Pricing, Inventory, Delivery & Lifecycle Information:

[Same Sky:](#)

[TS34-62-31-BK-G-100-H-SMT-TR](#) [TS34-62-35-BK-G-100-SMT-TR](#) [TS34-62-25-BK-260-SMT-TR](#) [TS34-62-25-BK-G-100-H-SMT-TR](#) [TS34-62-2-BK-G-260-SMT-TR](#) [TS34-62-2-BK-160-H-SMT-TR](#) [TS34-62-31-BK-G-100-SMT-TR](#) [TS34-62-25-BK-G-160-SMT-TR](#) [TS34-62-2-BK-G-160-H-SMT-TR](#) [TS34-62-31-BK-160-SMT-TR](#) [TS34-62-35-BK-100-SMT-TR](#) [TS34-62-31-BK-G-160-H-SMT-TR](#) [TS34-62-25-BK-160-H-SMT-TR](#) [TS34-62-35-BK-G-160-SMT-TR](#) [TS34-62-35-BK-160-H-SMT-TR](#) [TS34-62-35-BK-260-SMT-TR](#) [TS34-62-31-BK-100-H-SMT-TR](#) [TS34-62-2-BK-260-H-SMT-TR](#) [TS34-62-31-BK-G-160-SMT-TR](#) [TS34-62-35-BK-G-260-H-SMT-TR](#) [TS34-62-25-BK-G-100-SMT-TR](#) [TS34-62-25-BK-G-160-H-SMT-TR](#) [TS34-62-2-BK-G-160-SMT-TR](#) [TS34-62-2-BK-G-260-H-SMT-TR](#) [TS34-62-35-BK-160-SMT-TR](#) [TS34-62-25-BK-G-260-SMT-TR](#) [TS34-62-31-BK-260-SMT-TR](#) [TS34-62-31-BK-160-H-SMT-TR](#) [TS34-62-31-BK-260-H-SMT-TR](#) [TS34-62-2-BK-100-SMT-TR](#) [TS34-62-2-BK-160-SMT-TR](#) [TS34-62-35-BK-G-260-SMT-TR](#) [TS34-62-25-BK-260-H-SMT-TR](#) [TS34-62-35-BK-260-H-SMT-TR](#) [TS34-62-31-BK-G-260-H-SMT-TR](#) [TS34-62-2-BK-260-SMT-TR](#) [TS34-62-2-BK-G-100-SMT-TR](#) [TS34-62-25-BK-100-SMT-TR](#) [TS34-62-25-BK-160-SMT-TR](#) [TS34-62-35-BK-G-100-H-SMT-TR](#) [TS34-62-25-BK-G-260-H-SMT-TR](#) [TS34-62-2-BK-100-H-SMT-TR](#) [TS34-62-31-BK-G-260-SMT-TR](#) [TS34-62-35-BK-G-160-H-SMT-TR](#) [TS34-62-25-BK-100-H-SMT-TR](#) [TS34-62-2-BK-G-100-H-SMT-TR](#) [TS34-62-31-BK-100-SMT-TR](#) [TS34-62-35-BK-100-H-SMT-TR](#)