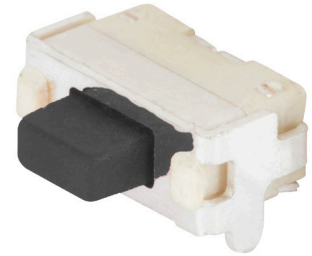




SERIES: TS30 | **DESCRIPTION:** TACTILE SWITCH

FEATURES

- right angle
- halogen & halogen free



SPECIFICATIONS

parameter	conditions/description	min	typ	max	units
rated voltage		1		12	Vdc
rated current		0.01		50	mA
withstanding voltage	for 1 minute		250		Vac
contact resistance				100	mΩ
insulation resistance	at 100 Vdc	100			MΩ
operating force		110	160	210	gf
return force		30			gf
actuator travel		0.05	0.15	0.35	mm
operating temperature		-20		70	°C
storage temperature		-30		80	°C
life	at 12 Vdc, 5 mA, 2 cycles/second, 1.5 times operating force		50,000		cycles
vibration	10~55~10 Hz, 1.5 mm amplitude, 2 hours on each XYZ				
flammability rating	see material table				
RoHS	yes				

PART NUMBER KEY

TS30 - 46 - XX - BK - 160 - RA - X - SMT - TR

Base Number

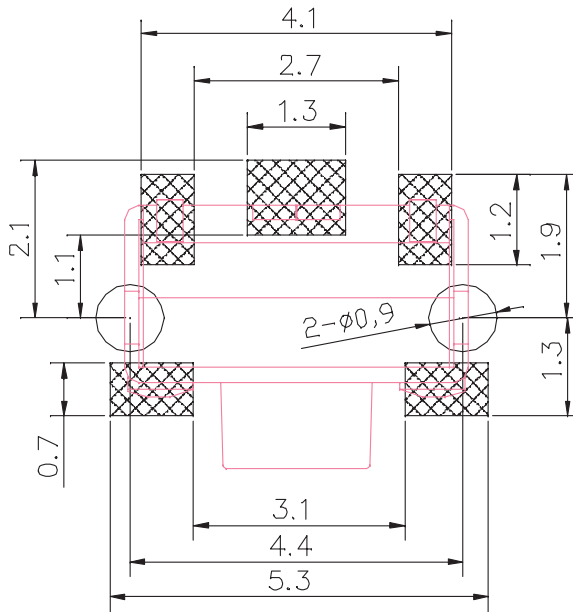
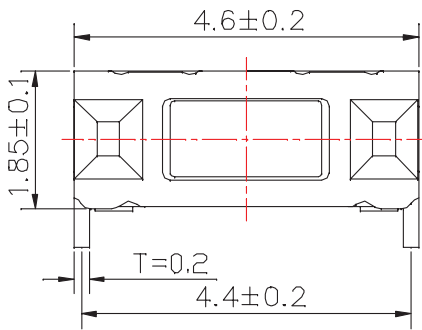
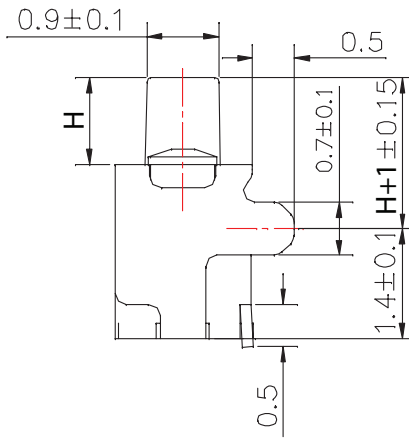
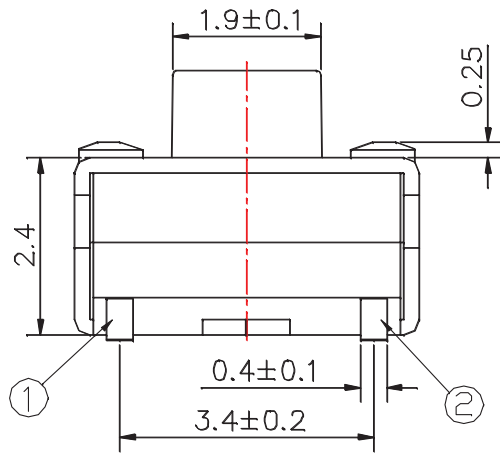
Actuator Height (mm):
34 = 1.0
35 = 1.15

Halogen Free:
'blank' = with halogen
H = halogen free

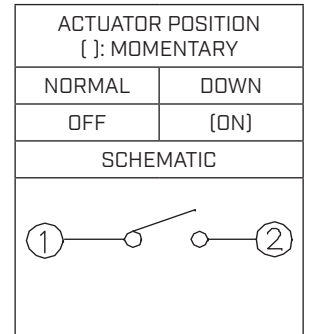
MECHANICAL DRAWING

units: mm
 tolerance:
 $L \leq 10$: ± 0.3
 $10 < L \leq 100$: ± 0.5
 unless otherwise specified

DESCRIPTION	MATERIAL	PLATING/COLOR
cover	phosphor bronze strip	silver
stem	PPA	black
tape	polyimide film	
dome	stainless steel	silver
housing	LCP	white
terminal	phosphor bronze	silver



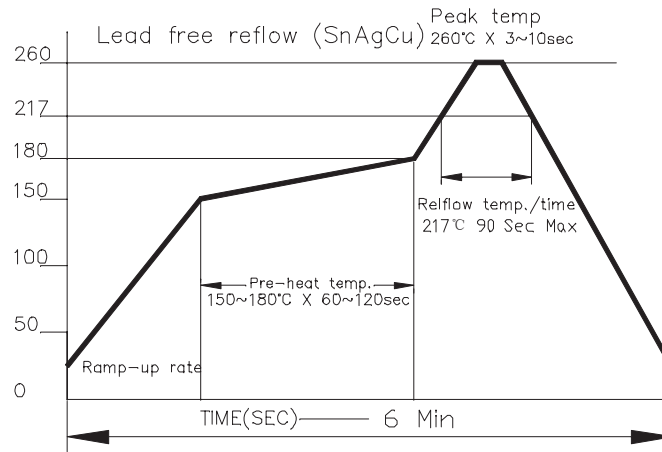
Recommended PCB Layout
Top View



Model	Actuator Height [mm]
34	1.0
35	1.15

SOLDERABILITY

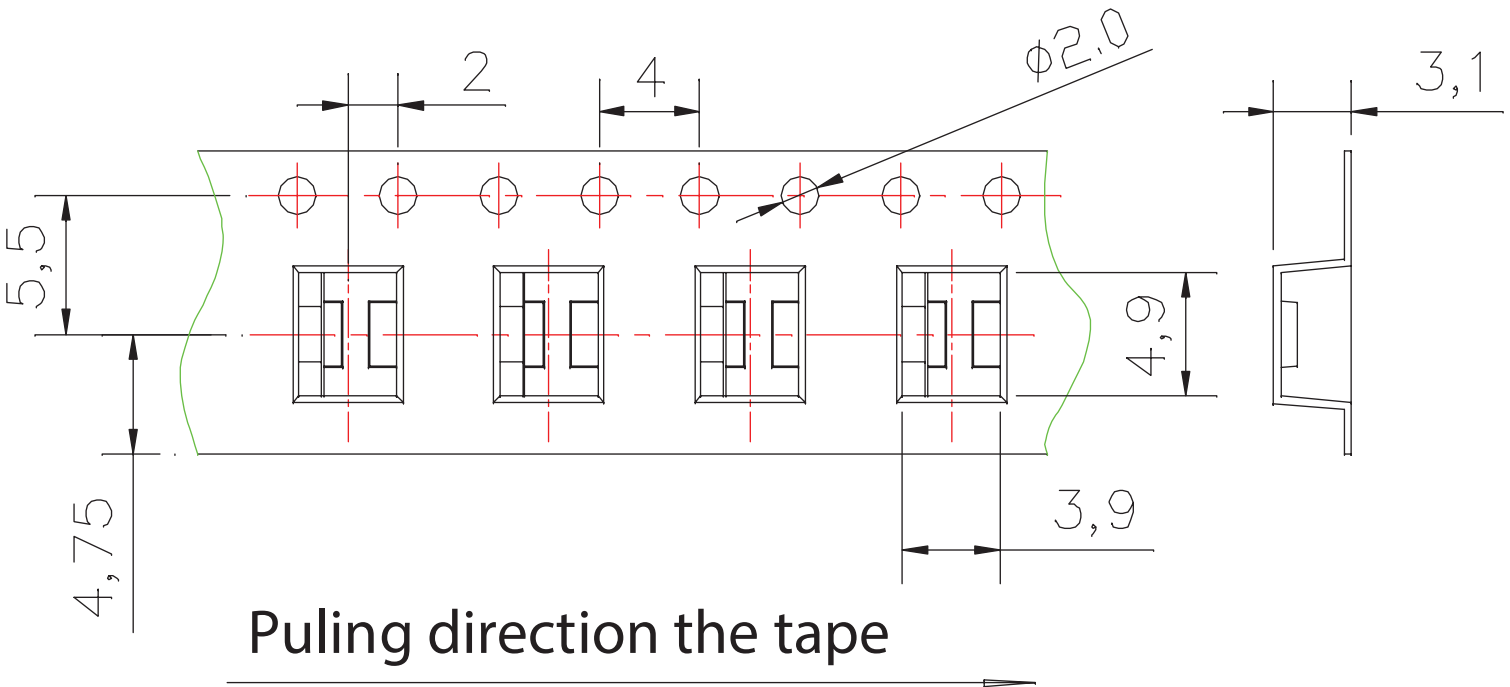
parameter	conditions/description	min	typ	max	units
reflow soldering			260		°C



PACKAGING

units: mm

Reel QTY: 3,000 pcs



REVISION HISTORY

rev.	description	date
1.0	initial release	12/09/2024

The revision history provided is for informational purposes only and is believed to be accurate.



Same Sky offers a one (1) year limited warranty. Complete warranty information is listed on our website.

Same Sky reserves the right to make changes to the product at any time without notice. Information provided by Same Sky is believed to be accurate and reliable. However, no responsibility is assumed by Same Sky for its use, nor for any infringements of patents or other rights of third parties which may result from its use.

Same Sky products are not authorized or warranted for use as critical components in equipment that requires an extremely high level of reliability. A critical component is any component of a life support device or system whose failure to perform can be reasonably expected to cause the failure of the life support device or system, or to affect its safety or effectiveness.

[sameskydevices.com](https://www.sameskydevices.com)

Mouser Electronics

Authorized Distributor

Click to View Pricing, Inventory, Delivery & Lifecycle Information:

[Same Sky:](#)

[TS30-46-34-BK-160-RA-SMT-TR](#) [TS30-46-35-BK-160-RA-H-SMT-TR](#) [TS30-46-35-BK-160-RA-SMT-TR](#) [TS30-46-34-BK-160-RA-H-SMT-TR](#)