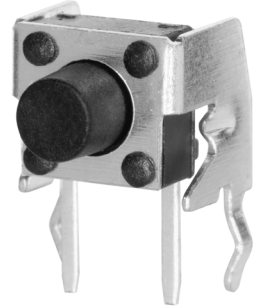




## SERIES: TS11 | DESCRIPTION: TACTILE SWITCH

### FEATURES

- right angle
- 4.3-15.3 mm actuator
- through hole



### SPECIFICATIONS

parameter	conditions/description	min	typ	max	units
rated voltage		1		12	Vdc
rated current		0.01		50	mA
withstanding voltage	for 1 minute		250		Vac
contact resistance	applying load of 2 times operating force at 5 Vdc, 10 mA			100	mΩ
insulation resistance	at 100 Vdc for 1 minute	100			MΩ
operating force	see force table				
actuator travel		0.15	0.25	0.35	mm
operating temperature		-30		80	°C
storage temperature		-40		90	°C
life	rated load, 2 cycles/second, 1.5 times operating force				
	100 gf models		100,000		cycles
	160 gf models		80,000		cycles
	260 gf models		60,000		cycles
vibration	10-55-10 Hz, 1.5 mm amplitude, 2 hours on each XYZ				
flammability rating	see material table				
RoHS	yes				

### SOLDERABILITY

parameter	conditions/description	min	typ	max	units
hand soldering	for maximum 3 seconds			350	°C
wave soldering	for maximum 5 seconds			260	°C

### PART NUMBER KEY

**TS11 - 674 - XX - BK - XXX - RA - D**

Base Number

Actuator Height:

43 = 4.3 mm    85 = 8.5 mm  
 50 = 5.0 mm    95 = 9.5 mm  
 55 = 5.5 mm    105 = 10.5 mm  
 65 = 6.5 mm    120 = 12.0 mm  
 73 = 7.3 mm    135 = 13.5 mm  
 80 = 8.0 mm    153 = 15.3 mm

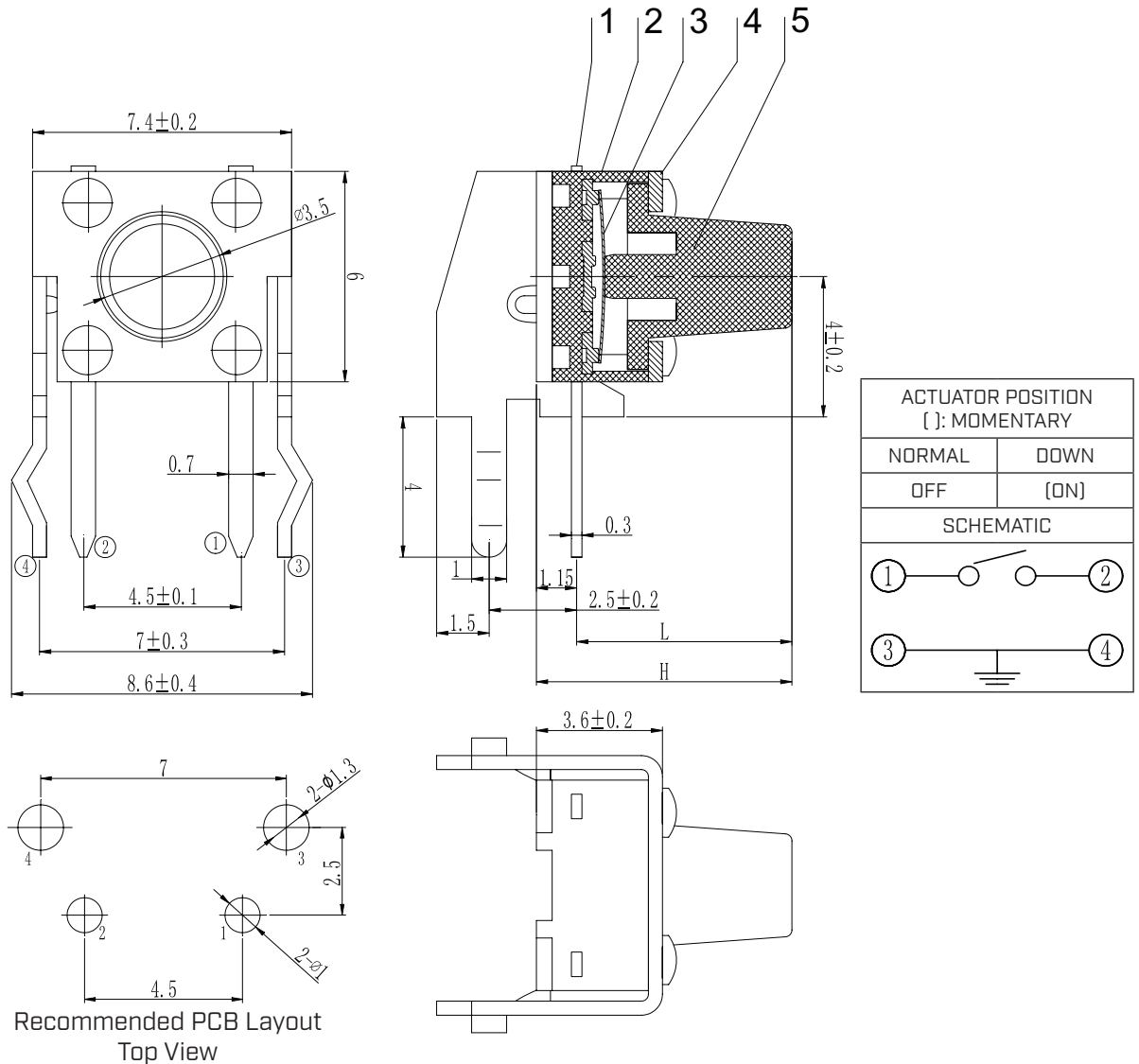
Push Force:

100 = 100 gf  
 160 = 160 gf  
 260 = 260 gf

## MECHANICAL DRAWING

units: mm  
tolerance:  $\pm 0.2$  mm  
unless otherwise noted

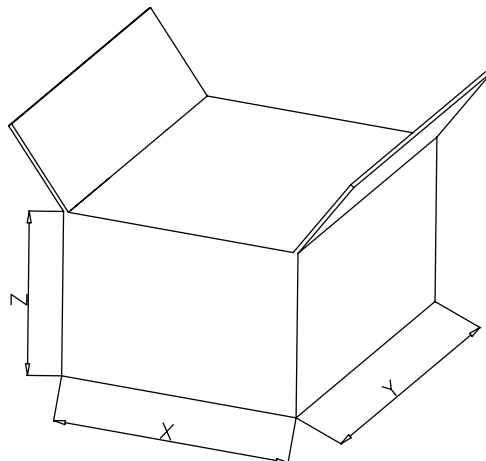
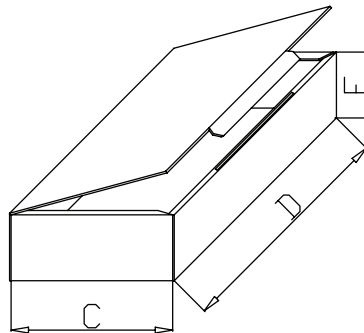
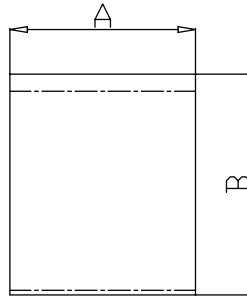
ITEM	DESCRIPTION	MATERIAL	PLATING/COLOR
1	terminals	brass	silver
2	housing	PA66 (UL94HB)	black
3	contacts	stainless steel	silver
4	cover	CuSn	tin
5	stem	PA66 (UL94HB)	black



Model	Press Force [gf]	Return Force [gf]
100	$100 \pm 30$	$> 20$
160	$160 \pm 50$	$> 20$
260	$260 \pm 50$	$> 20$

## PACKAGING

Packaging Table						
Actuator Height Models (mm)	Bag Size (AxB) (mm)	Bag QTY	Inner Box Size [CxDxE] (mm)	Inner Box QTY	Carton Size [XxYxZ] (mm)	Carton QTY
4.3-8.5	160 x 190	1,000	160 x 216 x 48	2,000	350 x 455 x 270	40,000
9.5	160 x 190	1,000	160 x 216 x 61	2,000	350 x 455 x 270	32,000
10.5-15.3	160 x 190	1,000	160 x 216 x 48	1,000	350 x 455 x 270	20,000



## REVISION HISTORY

rev.	description	date
1.0	initial release	04/13/2022
1.01	logo, datasheet style update	08/05/2022
1.02	CUI Devices rebranded to Same Sky	09/12/2024

The revision history provided is for informational purposes only and is believed to be accurate.



Same Sky offers a one (1) year limited warranty. Complete warranty information is listed on our website.

Same Sky reserves the right to make changes to the product at any time without notice. Information provided by Same Sky is believed to be accurate and reliable. However, no responsibility is assumed by Same Sky for its use, nor for any infringements of patents or other rights of third parties which may result from its use.

Same Sky products are not authorized or warranted for use as critical components in equipment that requires an extremely high level of reliability. A critical component is any component of a life support device or system whose failure to perform can be reasonably expected to cause the failure of the life support device or system, or to affect its safety or effectiveness.

[sameskydevices.com](https://www.sameskydevices.com)

# Mouser Electronics

Authorized Distributor

Click to View Pricing, Inventory, Delivery & Lifecycle Information:

[Same Sky:](#)

[TS11-674-105-BK-100-RA-D](#) [TS11-674-105-BK-160-RA-D](#) [TS11-674-105-BK-260-RA-D](#) [TS11-674-120-BK-100-RA-D](#) [TS11-674-120-BK-160-RA-D](#) [TS11-674-120-BK-260-RA-D](#) [TS11-674-135-BK-100-RA-D](#) [TS11-674-135-BK-160-RA-D](#) [TS11-674-135-BK-260-RA-D](#) [TS11-674-153-BK-100-RA-D](#) [TS11-674-153-BK-160-RA-D](#) [TS11-674-153-BK-260-RA-D](#) [TS11-674-43-BK-100-RA-D](#) [TS11-674-43-BK-160-RA-D](#) [TS11-674-43-BK-260-RA-D](#) [TS11-674-50-BK-100-RA-D](#) [TS11-674-50-BK-160-RA-D](#) [TS11-674-50-BK-260-RA-D](#) [TS11-674-55-BK-100-RA-D](#) [TS11-674-55-BK-160-RA-D](#) [TS11-674-55-BK-260-RA-D](#) [TS11-674-65-BK-100-RA-D](#) [TS11-674-65-BK-160-RA-D](#) [TS11-674-65-BK-260-RA-D](#) [TS11-674-73-BK-100-RA-D](#) [TS11-674-73-BK-160-RA-D](#) [TS11-674-73-BK-260-RA-D](#) [TS11-674-80-BK-100-RA-D](#) [TS11-674-80-BK-160-RA-D](#) [TS11-674-80-BK-260-RA-D](#) [TS11-674-85-BK-100-RA-D](#) [TS11-674-85-BK-160-RA-D](#) [TS11-674-85-BK-260-RA-D](#) [TS11-674-95-BK-100-RA-D](#) [TS11-674-95-BK-160-RA-D](#) [TS11-674-95-BK-260-RA-D](#)