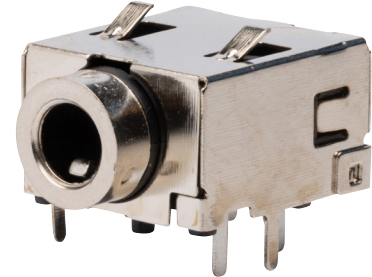


SERIES: SJ-435107 | **DESCRIPTION:** AUDIO JACK**FEATURES**

- grounded spring tabs
- shielded
- metal bushing

**PART NUMBER KEY****SJ - 435107 X**

Base Number

Switch Options
"blank" = no switch
RS = isolated ring switch**SPECIFICATIONS**

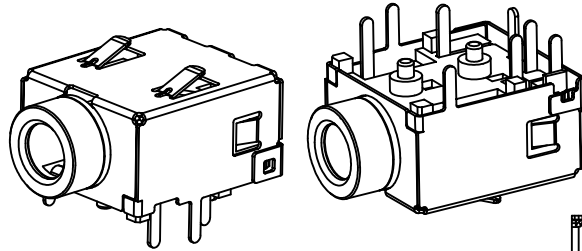
| parameter | conditions/description | min | typ | max | units |
|----------------------------|--|-----|-------|----------|----------|
| rated input voltage | | | 12 | | Vdc |
| rated input current | | | | 1.0 | A |
| contact resistance | between terminal and mating plug between terminal in a closed circuit | | | 50 30 | mΩ mΩ |
| insulation resistance | | 100 | | | MΩ |
| voltage withstand | for 1 minute | | | 500 | Vac |
| insertion/withdrawal force | | 0.3 | | 3 | kg |
| operating temperature | | -25 | | 85 | °C |
| life | | | 5,000 | | cycles |
| flammability rating | UL94V-0 | | | | |
| RoHS | yes | | | | |

SOLDERABILITY

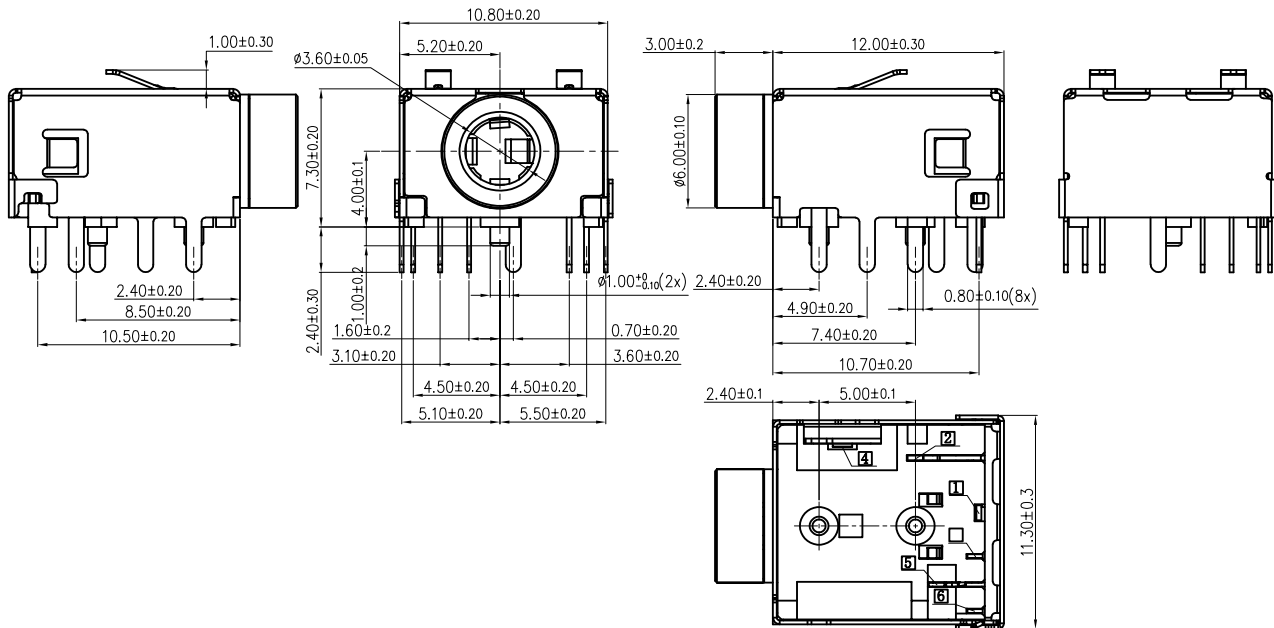
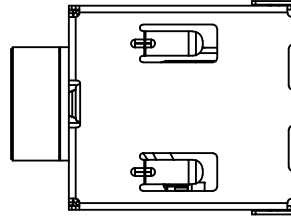
| parameter | conditions/description | min | typ | max | units |
|----------------|--|-----|-----|-----|-------|
| wave soldering | dipped in solder pot for 5 ±0.5 seconds at | 255 | 260 | 265 | °C |

MECHANICAL DRAWING

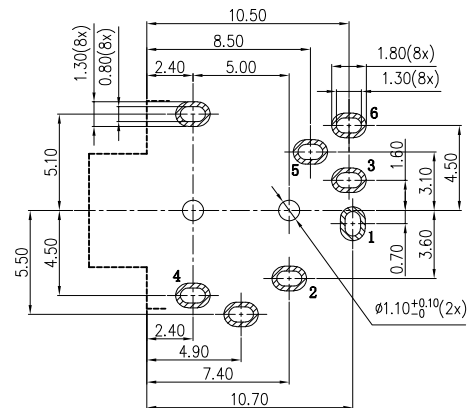
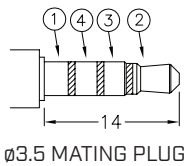
units: mm
 tolerance:
 X.X ±0.50 mm
 X.XX ±0.30 mm
 X.XXX ±0.15 mm
 PCB: ±0.05 mm
 unless otherwise specified



| DESCRIPTION | MATERIAL | PLATING/COLOR |
|----------------|----------------|---------------|
| terminal [1-6] | copper alloy | tin |
| shield | brass | nickel |
| bushing | brass | nickel |
| housing | PA66 [UL94V-0] | black |



| Model No. | SJ-435107 | SJ-435107RS |
|-----------|-----------|------------------------------|
| Schematic | | |
| PIN | | |
| 1 | sleeve | sleeve |
| 2 | tip | tip |
| 3 | ring 1 | ring 1 |
| 4 | ring 2 | ring 2 |
| 5 | NP | isolated ring 1 |
| 6 | NP | isolated ring 1 switch [N-O] |



Recommended PCB Layout
 Top View

REVISION HISTORY

| rev. | description | date |
|------|---|------------|
| 1.0 | initial release | 02/23/2012 |
| 1.01 | updated schematic and spec | 06/07/2012 |
| 1.02 | added drawing dimension, updated spec | 01/03/2014 |
| 1.03 | brand update | 10/09/2019 |
| 1.04 | product reengineered for improved manufacturability and production yield, see PCN for details | 06/01/2023 |
| 1.05 | CUI Devices rebranded to Same Sky | 09/12/2024 |
| 1.06 | product reengineered for improved manufacturability and production yield, see PCN for details | 09/13/2024 |

The revision history provided is for informational purposes only and is believed to be accurate.



Same Sky offers a one (1) year limited warranty. Complete warranty information is listed on our website.

Same Sky reserves the right to make changes to the product at any time without notice. Information provided by Same Sky is believed to be accurate and reliable. However, no responsibility is assumed by Same Sky for its use, nor for any infringements of patents or other rights of third parties which may result from its use.

Same Sky products are not authorized or warranted for use as critical components in equipment that requires an extremely high level of reliability. A critical component is any component of a life support device or system whose failure to perform can be reasonably expected to cause the failure of the life support device or system, or to affect its safety or effectiveness.

[sameskydevices.com](https://www.sameskydevices.com)

Mouser Electronics

Authorized Distributor

Click to View Pricing, Inventory, Delivery & Lifecycle Information:

[Same Sky:](#)

[SJ-435107RS](#) [SJ-435107](#)