



MODEL: SJ-3571N | **DESCRIPTION:** AUDIO JACK

FEATURES

- PCB mount
- stereo
- right angle with isolated DPDT switch
- non-threaded

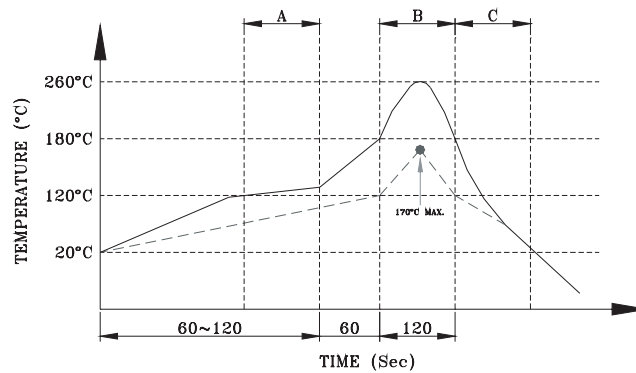


SPECIFICATIONS

| parameter | conditions/description | min | typ | max | units |
|----------------------------|--|-----|-------|-----------|----------|
| rated input voltage | | | 12 | | Vdc |
| rated input current | | | | 1 | A |
| contact resistance | between terminal and mating plug between terminal in a closed circuit | | | 100 50 | mΩ mΩ |
| insulation resistance | at 500 Vdc | 100 | | | MΩ |
| voltage withstand | for 1 minute | | | 500 | Vac |
| insertion/withdrawal force | | 0.3 | | 3 | kg |
| operating temperature | | -25 | | 85 | °C |
| life | | | 5,000 | | cycles |
| flammability rating | UL94V-0 | | | | |
| RoHS | yes | | | | |

SOLDERABILITY

| parameter | conditions/description | min | typ | max | units |
|----------------|------------------------|-----|-----|-----|-------|
| wave soldering | for max 5 seconds | 255 | 260 | 265 | °C |

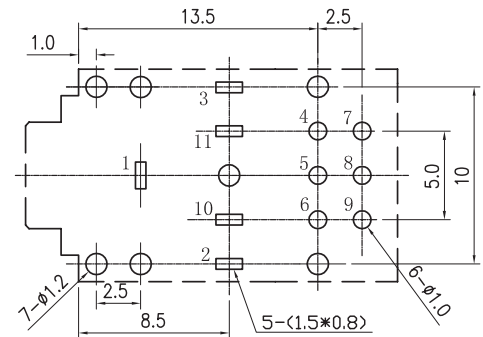
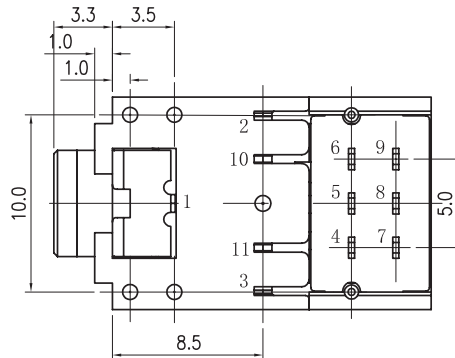
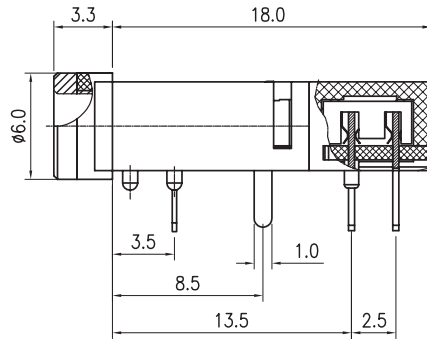
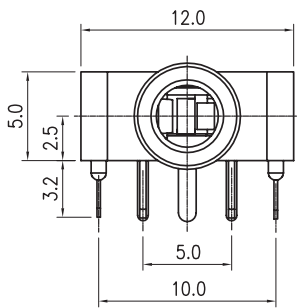


- A. Preheating
- B. Soldering
- C. Cooling
- Pin Temperature
- - - Component Temperature

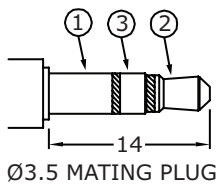
MECHANICAL DRAWING

units: mm
 tolerance:
 X.X ±0.30 mm
 X.XX ±0.25 mm
 X.XXX ±0.20 mm
 PCB: ±0.10 mm
 unless otherwise specified

| DESCRIPTION | MATERIAL | PLATING/COLOR |
|----------------------|---------------------------|---------------|
| terminal 1 | brass t=0.25 | CuSn |
| terminal 2 | stainless steel t=0.25 | CuSn |
| terminal 3 | stainless steel t=0.20 | CuSn |
| terminals 4~9 | brass t=0.35 | silver |
| terminals 10, 11 | brass t=0.35 | CuSn |
| bushing | copper alloy | CuSn |
| switch reed | compound silver copper | |
| switch/slide housing | PA66 (UL94V-0) | black |
| housing | PA66 (UL94V-0) | black |
| clip | copper alloy t=0.08 | |



Recommended PCB Layout
Top View



| | |
|-----------|--|
| Model No. | SJ-3571N |
| SCHEMATIC | |
| | Plug Not Inserted Plug Inserted |
| PIN | |
| 1 | sleeve |
| 2 | tip |
| 3 | ring |
| 10 | tip switch |
| 11 | ring switch |

REVISION HISTORY

| rev. | description | date |
|------|--|------------|
| 1.0 | initial release | 03/01/2006 |
| 1.01 | new template applied | 02/22/2012 |
| 1.02 | changed material of terminal 2 to be stainless steel | 04/05/2016 |
| 1.03 | changed terminal plating to silver | 02/13/2019 |
| 1.04 | brand update | 10/10/2019 |
| 1.05 | updated bushing details on model SJ-3579AN | 03/02/2020 |
| 1.06 | discontinued models SJ-3570AN, SJ-3570BN, SJ-3579AN, & SJ-3579BN; logo, datasheet style update | 08/15/2022 |
| 1.07 | product reengineered for improved manufacturability and production yield, see PCN for details | 05/23/2023 |
| 1.08 | CUI Devices rebranded to Same Sky | 09/12/2024 |

The revision history provided is for informational purposes only and is believed to be accurate.



Same Sky offers a one (1) year limited warranty. Complete warranty information is listed on our website.

Same Sky reserves the right to make changes to the product at any time without notice. Information provided by Same Sky is believed to be accurate and reliable. However, no responsibility is assumed by Same Sky for its use, nor for any infringements of patents or other rights of third parties which may result from its use.

Same Sky products are not authorized or warranted for use as critical components in equipment that requires an extremely high level of reliability. A critical component is any component of a life support device or system whose failure to perform can be reasonably expected to cause the failure of the life support device or system, or to affect its safety or effectiveness.

[sameskydevices.com](https://www.sameskydevices.com)

Mouser Electronics

Authorized Distributor

Click to View Pricing, Inventory, Delivery & Lifecycle Information:

[Same Sky:](#)

[SJ-3571N](#)