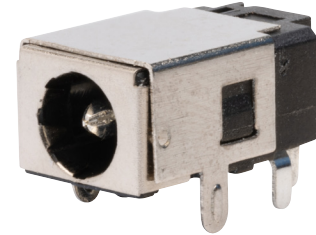




**MODEL:** PJ-086H | **DESCRIPTION:** DC POWER JACK

**FEATURES**

- 1.65 mm center pin
- 5 A rating
- shielded
- through hole
- 1 switch

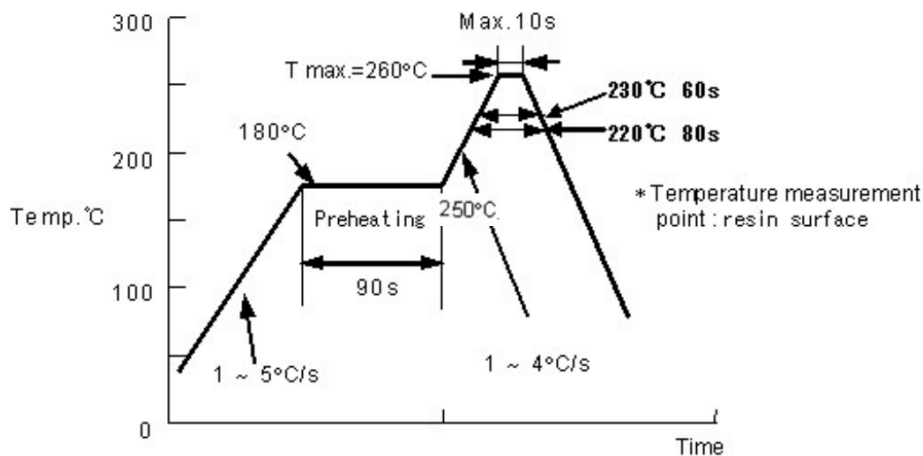


**SPECIFICATIONS**

parameter	conditions/description	min	typ	max	units
rated input voltage			24		Vdc
rated input current				5.0	A
contact resistance	between terminal and mating plug between terminal in a closed circuit			50 30	mΩ mΩ
insulation resistance		100			MΩ
voltage withstand	for 1 minute			500	Vac
insertion/withdrawal force		0.3		3	kg
operating temperature		-25		85	°C
life			5,000		cycles
flammability rating	UL94V-0				
RoHS	yes				

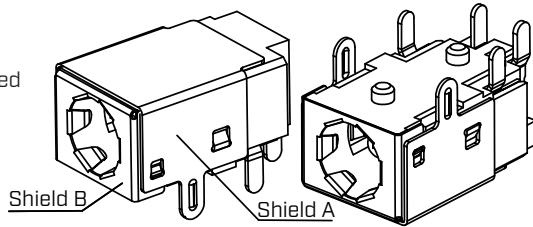
**SOLDERABILITY**

parameter	conditions/description	min	typ	max	units
reel storage	5~35°C, <75% humidity				°C
reflow soldering	see reflow profile			260	°C
drying conditions	bake at 120°C for 4 hours				

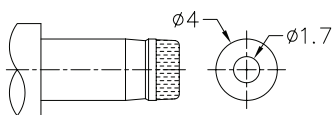
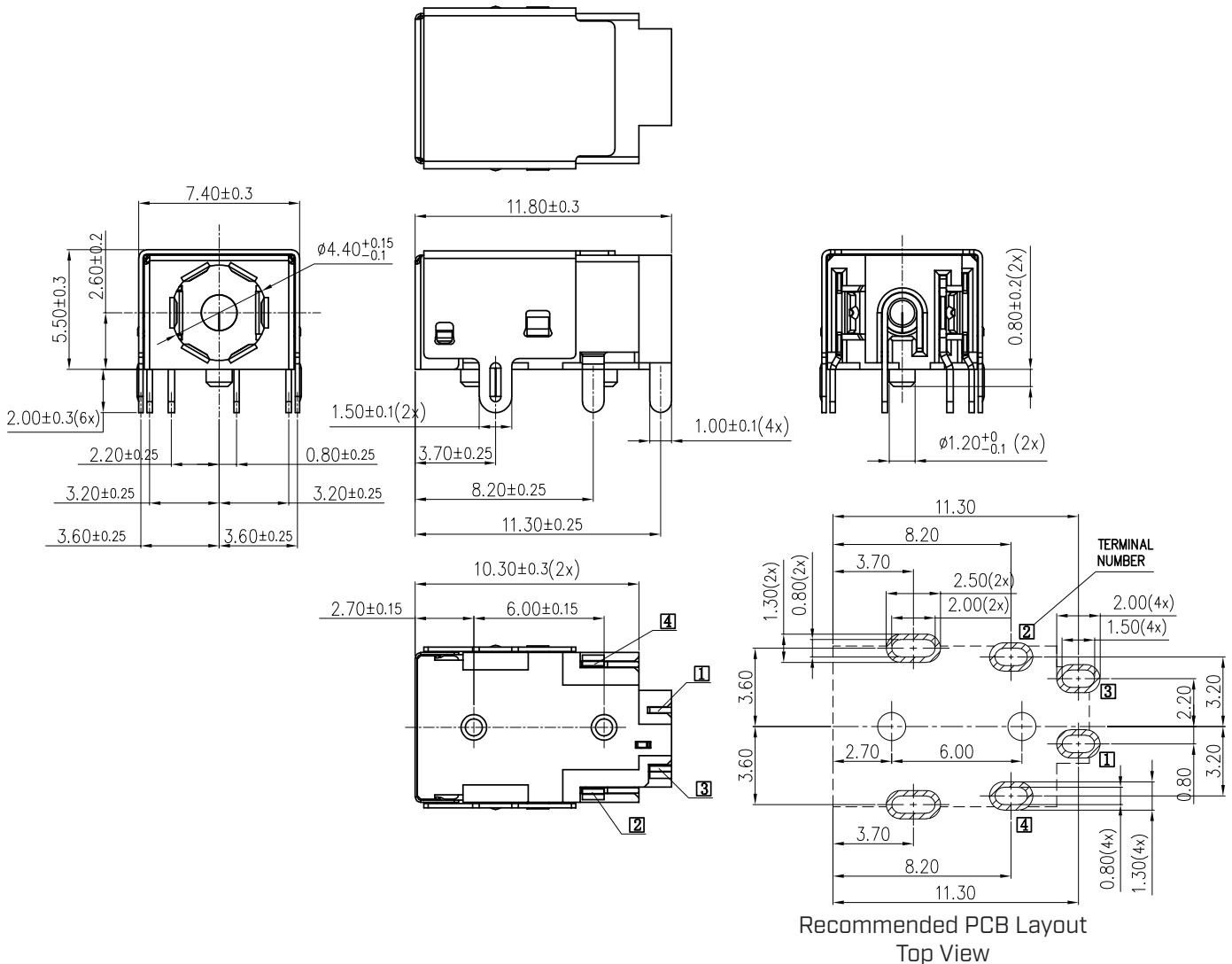


## MECHANICAL DRAWING

units: mm  
 tolerance:  
 X.X ±0.30 mm  
 X.XX ±0.20 mm  
 X.XXX ±0.10 mm  
 PCB: ±0.05 mm  
 unless otherwise specified



DESCRIPTION	MATERIAL	PLATING/COLOR
center pin	brass	silver
terminal 1	brass	silver
terminal 2	copper alloy	silver
terminal 3	brass	silver
terminal 4	copper alloy	silver
shield A	brass	nickel
shield B	stainless steel	---
housing	PA10T (UL94V-0)	black



MATING PLUG  
 Jack Insertion Depth: 8.2 mm

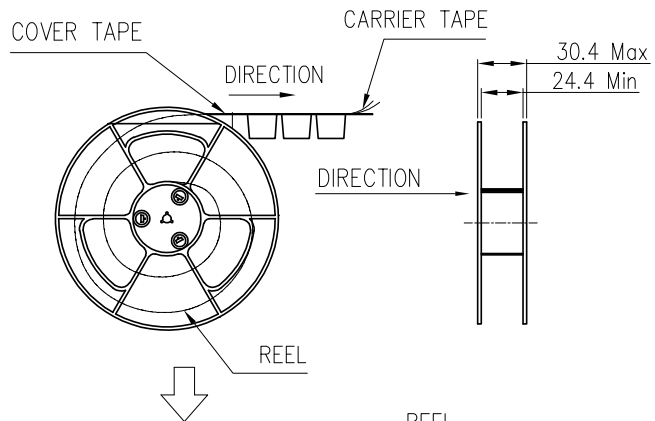
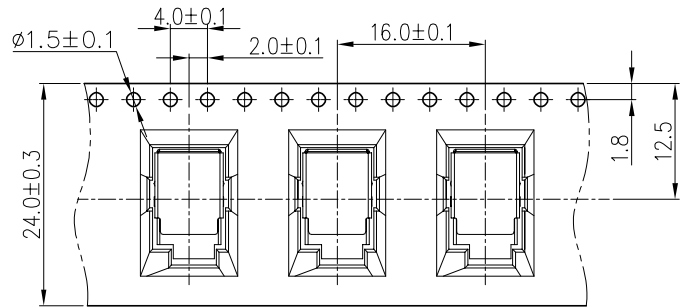
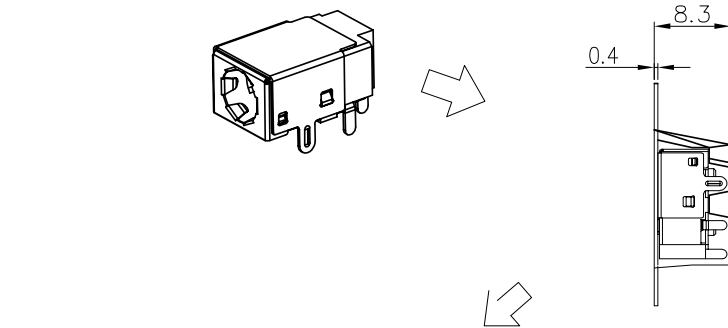
SCHEMATIC	
Model	PJ-086H
Center Pin	Ø1.65 mm

## PACKAGING

units: mm

Reel Size:  $\varnothing 330$  mm

Reel QTY: 500 pcs per reel

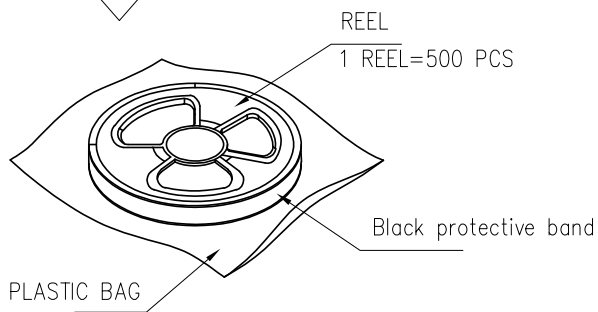
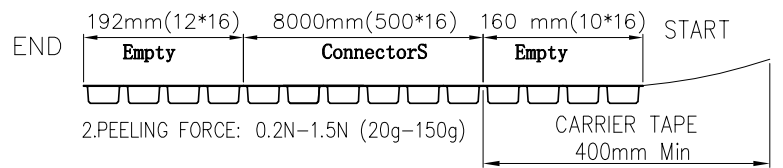


NOTE:

1.CARRIER TAPE PACKING LENGTH

GATHER MATERIAL DIRECTION

INPUT MATERIAL DIRECTION



## REVISION HISTORY

rev.	description	date
1.0	initial release	12/13/2018
1.01	brand update	10/25/2019
1.02	logo, datasheet style update	08/05/2022
1.03	updated datasheet	06/01/2023
1.04	CUI Devices rebranded to Same Sky	09/12/2024
1.05	product reengineered for improved manufacturability and production yield, see PCN for details	10/08/2024

The revision history provided is for informational purposes only and is believed to be accurate.



Same Sky offers a one (1) year limited warranty. Complete warranty information is listed on our website.

Same Sky reserves the right to make changes to the product at any time without notice. Information provided by Same Sky is believed to be accurate and reliable. However, no responsibility is assumed by Same Sky for its use, nor for any infringements of patents or other rights of third parties which may result from its use.

Same Sky products are not authorized or warranted for use as critical components in equipment that requires an extremely high level of reliability. A critical component is any component of a life support device or system whose failure to perform can be reasonably expected to cause the failure of the life support device or system, or to affect its safety or effectiveness.

[sameskydevices.com](https://www.sameskydevices.com)

# Mouser Electronics

Authorized Distributor

Click to View Pricing, Inventory, Delivery & Lifecycle Information:

[Same Sky:](#)

[PJ-086H](#)