

**MODEL:** CSS-12048-208 | **DESCRIPTION:** SPEAKER**FEATURES**

- 10 W rated power
- 8 ohm rated impedance
- 90 dB at 1 W

**SPECIFICATIONS**

parameter	conditions/description	min	typ	max	units
input power			10.0	15.0	W
impedance	at 1.0 kHz, 1.0 V	6.8	8	9.2	$\Omega$
resonant frequency (Fo)	at 1.0 V	80	100	120	Hz
frequency response		Fo		20,000	Hz
sound pressure level	at 1.0 W, 50 cm, at 1.0 kHz in baffleboard	87	90	93	dB
	at 10.0 W, 50 cm, at 1.0 kHz in baffleboard	96	99	102	dB
distortion	at 1.0 kHz, 1 W, 50 cm			8	%
buzz, rattle, etc.	must be normal at sine wave, frequency range between Fo-10 kHz			12.60	V
polarity	cone moves forward w/ positive dc current to "+" terminal				
dimensions	$\varnothing 119 \times 47.5$				mm
magnet	ferrite				
frame material	SPCC				
cone material	paper				
terminal	solder terminals				
weight		265	290	315	g
operating temperature		-20		60	$^{\circ}\text{C}$
storage temperature		-25		70	$^{\circ}\text{C}$
hand soldering	for maximum 3 seconds			380	$^{\circ}\text{C}$
RoHS	yes				

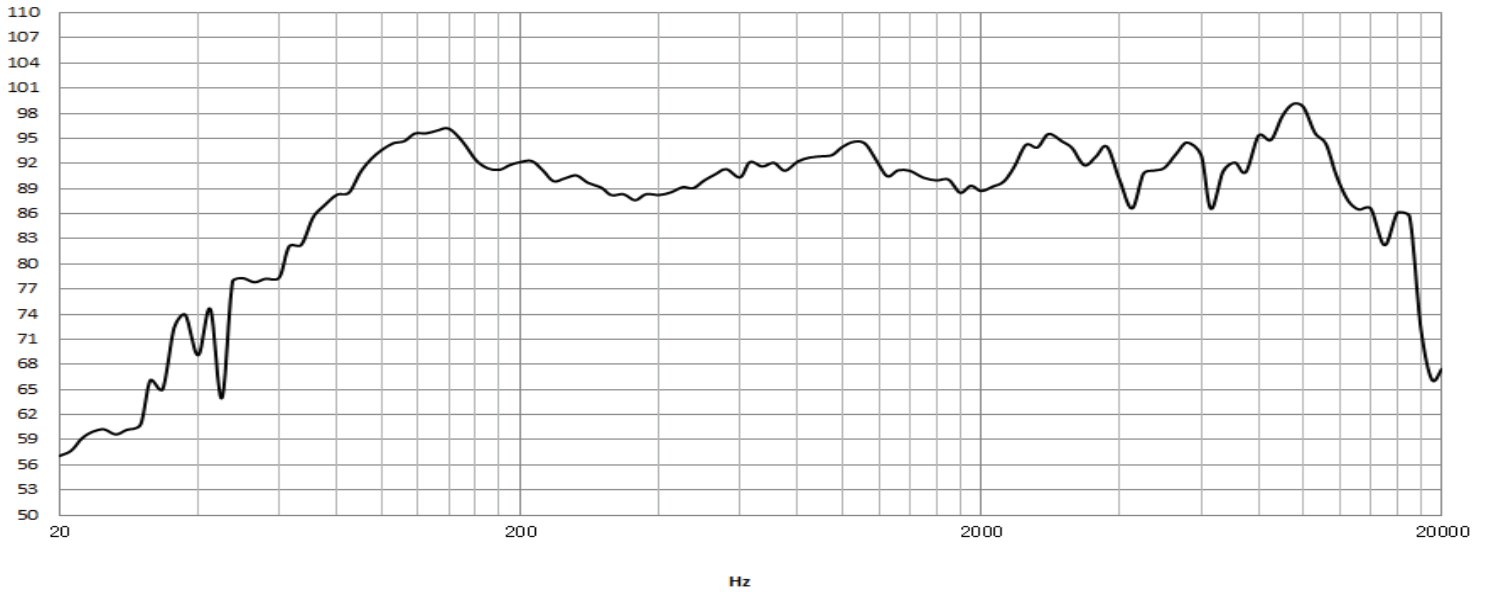
Notes: 1. All specifications measured at 15-35 $^{\circ}\text{C}$ , humidity at 45-85%, under 86-106 kPa pressure, unless otherwise noted.



## RESPONSE CURVES

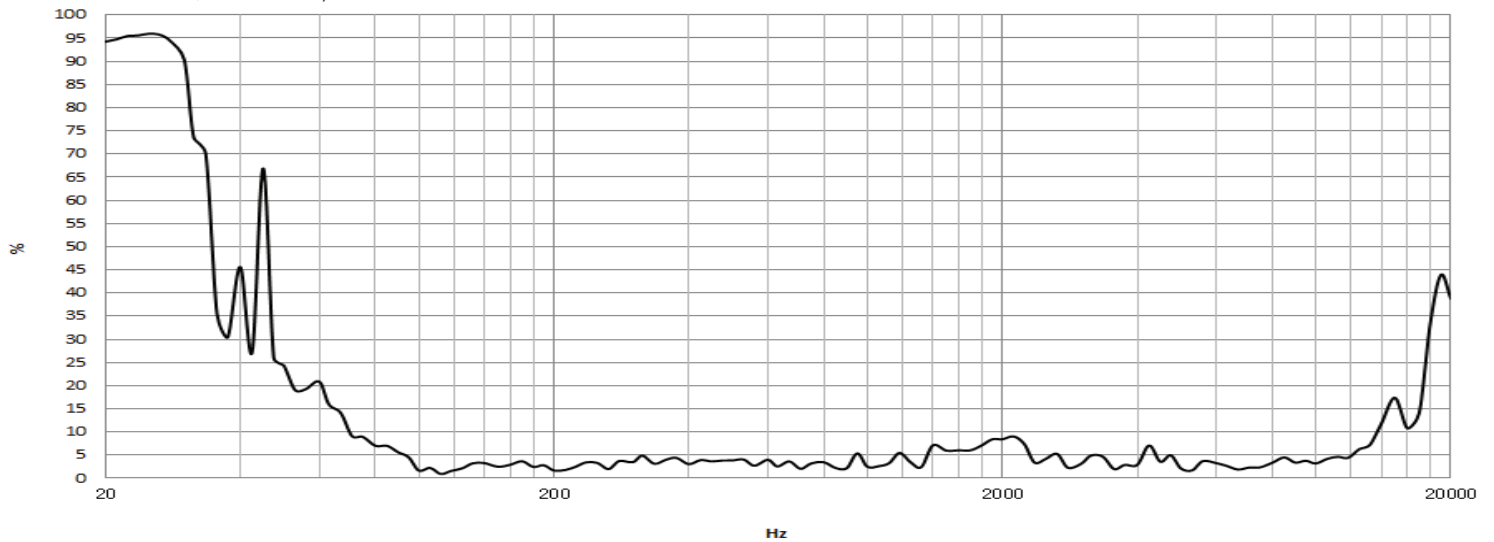
### Frequency Response Curve

Test Conditions: 1.0 W / 50 cm



### Total Harmonic Distortion Curve

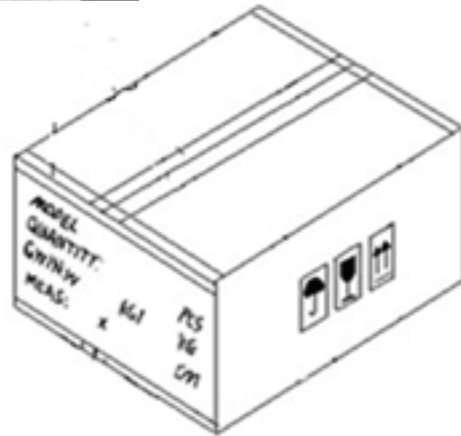
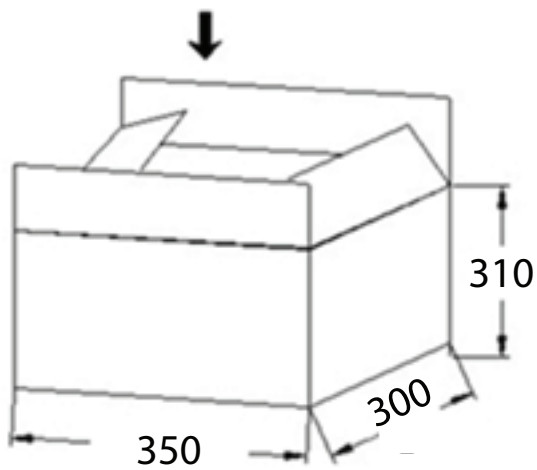
Test Conditions: 1.0 W / 50 cm



## PACKAGING

units: mm

Carton Size: 350 x 300 x 310 mm  
Carton QTY: 30 pcs per carton



## REVISION HISTORY

rev.	description	date
1.0	initial release	07/16/2020
1.01	logo, datasheet style update	08/05/2022
1.02	CUI Devices rebranded to Same Sky	09/11/2024

The revision history provided is for informational purposes only and is believed to be accurate.



Same Sky offers a one (1) year limited warranty. Complete warranty information is listed on our website.

Same Sky reserves the right to make changes to the product at any time without notice. Information provided by Same Sky is believed to be accurate and reliable. However, no responsibility is assumed by Same Sky for its use, nor for any infringements of patents or other rights of third parties which may result from its use.

Same Sky products are not authorized or warranted for use as critical components in equipment that requires an extremely high level of reliability. A critical component is any component of a life support device or system whose failure to perform can be reasonably expected to cause the failure of the life support device or system, or to affect its safety or effectiveness.

[sameskydevices.com](https://www.sameskydevices.com)

# Mouser Electronics

Authorized Distributor

Click to View Pricing, Inventory, Delivery & Lifecycle Information:

[Same Sky:](#)

[CSS-12048-208](#)