


SERIES: CMS-3116-24XX | **DESCRIPTION:** SPEAKER

FEATURES

- double magnet design
- 4 ohm
- 90 dB at 10 cm


SPECIFICATIONS

parameter	conditions/description	min	typ	max	units
input power			2.0	2.5	W
impedance	at 2 kHz, 1.0 V	3.4	4	4.6	Ω
resonant frequency [Fo]	at 1.0 V	192	240	288	Hz
frequency response		Fo		10,000	Hz
sound pressure level	at 0.89 V, 10 cm, avg at 1.0, 1.2, 1.5, 2.0 kHz	87	90	93	dB
distortion	at 1.0 kHz, 2.0 W (standard baffle)			15	%
buzz, rattle, etc.	must be normal at sine wave between Fo ~ 10 kHz			2.83	V
polarity	cone moves forward w/ positive dc current to "+" terminal				
dimensions	\varnothing 31 x 16.8				mm
magnet	Nd-Fe-B				
frame material	SPCC				
cone material	PU + paper				
weight			14.6		g
operating temperature		-20		55	$^{\circ}$ C
storage temperature		-20		55	$^{\circ}$ C
hand soldering	for 3~5 seconds	370	380	390	$^{\circ}$ C
RoHS	yes				

Notes: 1. All specifications measured at 15-35 $^{\circ}$ C, humidity at 25-75%, 86-106 kPa, unless otherwise noted.

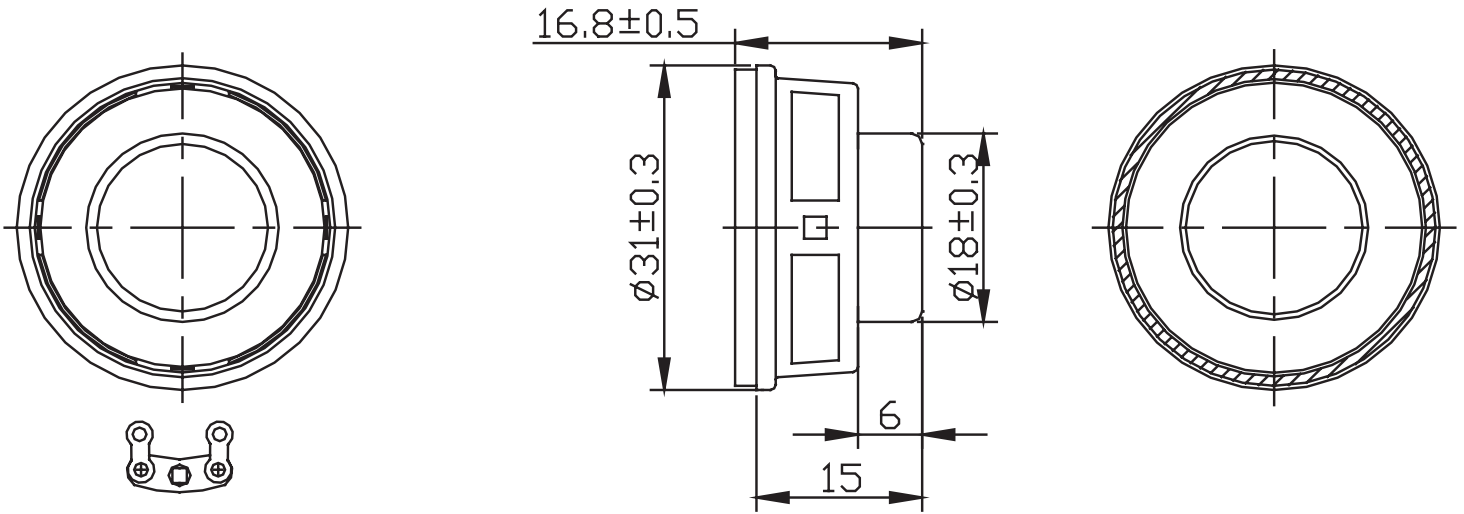
PART NUMBER KEY
CMS - 3116 - 24 XX

Base Number

 Termination Options:
 SP = solder terminals
 L100 = wire leads

MECHANICAL DRAWING (SOLDER TERMINALS)

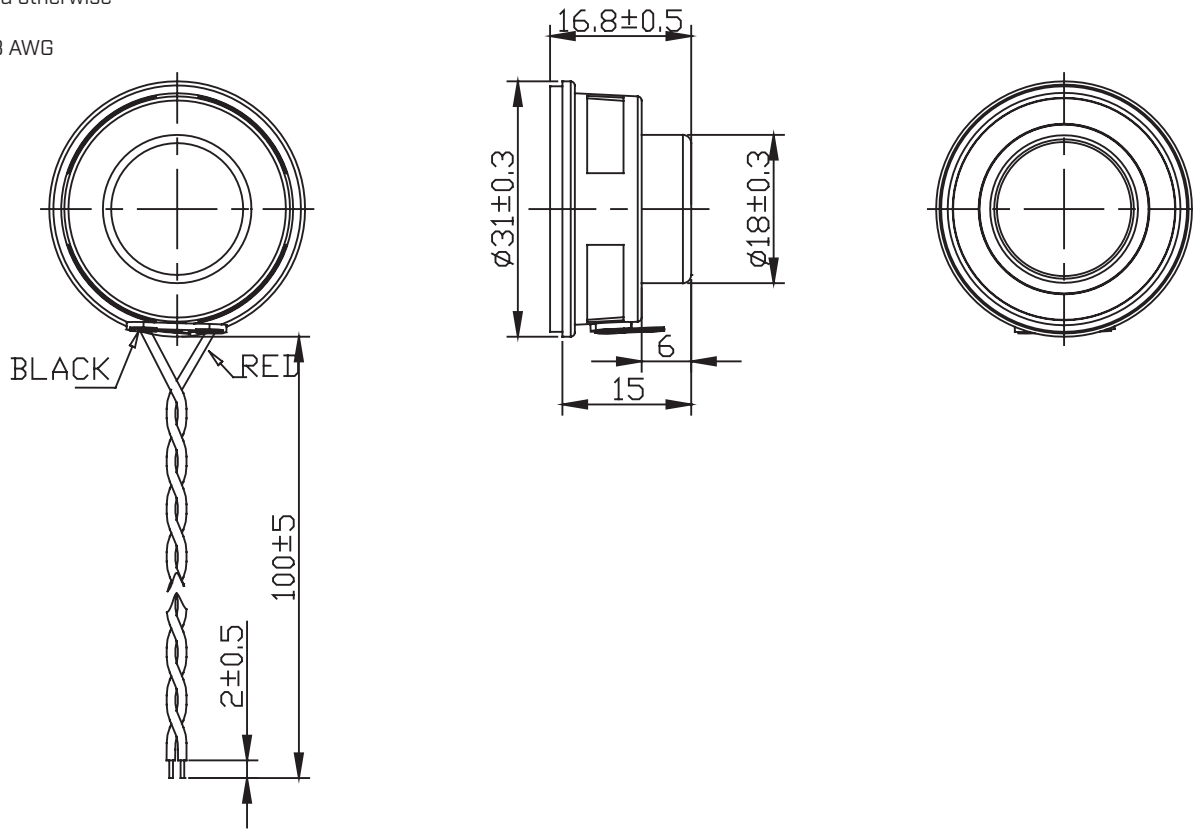
units: mm
tolerance: ± 0.5 mm
unless specified otherwise



MECHANICAL DRAWING (WIRE LEADS)

units: mm
tolerance: ± 0.5 mm
unless specified otherwise

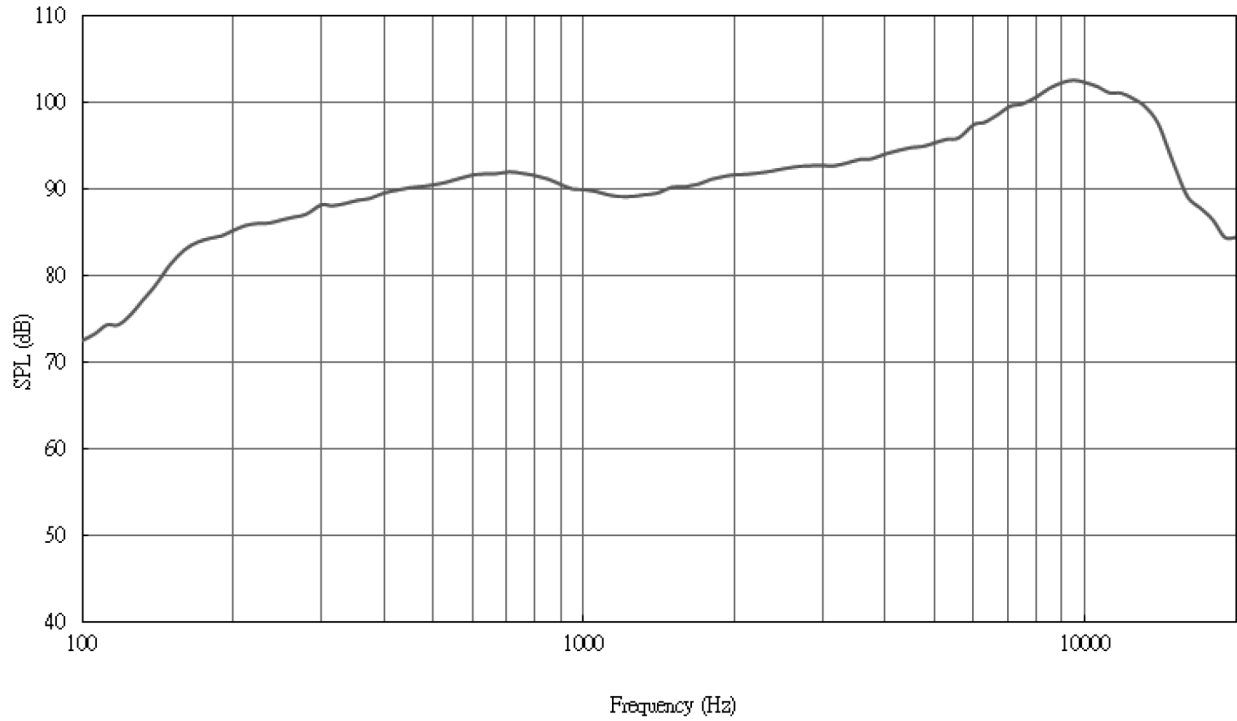
wire: UL1571 28 AWG



RESPONSE CURVES

Frequency Response Curve

Test Conditions: 0.89 V / 10 cm



REVISION HISTORY

rev.	description	date
1.0	initial release	7/11/2023
1.01	CUI Devices rebranded to Same Sky	09/11/2024

The revision history provided is for informational purposes only and is believed to be accurate.



Same Sky offers a one (1) year limited warranty. Complete warranty information is listed on our website.

Same Sky reserves the right to make changes to the product at any time without notice. Information provided by Same Sky is believed to be accurate and reliable. However, no responsibility is assumed by Same Sky for its use, nor for any infringements of patents or other rights of third parties which may result from its use.

Same Sky products are not authorized or warranted for use as critical components in equipment that requires an extremely high level of reliability. A critical component is any component of a life support device or system whose failure to perform can be reasonably expected to cause the failure of the life support device or system, or to affect its safety or effectiveness.

[sameskydevices.com](https://www.sameskydevices.com)

Mouser Electronics

Authorized Distributor

Click to View Pricing, Inventory, Delivery & Lifecycle Information:

[Same Sky:](#)

[CMS-3116-24L100](#) [CMS-3116-24SP](#)