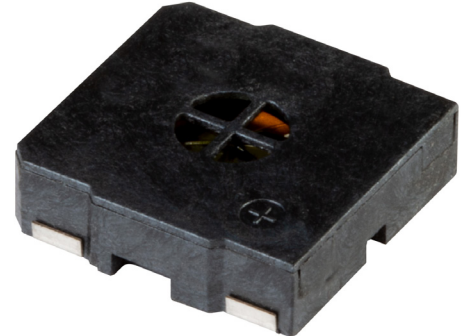


MODEL: CMS-151504-SMT-TR | **DESCRIPTION:** SPEAKER**FEATURES**

- surface mount speaker
- reflow solder capable
- low profile

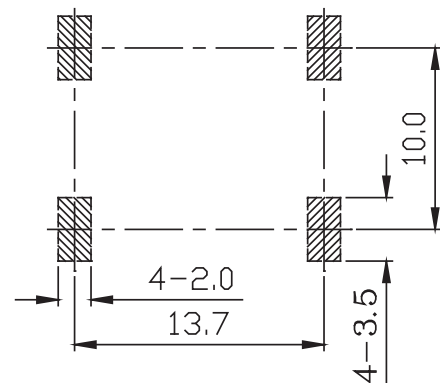
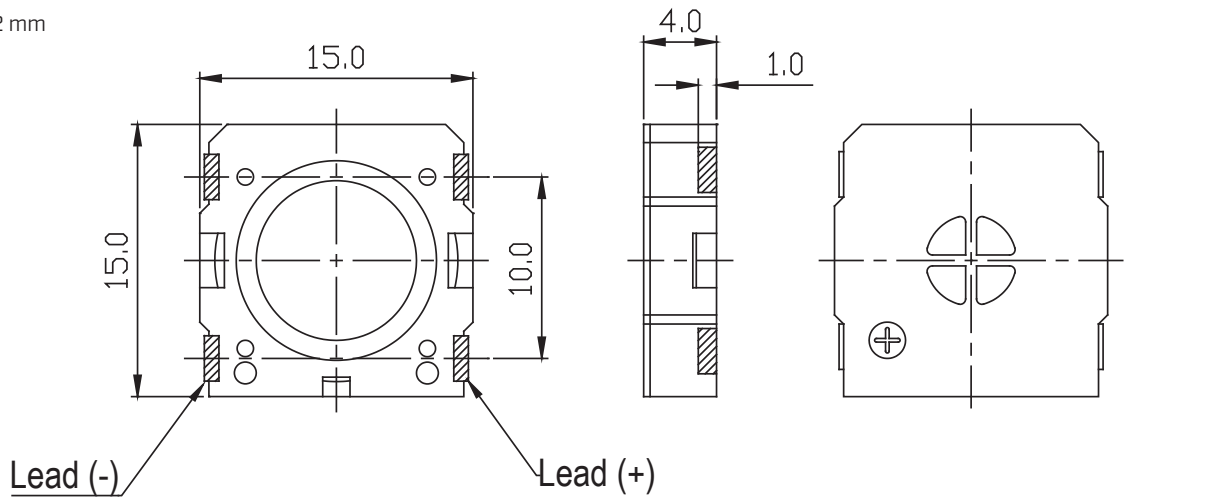
**SPECIFICATIONS**

parameter	conditions/description	min	typ	max	units
input power	max power: 1 minute on, 2 minutes off, 10 cycles		0.5	0.8	W
impedance	at 1.0 kHz, 1.0 V	6.8	8	9.2	Ω
resonant frequency (Fo)	at 1.0 V	722.5	850	977.5	Hz
frequency response		Fo		20,000	Hz
sound pressure level	at 0.5 W, 0.1 m, avg at 1.0, 1.2, 1.5, 2.0 kHz	85	88	91	dB
distortion	at 2.0 kHz, 0.5 W			10	%
buzz, rattle, etc.	must be normal at sine wave, Fo Hz~5 kHz			2.0	V
polarity	cone moves forward w/ positive dc current to "+" terminal				
dimensions	15 x 15 x 4				mm
magnet	SmCo				
frame material	LCP				
cone material	PI				
terminal	surface mount				
weight			1.5		g
operating temperature		-20		70	$^{\circ}\text{C}$
storage temperature		-20		70	$^{\circ}\text{C}$
RoHS	yes				

Notes: 1. All specifications measured at 15-35 $^{\circ}\text{C}$, humidity at 45-85%, under 86-106 kPa pressure, unless otherwise noted.

MECHANICAL DRAWING

units: mm
tolerance: ± 0.2 mm

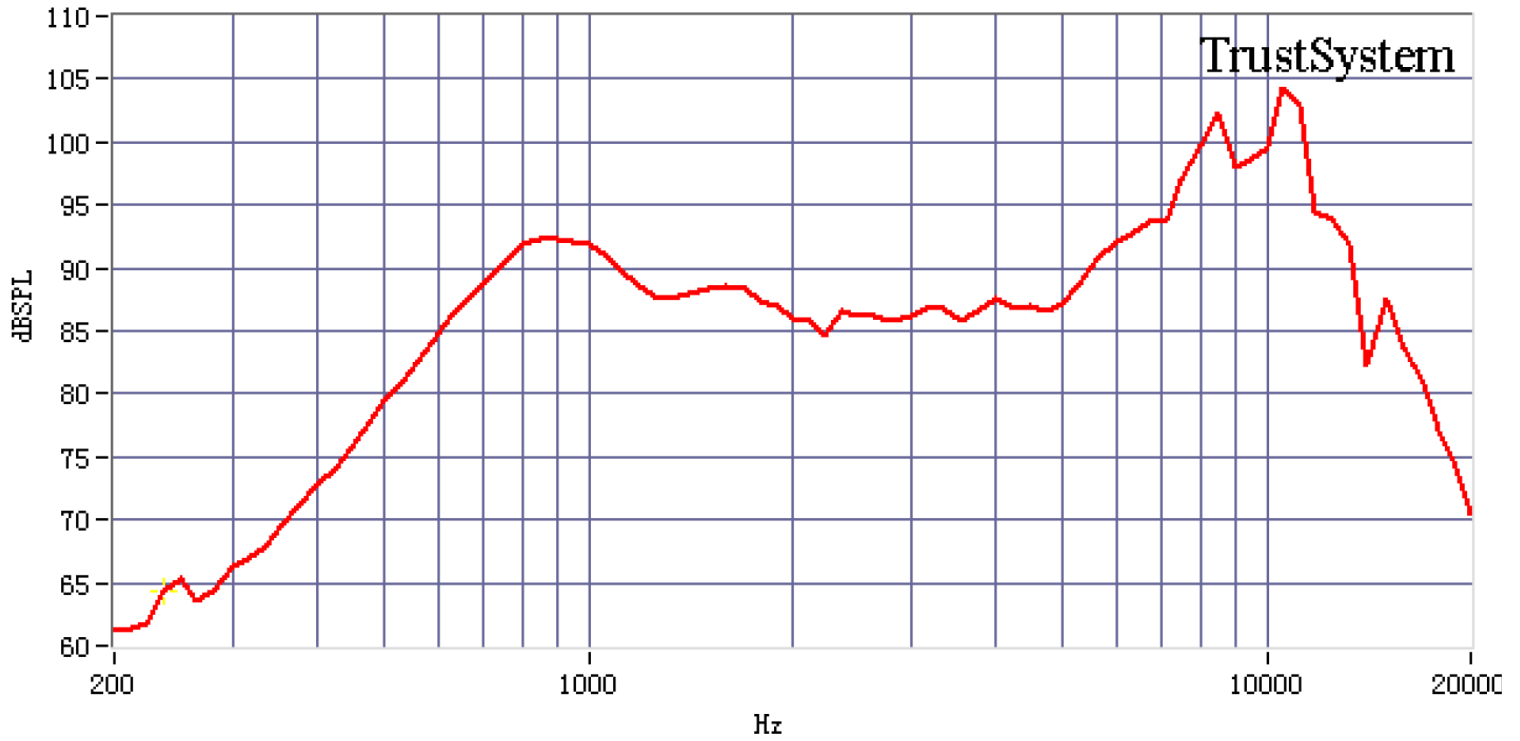


Recommended PCB Layout
Top View

RESPONSE CURVES

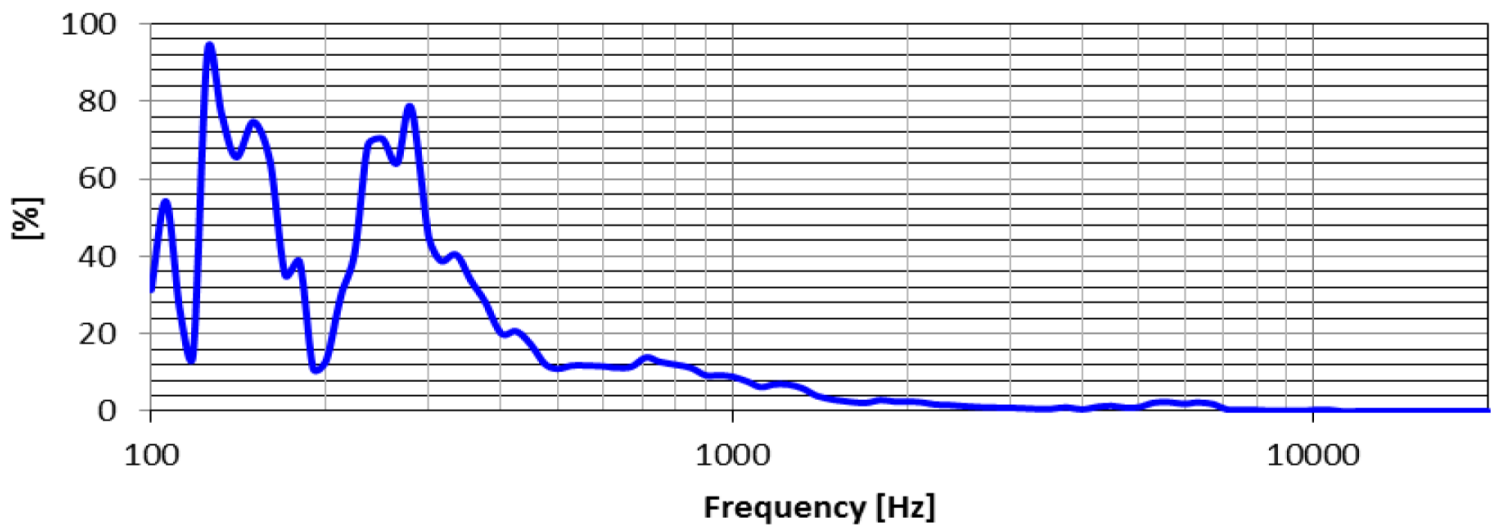
Frequency Response Curve

Test Conditions: 0.5 W / 0.1 m



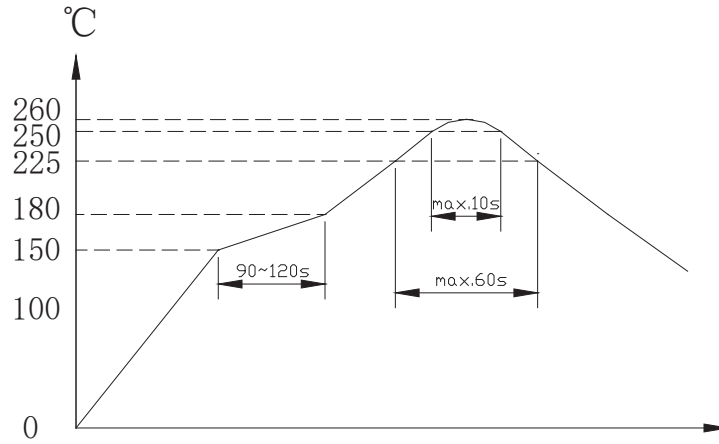
Total Harmonic Distortion Curve

Test Conditions: 0.5 W / 0.1 m



SOLDERABILITY

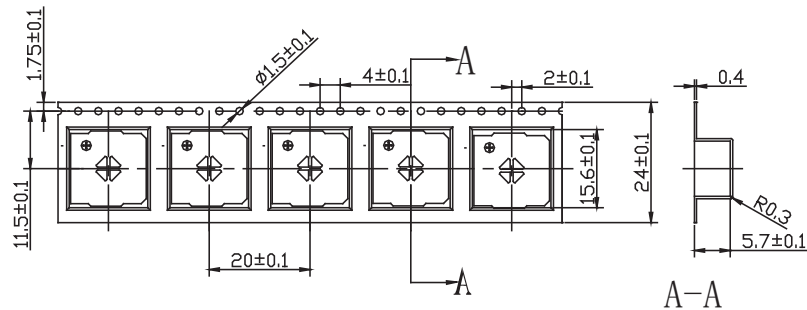
parameter	conditions/description	min	typ	max	units
hand soldering	for 3~5 seconds	370	380	390	°C
reflow soldering	see reflow profile	255	260	265	°C



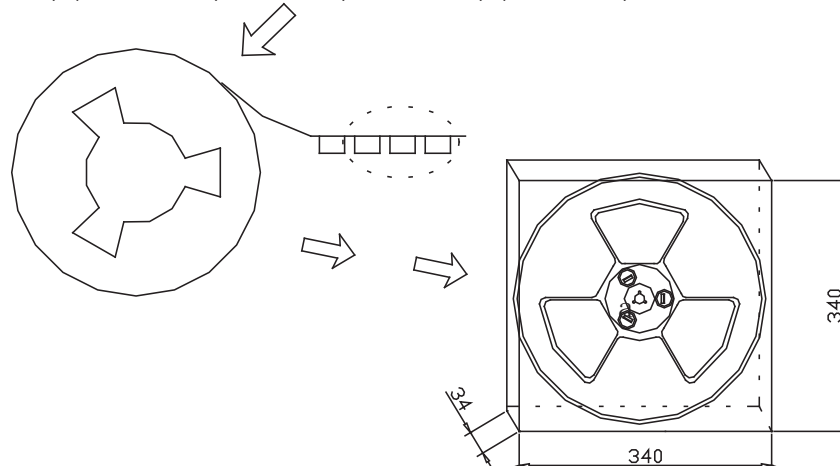
PACKAGING

parameter	conditions/description	min	typ	max	units
reel storage	≤30°C, ≤60% humidity				
MSL	Class 2a				
drying conditions	bake at 60°C, ≤5% RH for 48 hours				
reel size	Ø330 mm max				
reel QTY	600 pcs per reel				

Note: 2. CUI Devices recommends to mount within 4 weeks of opening bag at ≤30°C, ≤60% humidity.



8 positions empty before components, 12 positions empty after components



REVISION HISTORY

rev.	description	date
1.0	initial release	12/12/2023
1.01	CUI Devices rebranded to Same Sky	09/11/2024

The revision history provided is for informational purposes only and is believed to be accurate.



Same Sky offers a one (1) year limited warranty. Complete warranty information is listed on our website.

Same Sky reserves the right to make changes to the product at any time without notice. Information provided by Same Sky is believed to be accurate and reliable. However, no responsibility is assumed by Same Sky for its use, nor for any infringements of patents or other rights of third parties which may result from its use.

Same Sky products are not authorized or warranted for use as critical components in equipment that requires an extremely high level of reliability. A critical component is any component of a life support device or system whose failure to perform can be reasonably expected to cause the failure of the life support device or system, or to affect its safety or effectiveness.

[sameskydevices.com](https://www.sameskydevices.com)

Mouser Electronics

Authorized Distributor

Click to View Pricing, Inventory, Delivery & Lifecycle Information:

[Same Sky:](#)

[CMS-151504-SMT-TR](#)