


MODEL: CDS-5715-254SP-X5 | **DESCRIPTION:** SPEAKER

FEATURES

- IPX5 rated
- rated 2.5 W
- 4 Ω

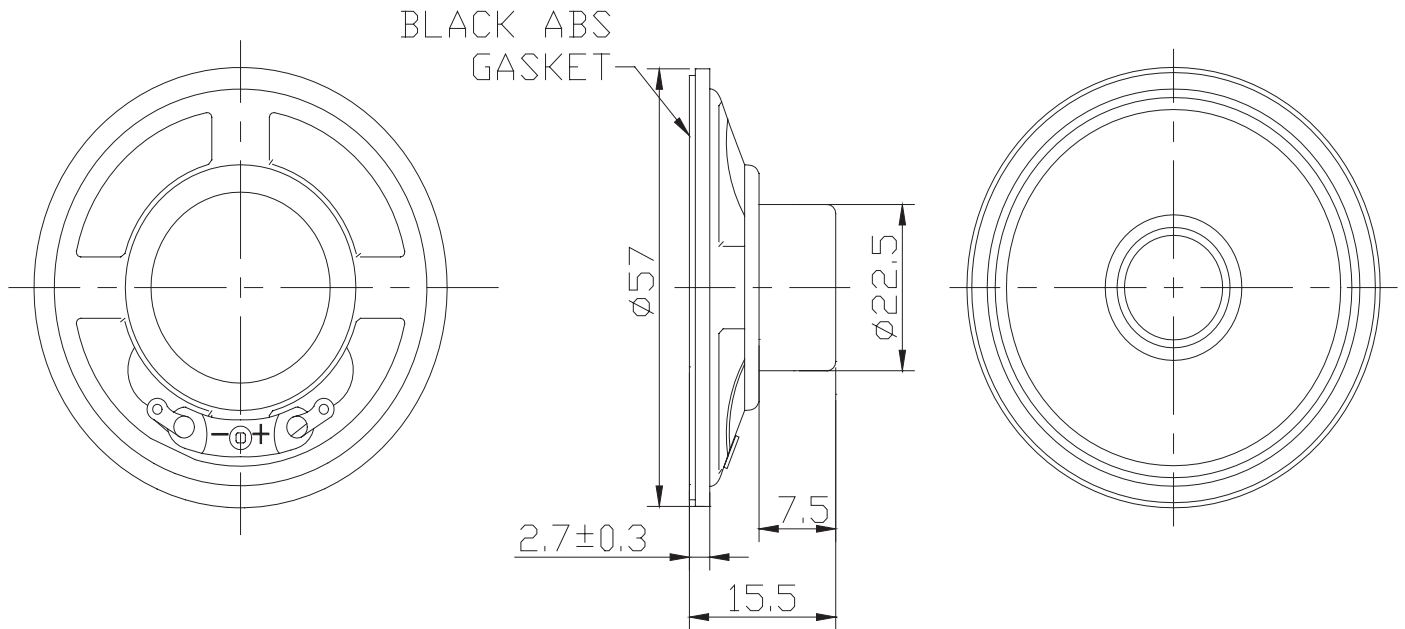

SPECIFICATIONS

| parameter | conditions/description | min | typ | max | units |
|-------------------------|---|------|-----|-------|--------------------|
| input power | max power: as per IEC-268-5 | | 2.5 | 3.0 | W |
| impedance | at 1 kHz, 2 V | 3.4 | 4 | 4.6 | Ω |
| coil resistance | | 3.33 | 3.7 | 4.07 | Ω |
| resonant frequency [Fo] | at 2 V | 384 | 480 | 576 | Hz |
| frequency response | | Fo | | 4,500 | Hz |
| sound pressure level | at 2 W, 10 cm, avg 0.8, 1.0, 1.18, 1.5 kHz | 104 | 107 | 110 | dB |
| distortion | at 1 kHz, 1 W, 10 cm | | | 5 | % |
| buzz, rattle, etc. | must be normal at sine wave, Fo~4.5 kHz | | | 3.16 | V |
| polarity | cone moves forward w/ positive dc current to "+" terminal | | | | |
| dimensions | $\varnothing 57 \times 15.5$ | | | | mm |
| magnet | Nd-Fe-B | | | | |
| frame material | SPCC (black) | | | | |
| cone material | PET (black) | | | | |
| terminal | solder eyelets | | | | |
| weight | | | 30 | | g |
| operating temperature | | -40 | | 66 | $^{\circ}\text{C}$ |
| storage temperature | | -40 | | 70 | $^{\circ}\text{C}$ |
| hand soldering | for maximum 3 seconds | | | 380 | $^{\circ}\text{C}$ |
| RoHS | yes | | | | |
| IP level | IPX5 (front side) | | | | |

Notes: 1. All specifications measured at 15-35 $^{\circ}\text{C}$, humidity at 45-85%, under 86-106 kPa pressure, unless otherwise noted.

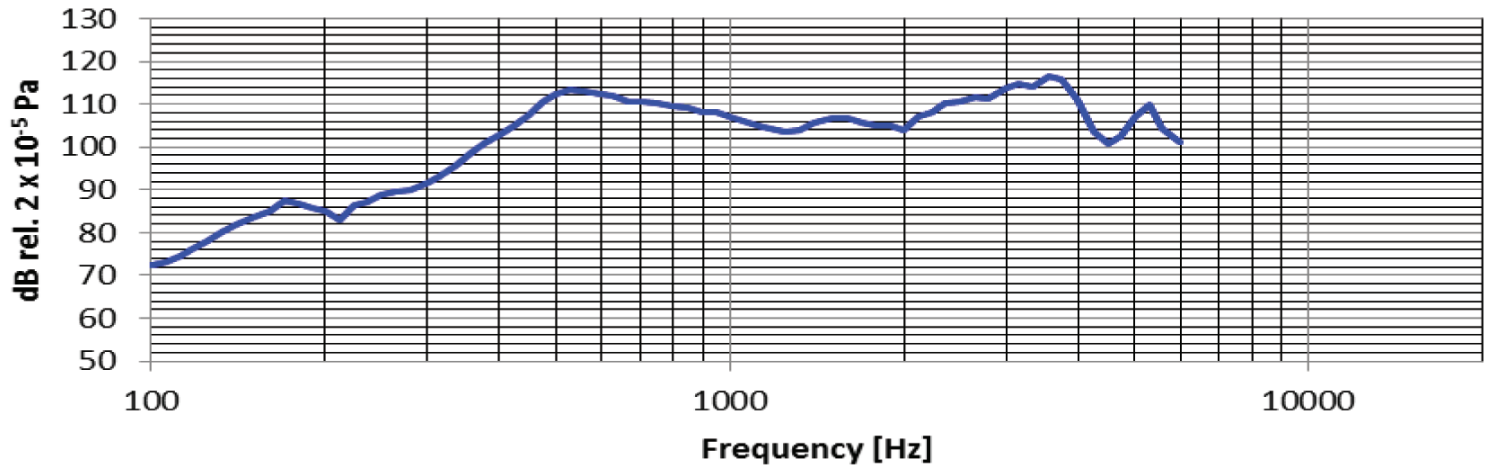
MECHANICAL DRAWING

units: mm
tolerance: ± 0.5 mm

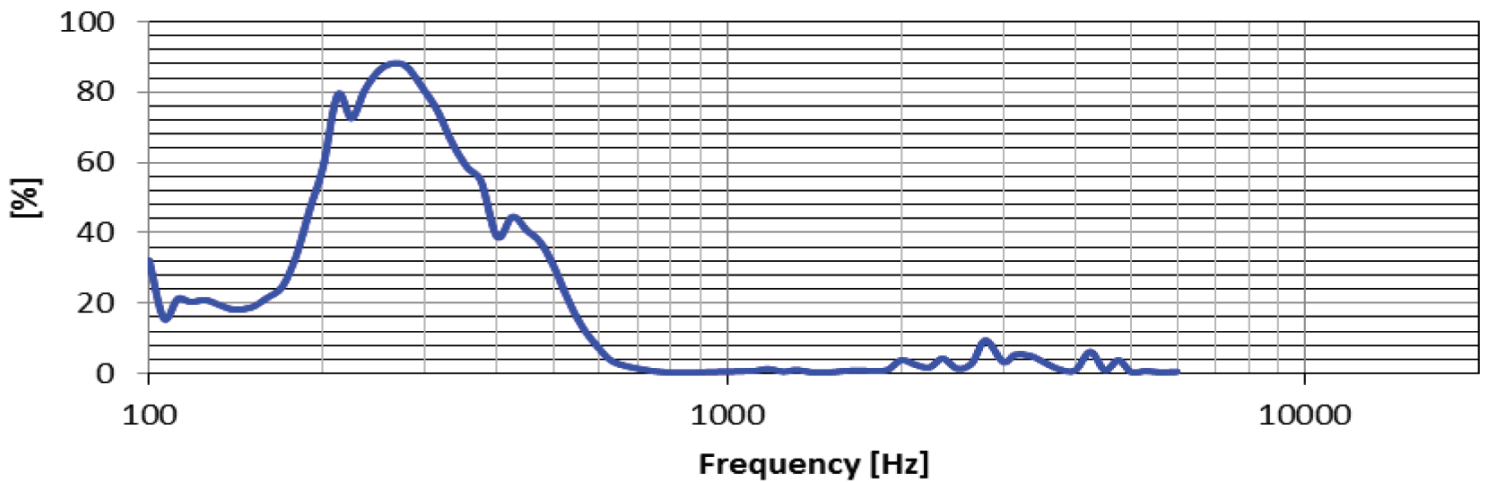


RESPONSE CURVES

Frequency Response Curve



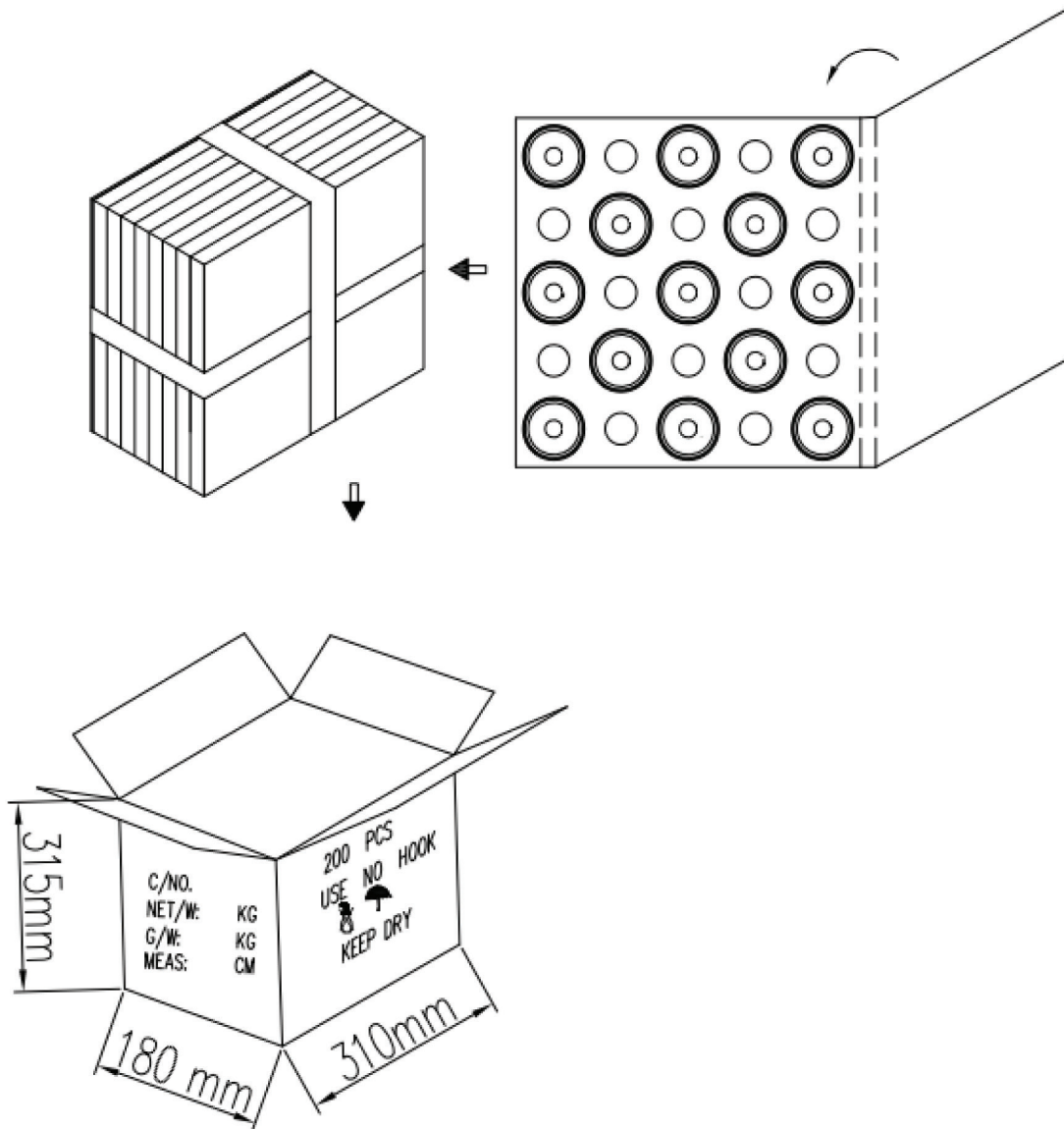
Total Harmonic Distortion Curve



PACKAGING

units: mm

Tray QTY: 25 pcs per tray
Carton Size: 310 x 180 x 315 mm
Carton QTY: 200 pcs per carton



REVISION HISTORY

| rev. | description | date |
|------|-----------------------------------|------------|
| 1.0 | initial release | 03/22/2023 |
| 1.01 | CUI Devices rebranded to Same Sky | 09/11/2024 |

The revision history provided is for informational purposes only and is believed to be accurate.



Same Sky offers a one (1) year limited warranty. Complete warranty information is listed on our website.

Same Sky reserves the right to make changes to the product at any time without notice. Information provided by Same Sky is believed to be accurate and reliable. However, no responsibility is assumed by Same Sky for its use, nor for any infringements of patents or other rights of third parties which may result from its use.

Same Sky products are not authorized or warranted for use as critical components in equipment that requires an extremely high level of reliability. A critical component is any component of a life support device or system whose failure to perform can be reasonably expected to cause the failure of the life support device or system, or to affect its safety or effectiveness.

[sameskydevices.com](https://www.sameskydevices.com)

Mouser Electronics

Authorized Distributor

Click to View Pricing, Inventory, Delivery & Lifecycle Information:

[Same Sky:](#)

[CDS-5715-254SP-X5](#)