

MODEL: CDS-4051-32-SP | **DESCRIPTION:** SPEAKER**FEATURES**

- 32 Ohm
- rated 0.25 W
- solder pads

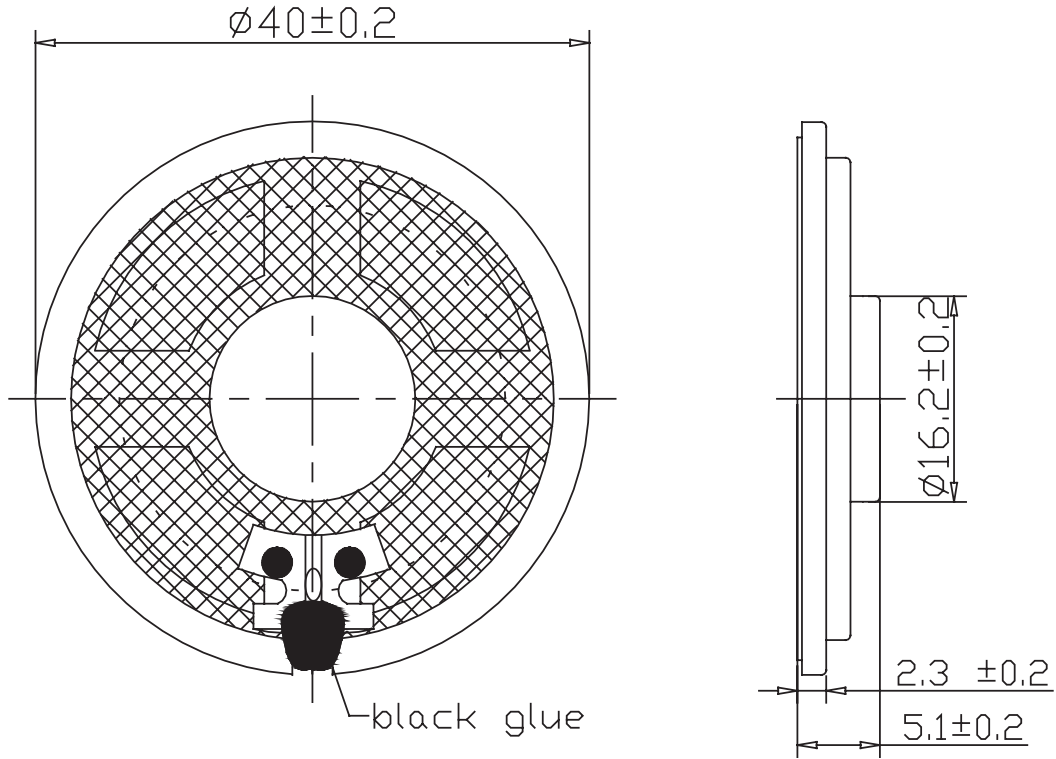
**SPECIFICATIONS**

| parameter | conditions/description | min | typ | max | units |
|-------------------------|---|------|------|-------|--------------|
| input power | max power: 1 minute on, 2 minutes off, 10 cycles | | 0.25 | 0.5 | W |
| impedance | at 2.0 kHz, 1.0 V | 27.2 | 32 | 36.8 | Ω |
| resonant frequency (Fo) | at 1.0 V | 480 | 600 | 720 | Hz |
| frequency response | | Fo | | 6,000 | Hz |
| sound pressure level | at 0.1 W, 0.1 m, avg at 0.8, 1.0, 1.2, 1.5 kHz in baffleboard | 89 | 92 | 95 | dB |
| distortion | at 1.0 kHz, rated power | | | 5 | % |
| buzz, rattle, etc. | must be normal at sine wave, between Fo ~ 6,000 Hz | | | 2.83 | V |
| polarity | cone moves forward w/ positive dc current to "+" terminal | | | | |
| dimensions | \varnothing 40 x 5.1 | | | | mm |
| magnet | Nd-Fe-B | | | | |
| frame material | SPCC | | | | |
| cone material | PET (black) | | | | |
| terminal | solder pads | | | | |
| weight | | | 9.2 | | g |
| operating temperature | | -30 | | 60 | $^{\circ}$ C |
| storage temperature | | -30 | | 70 | $^{\circ}$ C |
| hand soldering | for maximum 2 seconds | | | 380 | $^{\circ}$ C |
| RoHS | yes | | | | |

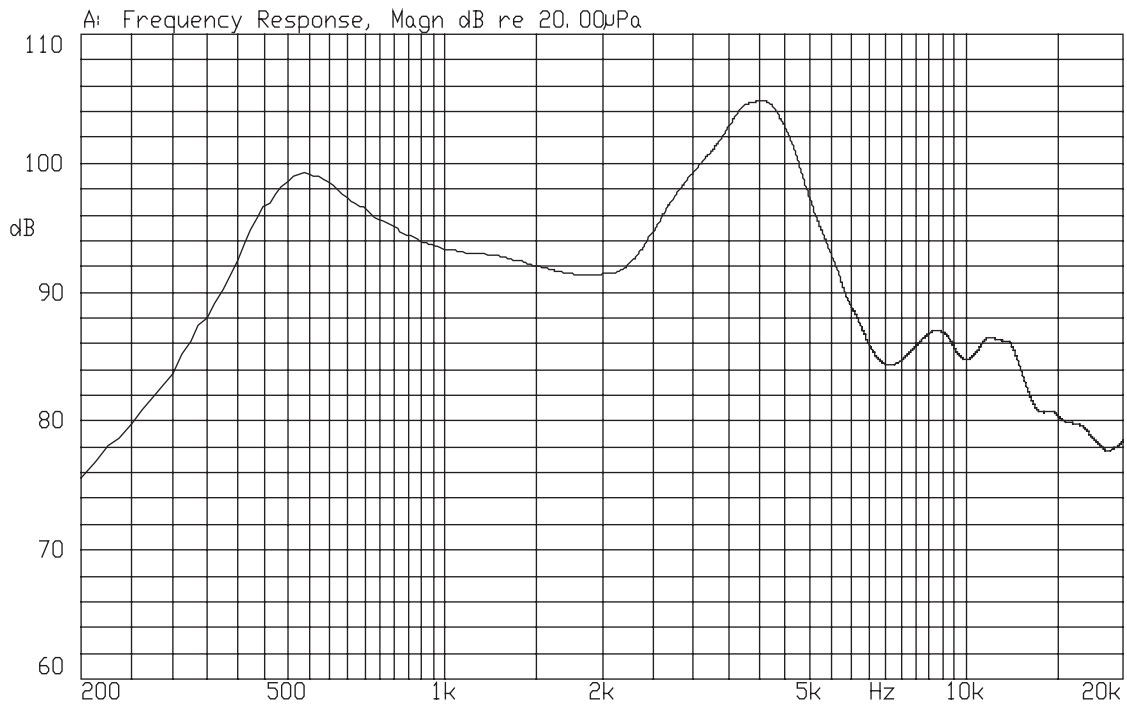
Notes: 1. All specifications measured at 15-35 $^{\circ}$ C, humidity at 45-85%, under 86-106 kPa pressure, unless otherwise noted.

MECHANICAL DRAWING

units: mm
tolerance: ± 0.3 mm



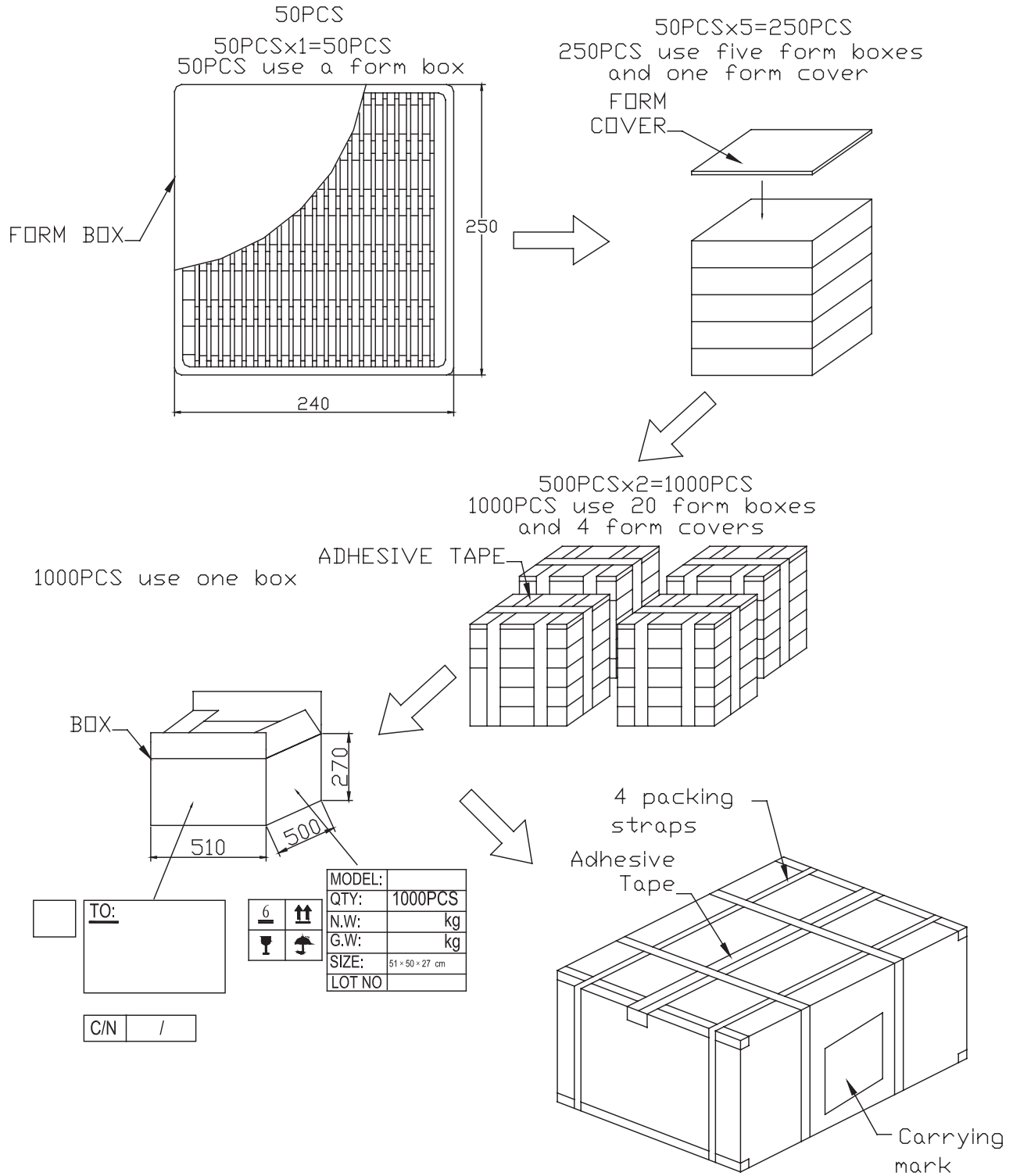
FREQUENCY RESPONSE CURVE



PACKAGING

units: mm

Tray Size: 250 x 240 mm
 Tray QTY: 50 pcs per tray
 Carton Size: 510 x 500 x 270 mm
 Carton QTY: 1,000 pcs per carton



REVISION HISTORY

| rev. | description | date |
|------|-----------------------------------|------------|
| 1.0 | initial release | 11/22/2021 |
| 1.01 | logo, datasheet style update | 08/05/2022 |
| 1.02 | CUI Devices rebranded to Same Sky | 09/11/2024 |

The revision history provided is for informational purposes only and is believed to be accurate.



Same Sky offers a one (1) year limited warranty. Complete warranty information is listed on our website.

Same Sky reserves the right to make changes to the product at any time without notice. Information provided by Same Sky is believed to be accurate and reliable. However, no responsibility is assumed by Same Sky for its use, nor for any infringements of patents or other rights of third parties which may result from its use.

Same Sky products are not authorized or warranted for use as critical components in equipment that requires an extremely high level of reliability. A critical component is any component of a life support device or system whose failure to perform can be reasonably expected to cause the failure of the life support device or system, or to affect its safety or effectiveness.

[sameskydevices.com](https://www.sameskydevices.com)

Mouser Electronics

Authorized Distributor

Click to View Pricing, Inventory, Delivery & Lifecycle Information:

[Same Sky:](#)

[CDS-4051-32-SP](#)