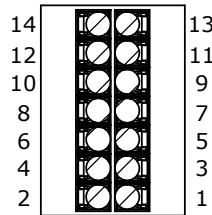
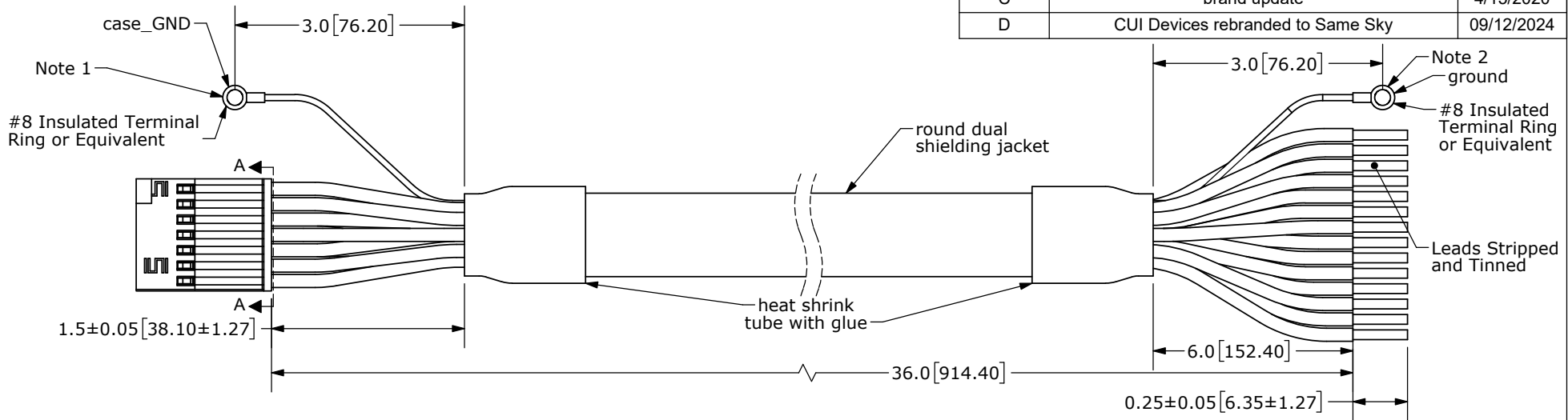
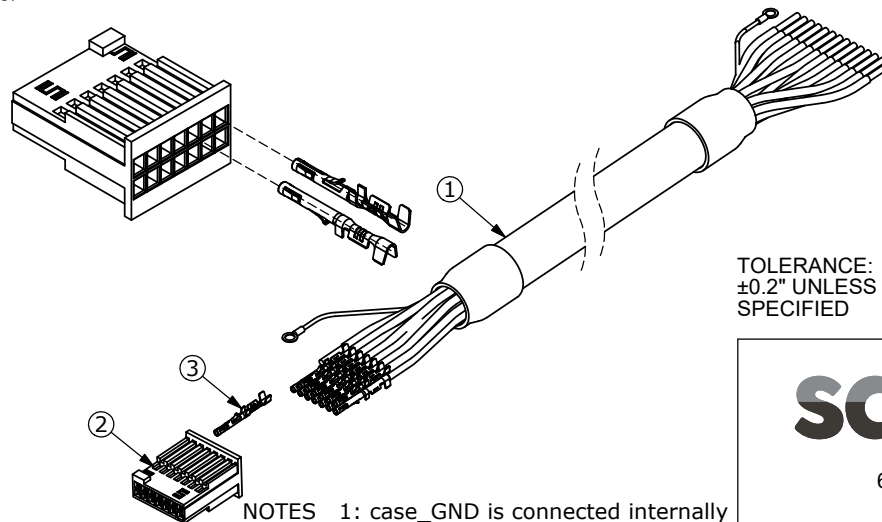


Additional Resources: [Product Page](#)

| REV. | DESCRIPTION | DATE |
|------|-----------------------------------|------------|
| A | initial release | 7/29/2013 |
| C | brand update | 4/15/2020 |
| D | CUI Devices rebranded to Same Sky | 09/12/2024 |



SECTION A-A
SCALE 3 : 1
(Back of Connector Housing)



NOTES 1: case_GND is connected internally to GND (black/red)
2: ground is connected internally to cable shielding
3: To enable commutation output of AMT303, tie COMM to GND.

TOLERANCE:
±0.2" UNLESS OTHERWISE
SPECIFIED



| Connector Pinout | | | | |
|------------------|----------|----------|---------|--------|
| # | Function | | Color | |
| | AMT203 | AMT303 | Primary | Stripe |
| 1 | UNUSED | | Blue | Red |
| 2 | CSB | Zero Set | Green | Red |
| 3 | MISO | U+ | Brown | Black |
| 4 | GND | | Black | Red |
| 5 | SCK | W+ | Orange | Black |
| 6 | +5V | | Red | Black |
| 7 | MOSI | V+ | Red | White |
| 8 | B+ | | Green | Black |
| 9 | UNUSED | B- | Black | Green |
| 10 | A+ | | White | Black |
| 11 | UNUSED | A- | Black | White |
| 12 | Z+ | | Blue | Black |
| 13 | UNUSED | Z- | Black | Blue |
| 14 | UNUSED | COMM | Yellow | Black |

PC FILE NAME:
AMT-14C-0-036-1

COPYRIGHT 2024 BY SAME SKY

| | Part | QTY | Part# |
|---|------------|-----|------------------------|
| 1 | Cable | 1 | 3M 3600B/20 |
| 2 | Connector | 1 | Samtec ISDF-07-D |
| 3 | Crimp Pins | 14 | Samtec CC03L-2830-01-G |

6405 SW Rosewood St, Suite C
Lake Oswego, OR 97035
Phone: 877-323-3576

Website: www.sameskydevices.com

| | |
|--------------------------|-----------------|
| ITEM NO: 977-7015R | REV: D |
| PART NO: AMT-14C-0-036-1 | UNITS: INCH[MM] |
| DRAWN BY: RDS | APPROVED BY: |
| | SCALE: 2:1 |

Mouser Electronics

Authorized Distributor

Click to View Pricing, Inventory, Delivery & Lifecycle Information:

[Same Sky:](#)

[AMT-14C-0-036-1](#)