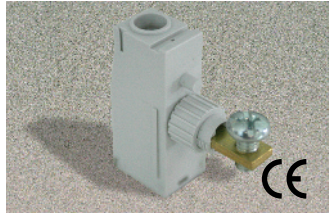




# 12.10mm Pin Spacing – Panel Mount

Pin Spacing: 12.10mm  
 Orientation: Panel Mount  
 Clamp Type: Screw Cage  
 Design: Modular with nut



## MPT-1612-x

### ELECTRICAL

	Current	Voltage	Wire Range
 US E178356	85A	600V	30-11 AWG
	76A	450V	16.0mm <sup>2</sup> Stranded 25.0mm <sup>2</sup> Solid

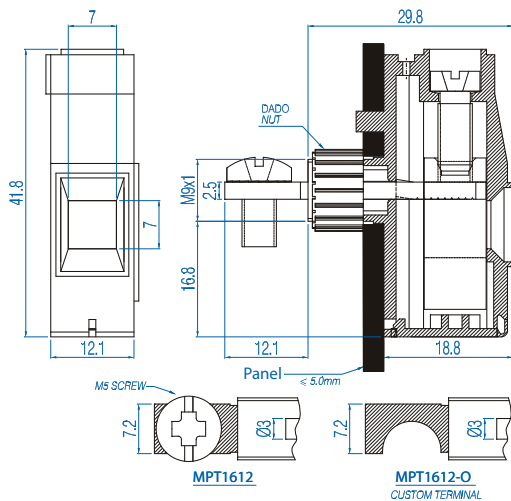
### INSTALLATION DATA

<b>Screw Size</b>	M5	<b>Panel Hole Size</b>	9.2mm
<b>Torque</b>	2.0Nm (18.0 lbf-in.)	<b>Stripping Lgth.</b>	17.0mm

### MATERIAL

<b>Body</b>	Polyamide	<b>Screw</b>	Galvanized Steel
<b>Flammability Class</b>	UL94V-0	<b>Terminal</b>	Tin-Plated Brass
<b>Temperature Limit</b>	105°C UL 125°C IEC	<b>Clamp</b>	Nickel Brass
<b>Color</b>	Gray		

No. Poles	Cat. #	Length (mm)	Std. Pk.
1	MPT-1612	12.1	50
1	MPT-1612-O	12.1	50



Wall hole size: Ø3.3mm / 10mm.

# Mouser Electronics

Authorized Distributor

Click to View Pricing, Inventory, Delivery & Lifecycle Information:

[Altech:](#)

[MPT-1612](#)