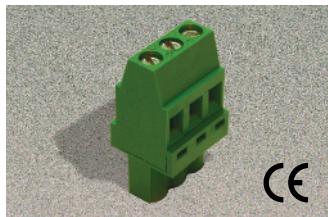


10.16mm Pin Spacing – Pluggable PCB Blocks

Pin Spacing: 10.16mm
 Orientation: Vertical Plug
 Clamp Type: Screw Cage
 Design: Single Mold



SVFxx-10.16

ELECTRICAL

	Current	Voltage	Wire Range
	12A	600V	30-14AWG
	16A	750V	2.5mm ² Stranded 4.0mm ² Solid

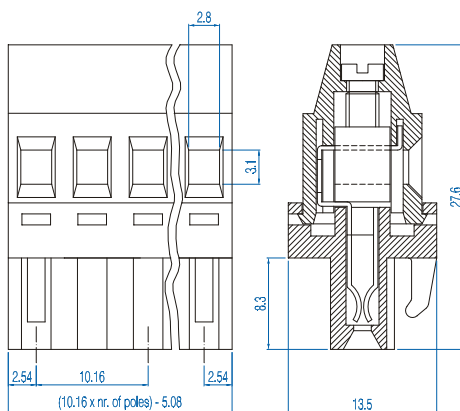
INSTALLATION DATA

Screw Size	M3	PCB Hole Size	–
Torque	0.5Nm (4.5 lbf-in.)	Stripping Lgth.	7.5mm

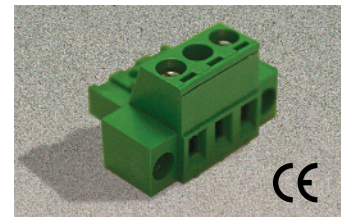
MATERIAL

Body	Polyamide	Screw	Galvanized Steel
Flammability Class	UL94V-0	Terminal	Nickeled Brass
Temperature Limit	105°C UL 125°C IEC	Clamp	Nickeled Brass
Color	Green		

No. Poles	Cat. #	Length (mm)	Std. Pk.
2	SVF02-10.16	15.2	100
3	SVF03-10.16	25.4	100
4	SVF04-10.16	35.6	50
5	SVF05-10.16	45.7	50
6	SVF06-10.16	55.9	50
7	SVF07-10.16	66.0	50
8	SVF08-10.16	76.2	50
9	SVF09-10.16	86.4	50
10	SVF10-10.16	96.5	50
11	SVF11-10.16	106.7	20
12	SVF12-10.16	116.8	20



Pin Spacing: 10.16mm
 Orientation: Horizontal Plug with Screw Flange
 Clamp Type: Screw Cage
 Design: Single Mold



SHxx-10.16-K

ELECTRICAL

	Current	Voltage	Wire Range
	12A	600V	30-14AWG
	16A	750V	2.5mm ² Stranded 4.0mm ² Solid

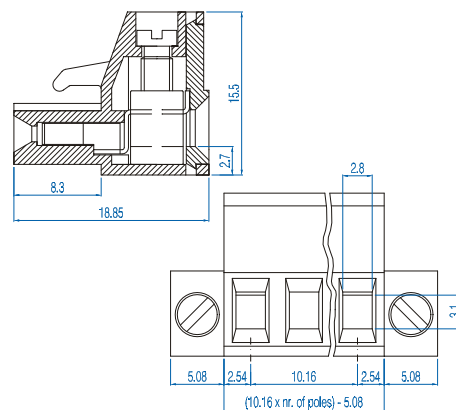
INSTALLATION DATA

Screw Size	M3	PCB Hole Size	–
Torque	0.5Nm (4.5 lbf-in.)	Stripping Lgth.	7.5mm

MATERIAL

Body	Polyamide	Screw	Galvanized Steel
Flammability Class	UL94V-0	Terminal	Nickeled Brass
Temperature Limit	105°C UL 125°C IEC	Clamp	Nickeled Brass
Color	Green		

No. Poles	Cat. #	Length (mm)	Std. Pk.
2	SH02-10.16-K	25.4	100
3	SH03-10.16-K	35.6	100
4	SH04-10.16-K	45.7	50
5	SH05-10.16-K	55.9	50
6	SH06-10.16-K	66.0	50
7	SH07-10.16-K	76.2	50
8	SH08-10.16-K	86.4	50
9	SH09-10.16-K	96.5	50
10	SH10-10.16-K	106.7	50
11	SH11-10.16-K	116.8	50



Mouser Electronics

Authorized Distributor

Click to View Pricing, Inventory, Delivery & Lifecycle Information:

[Altech:](#)

[SVF01-10,16](#)