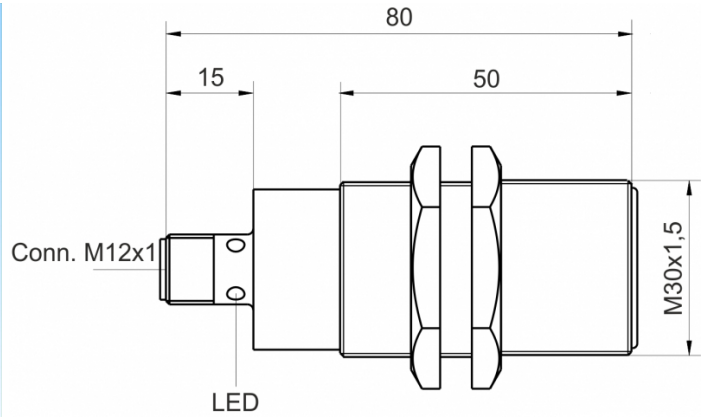
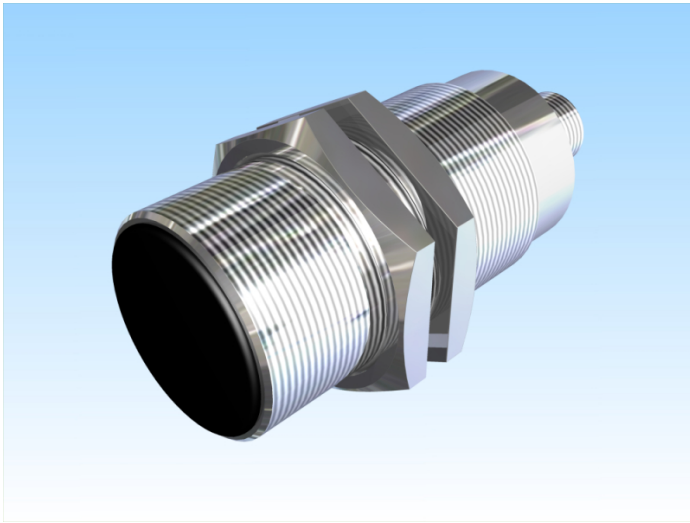


[Article Page](#)


Product Description

inductive sensor DC

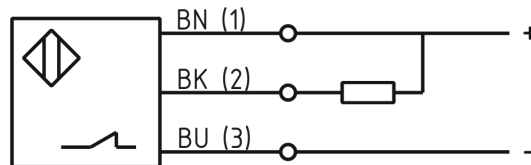


Name  
Order number  
Switching distance  
Mounting  
  
Switch type  
  
Signal Type  
Connection  
Connection diagramm

SJ22-M30MB80-DNÖ-V2  
08313223042  
22 mm

 shielded

 N.C.  
DC NPN  
connector M12



fine-pitch thread M30 x 80

Dimension (in mm)  
Technical Specification  
Special features  
Operating voltage  
Max. ripple  
Voltage drop  
Max. load current  
No load current  
Leakage current  
Switching frequency  
Switching hysteresis  
Operating temperature  
Temperature drift  
Repeat accuracy  
Switching state  
Time delay  
Protection category  
EMC-level  
Housing material  
Material active face  
Utilisation category  
Contact material  
Contact surface material

quasi-shielded mounting  
10 - 30 V DC  
≤ 10 %  
2 V  
200 mA  
≤ 10 mA  
≤ 50 µA  
300 Hz  
≤ 15 %  
-25 ° C to 70 ° C  
≤ 10 %  
≤ 5 %  
LED  
300 ms  
IP67  
DIN EN 60947-5-2:2008  
Brass, nickel plated  
PBT  
DC 13  
CuSn  
NiAu



## **SJ22-M30MB80-DNÖ-V2**

Pulsotronic GmbH & Co. KG Neue Schichtstraße 14b 09366 Niederdorf Deutschland +49 (0)37296 930-200

Nominal operating voltage  
Termination

24 V DC  
Connector M12 4pin

**Errors and omissions excepted**

# Mouser Electronics

Authorized Distributor

Click to View Pricing, Inventory, Delivery & Lifecycle Information:

[Altech:](#)

[08313223042](#)