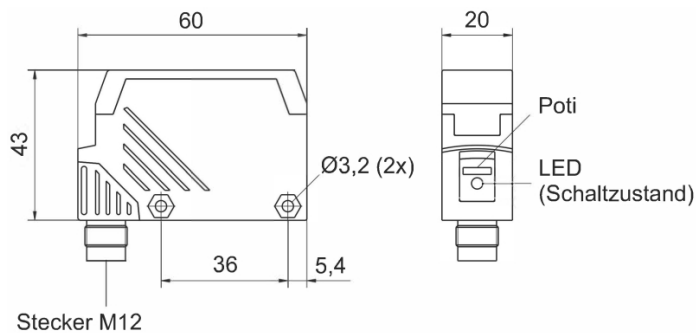
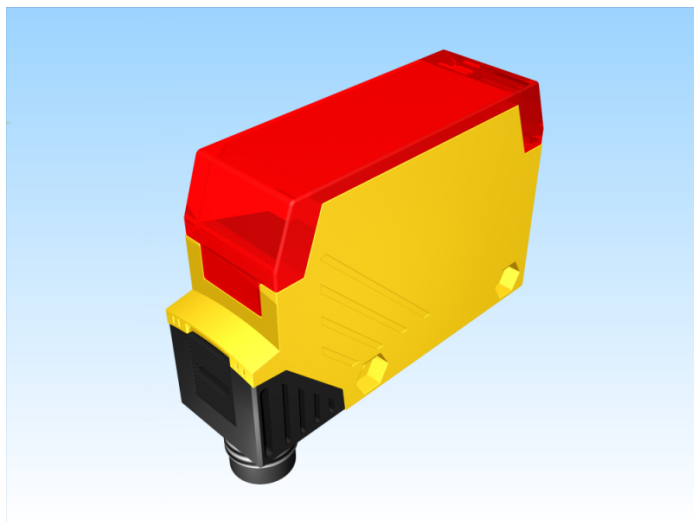


[Article Page](#)

Product Description

reflex light barrier



Name
Order number
Switch type

KORP13M-Q64KB-DPU-V2-RT
08362215008

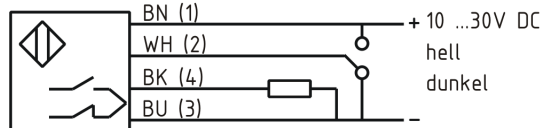


Switchable

PNP

● Red light 650 nm
connector M12

Signal Type
Illuminant
Connection
Connection diagramm



Q 20 x 60 x 43

Dimension (in mm)
Technical Specification
Signal type
Operating voltage
Max. load current
No load current
Switching frequency
Operating temperature
Switching state
Measuring range
Sensitivity adjustable
Short-circuit proof
Overload protection
Reverse voltage protection
Protection category
EMC-level
Housing material
Termination

Polarized retroreflective sensor
10 - 30 V DC
100 mA
< 35 mA
700 Hz
-25 ° C to 55 ° C
LED
13 m
ja
yes
yes
yes
IP67
DIN EN 60947-5-2:2008
Plastic
Connector M12 4pol

Errors and omissions exceptet

Mouser Electronics

Authorized Distributor

Click to View Pricing, Inventory, Delivery & Lifecycle Information:

[Altech:](#)

[08362215008](#)