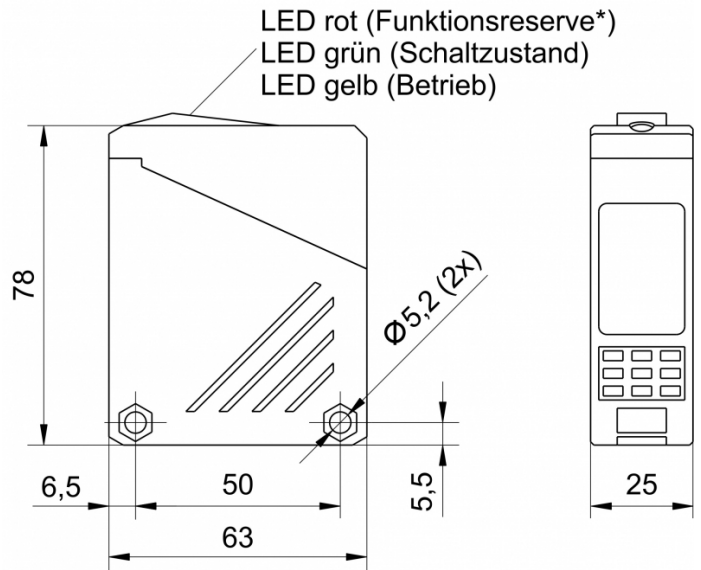
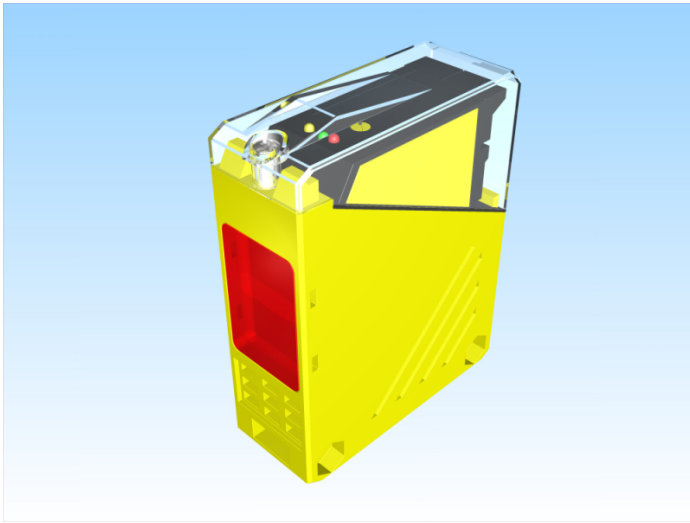


[Article Page](#)

Product Description

reflex light barrier



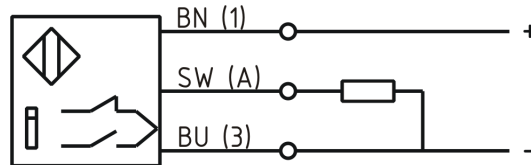
Name
Order number
Switch type

KORP10M-Q76KB-DPU-NPT-RT
08362280002



PNP
● Red light 660 nm
Terminal

Signal Type
Illuminant
Connection
Connection diagramm



Q 25 x 77.5 x 63

Dimension (in mm)
Technical Specification
Signal type
Operating voltage
Max. load current
No load current
Switching frequency
Operating temperature
Operating state
Switching state
Measuring range
Sensitivity adjustable
Short-circuit proof
Overload protection
Reverse voltage protection
Protection category
EMC-level
Housing material

Polarized retroreflective sensor
10 - 30 V DC
100 mA
< 35 mA
500 Hz
-25 ° C to 55 ° C
LED
LED
10 m
ja
yes
yes
yes
IP67
DIN EN 60947-5-2:2008
Plastic

Errors and omissions exceptet

Mouser Electronics

Authorized Distributor

Click to View Pricing, Inventory, Delivery & Lifecycle Information:

[Altech:](#)

[08362280002](#)