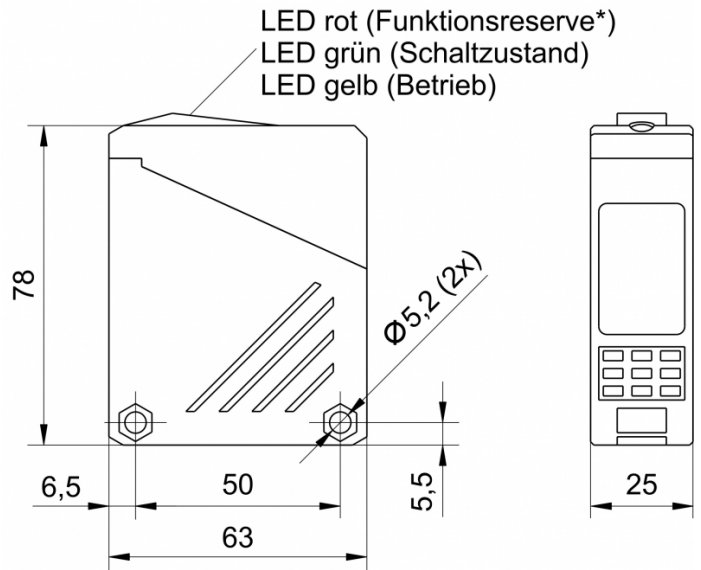
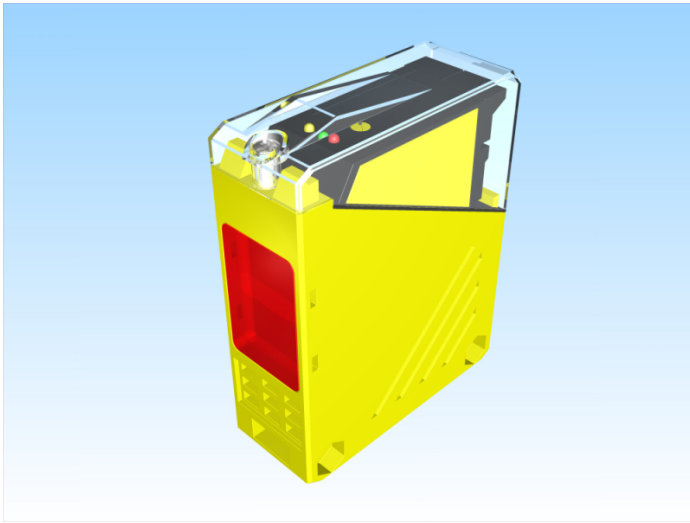


[Article Page](#)

Product Description

reflex light probe with background suppression



Name
Order number
art_schaltabstand_einstellbar
Switching distance
Switch type

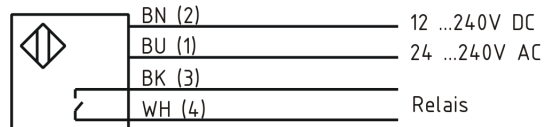
KORH300-Q76KB-VRU-NPT-IR
08361280057
yes
from 150 mm to 300 mm



Switchable

Relay
IR Infrared light 880 nm
Terminal

Signal Type
Illuminant
Connection
Connection diagramm



Q 25 x 77.5 x 63

Dimension (in mm)
Technical Specification
Signal type
Operating voltage
Max. load current
No load current
Switching frequency
Operating temperature
Operating state
Switching state
Reverse voltage protection
Protection category
EMC-level
Housing material

Background suppression sensor
12 - 240 V DC
3000 mA
< 30 mA
25 Hz
-25 ° C to 55 ° C
LED
LED
yes
IP65
DIN EN 60947-5-2:2008
Plastic

Errors and omissions exceptet

Mouser Electronics

Authorized Distributor

Click to View Pricing, Inventory, Delivery & Lifecycle Information:

[Altech:](#)

[08361280057](#)