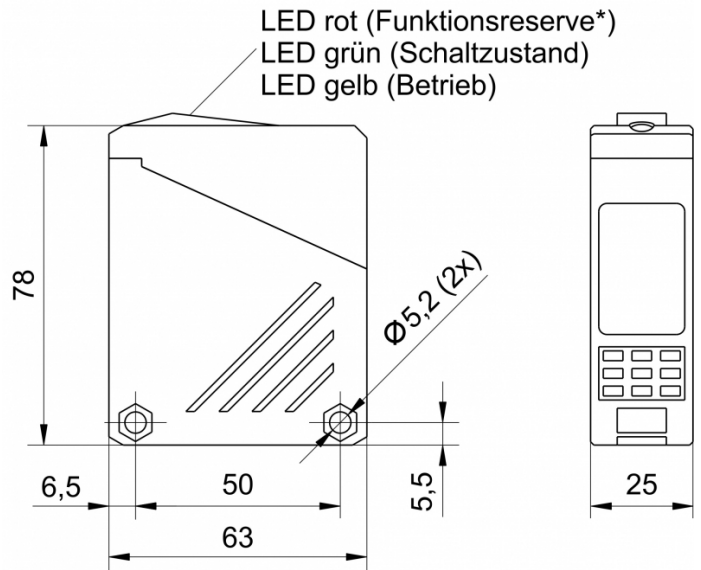
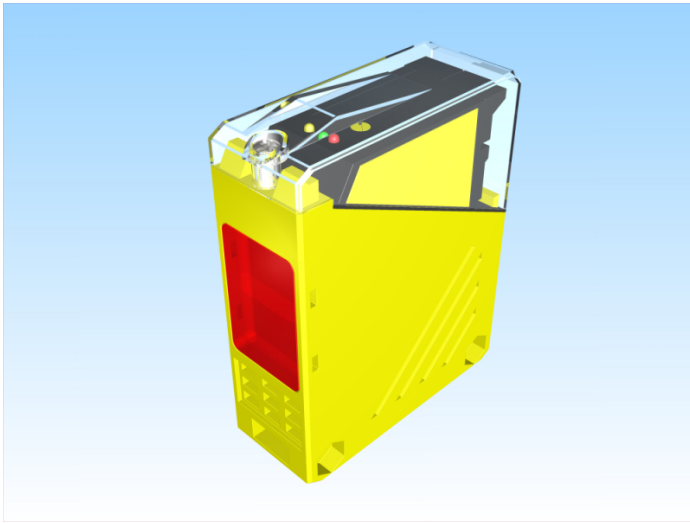


[Article Page](#)

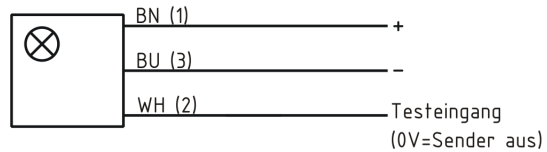
Product Description

one-way light barrier



Name
Order number
Signal Type
Illuminant
Connection
Connection diagramm

KOES28M-Q76KB-D-NPT-IR
08363280001
Transmitter
IR Infrared light 880 nm
Terminal



Dimension (in mm)
Technical Specification
Signal type
Operating voltage
No load current
Operating temperature
Operating state
Measuring range
Reverse voltage protection
Protection category
EMC-level
Housing material
Notes

Q 25 x 77.5 x 63
Throughbeam sensor
10 - 30 V DC
< 35 mA
-25 ° C to 55 ° C
LED
28 m
yes
IP67
DIN EN 60947-5-2:2008
Plastic
Sender mit Testeingang

Errors and omissions exceptet

Mouser Electronics

Authorized Distributor

Click to View Pricing, Inventory, Delivery & Lifecycle Information:

[Altech:](#)

[08363280001](#)