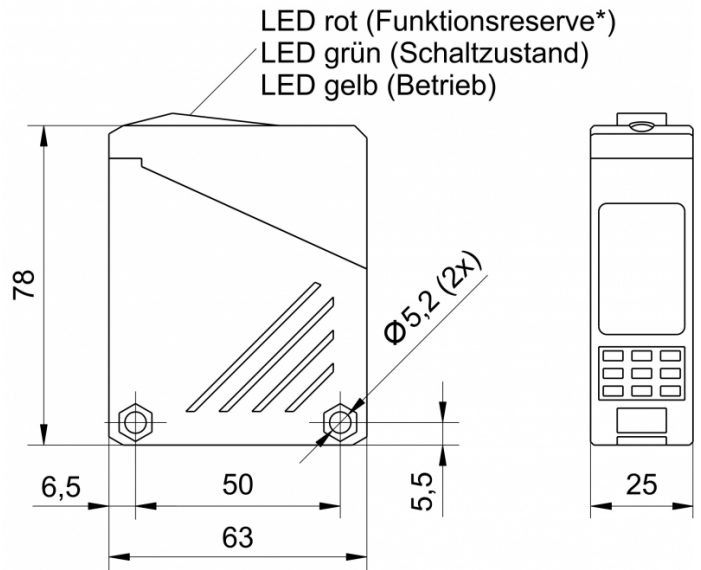
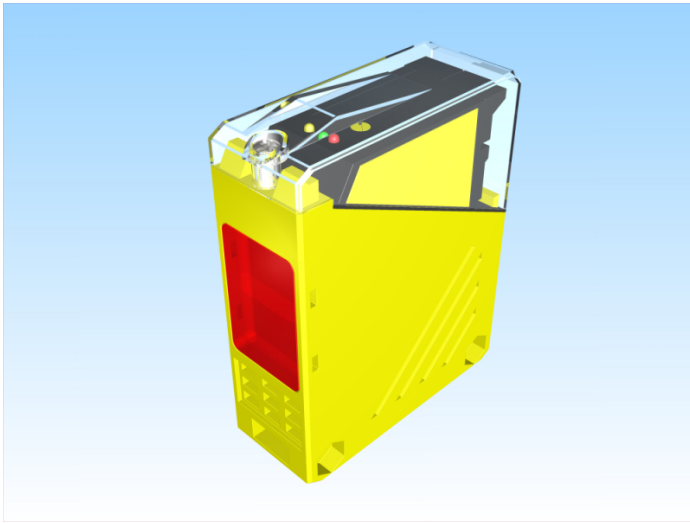


[Article Page](#)

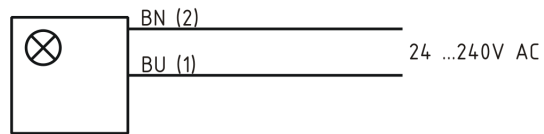
Product Description

one-way light barrier



Name  
Order number  
Signal Type  
Illuminant  
Connection  
Connection diagramm

KOES28M-Q76KB-A-NPT-IR  
08363280008  
Transmitter  
IR Infrared light 880 nm  
Terminal



Dimension (in mm)  
Technical Specification  
Signal type  
Operating voltage  
Max. load current  
No load current  
Operating temperature  
Operating state  
Measuring range  
Reverse voltage protection  
Protection category  
EMC-level  
Housing material

Q 25 x 77.5 x 63  
Throughbeam sensor  
24 - 240 V AC  
100 mA  
35 mA  
-25 ° C to 55 ° C  
LED  
28 m  
yes  
IP67  
DIN EN 60947-5-2:2008  
Plastic

**Errors and omissions exceptet**

# Mouser Electronics

Authorized Distributor

Click to View Pricing, Inventory, Delivery & Lifecycle Information:

[Altech:](#)

[08363280008](#)