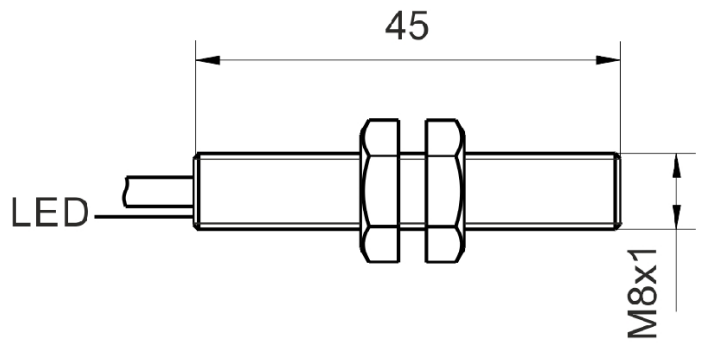
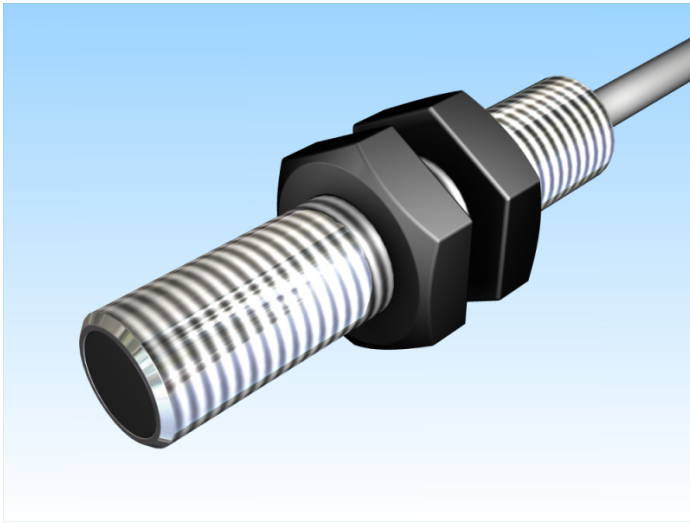


[Article Page](#)

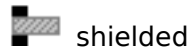
Product Description

inductive sensor DC



Name
Order number
Matchcode
Switching distance
Mounting

KJ3-M8MB45-DPÖ
08317815400
9981-5400
3 mm



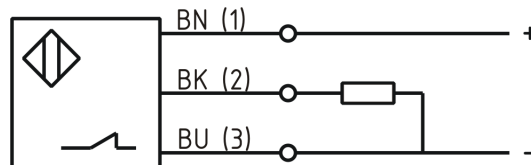
Switch type



Signal Type
Connection



Connection diagramm



fine-pitch thread M8 x 45

Dimension (in mm)
Technical Specification

quasi-shielded mounting

Special features
Operating voltage
Max. ripple
Voltage drop
Max. load current
No load current
Leakage current
Switching frequency
Switching hysteresis
Operating temperature
Temperature drift
Repeat accuracy
Switching state
Time delay
Short-circuit proof
Overload protection
Reverse voltage protection
Protection category
EMC-level

10 - 30 VDC
≤ 10 %
1 V
200 mA
≤ 10 mA
≤ 10 μA
1000 Hz
≤ 15 %
-25 ° C to 70 ° C
< 10 %
≤ 2 %
LED
300 ms
yes
yes
yes
IP67
DIN EN 60947-5-2:2008



KJ3-M8MB45-DPÖ

Pulsotronic GmbH & Co. KG Neue Schichtstraße 14b 09366 Niederdorf Deutschland +49 (0)37296 930-200

Housing material	Brass, nickel plated
Material active face	PCP
Cable length	2 m
Utilisation category	DC 13
Cable material	PVC LIYY grau (grey)
Cable cross	3x0.14 mm ²

Errors and omissions exceptet

Mouser Electronics

Authorized Distributor

Click to View Pricing, Inventory, Delivery & Lifecycle Information:

[Altech:](#)

[08317815400](#)