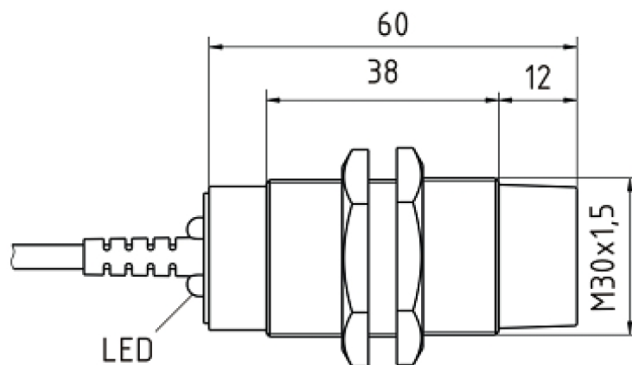
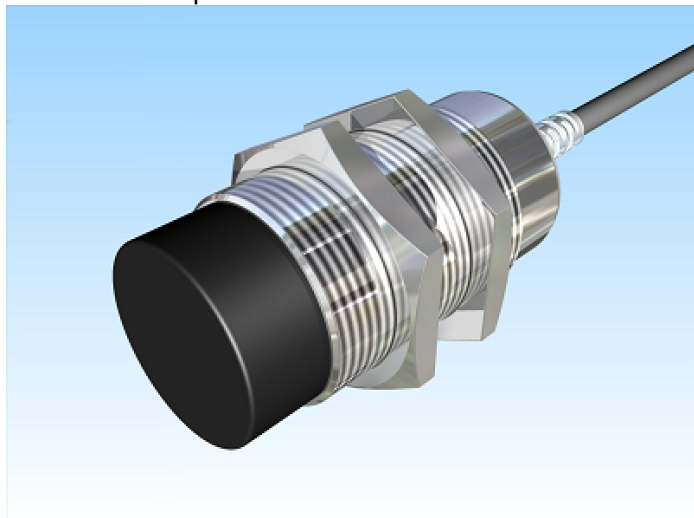


[Article Page](#)

Product Description

inductive sensor AC/DC



Name
Order number
Switching distance
Mounting

KJ10-M30MN60-VZÖ
08317171700
15 mm

non shielded

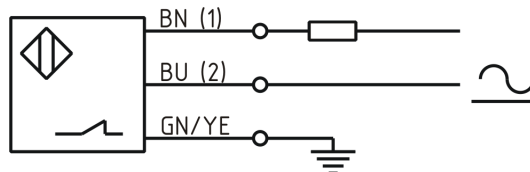
Switch type

N.C.
AC/DC

Signal Type
Connection

Cable

Connection diagramm



Dimension (in mm)
Technical Specification
Operating voltage
Voltage drop
Max. load current
Leakage current
Switching frequency
Switching hysteresis
Operating temperature
Temperature drift
Repeat accuracy
Switching state
Short-circuit proof
Overload protection
Reverse voltage protection
Protection category
EMC-level
Material active face
Termination
Notes

fine-pitch thread M30 x 60

20 - 250 V AC/DC
5 V
350 mA
≤ 1,7 mA
30
≤ 15 %
-25 ° C to 70 ° C
≤ 10 %
≤ 5 %

LED
yes
yes
yes
IP67
DIN EN 60947-5-2:2008
PCB
2m PVC 3x0,5mm²
Kurzschluss- und Überlastungsschutz rastend. Nach Beseitigung des Kurzschlusses muß die Spannungsversorgung für ca. 2s unterbrochen werden.



KJ10-M30MN60-VZÖ

Pulsotronic GmbH & Co. KG Neue Schichtstraße 14b 09366 Niederdorf Deutschland +49 (0)37296 930-200

Errors and omissions excepted

Mouser Electronics

Authorized Distributor

Click to View Pricing, Inventory, Delivery & Lifecycle Information:

[Altech:](#)

[08317171700](#)