



ED-LENS-M12-230325-13 Data Sheet

1/2.3" 13 Megapixel wide range M12 lens

Overview

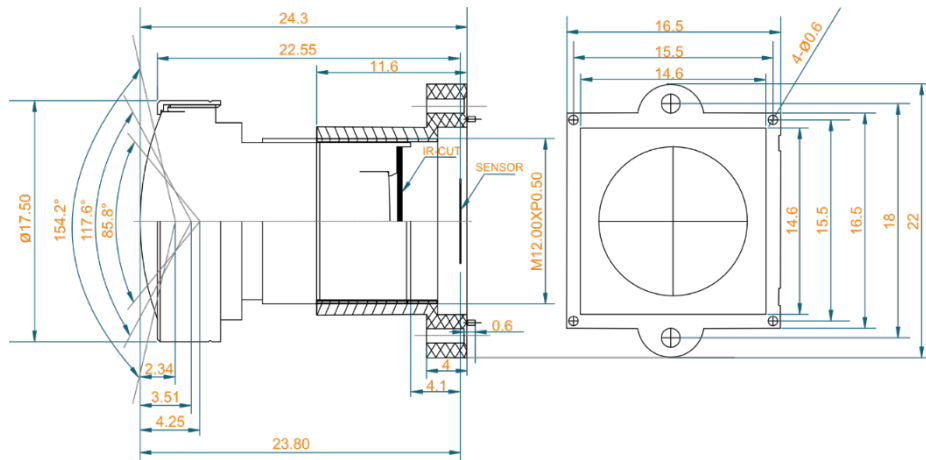
ED-LENS-M12-230325-13 lens can be used with Raspberry Pi M12 High Quality camera module and other cameras with M12 interface. This 3.25mm M12 lens provides an 117.6° Horizontal Field of View on 1/2.3" sensors.



Specifications

Resolution		13 Megapixel
Optical format		1/2.3"
TTL (Total Track Length)		23.80mm
EFL (Effective Focal Length)		3.25mm
Aperture		F2.7
Mount		M12
FOV (Field of View) DxHxV (°)	° / "	1/2.3" (IMX477)
	D	154.2
	H	117.6
	V	85.8
Optical Distortion		<-15.7%
CRA (Chief Ray Angle)		<13.9°
MOD (Minimum Object Distance)		0.89m
BFL (Back Focal Length)		5.61mm
MBF (Mechanical Back Focal)		4.10mm
Structure		7G
Operation	Focus	Manual
	Iris aperture	Fixed
Dimension (mm)		Φ17.5x19.7
Weigh (g)		7.6
Working Temperature		-20°C to +70°C

Mechanical Drawing



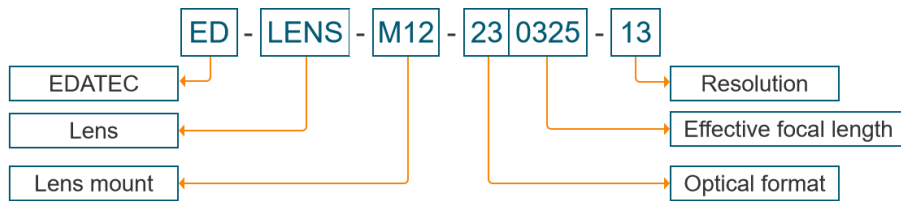
Unit	mm
Size Tolerance	0-10±0.1; 10-30±0.3; 30-120±0.5
Angle Tolerance	±2°

Actual Photo

Below picture was taken by Raspberry Pi M12 High Quality camera module with ED-LENS-M12 lens in the lab, it just gives a reference about the Field of View and resolution of the lens, it may be different with the pictures taken in different light environment and other different conditions.



Ordering Code



Example

P/N : ED-LENS-M12-230325-13

Configuration : EDATEC selected a wide angle of 13 Megapixel M12-mount lens for Raspberry Pi High Quality Camera module, this 3.25mm M12 lens provides an 117.6° Horizontal Field of View on 1/2.3" sensors.

More details about Ordering Code, please check "[Selection Guide](#)" below.

Selection Guide

Model NO.	Optical Format	EFL (mm)	BFL (mm)	Resolution (Megapixel)	Structure	F/NO.	FOV (D/H/V) (°)	MOD (m)	Size (mm)
ED-LENS-M12-175000-12	1/1.7"	50	24.2	12	8G	2.8	1/1.7": 10.6/8.6/6.4 1/1.8": 10.15/8.88/4.9	0.3	Φ22×44.9
ED-LENS-M12-203500-08	1/2"	35	7.569	8	8G	2.4	12.6/10.1/7.6	1	Φ20×33.7
ED-LENS-M12-202500-05	1/2"	25	11.98	5	6G	2.4	1/2": 18.3/14.7/11.1 1/3": 13.8/11.1/8.3 1/4": 10.4/8.3/6.3	0.3	Φ14×20.4
ED-LENS-M12-201600-05	1/2"	16	5.75	5	6G	2.0	1/2": 28.9/23.3/17.6 1/2.5": 26.1/24.7/15.8 1/3.6": 18.3/14.7/11.1	0.3	Φ14×16
ED-LENS-M12-201200-08	1/2"	12	5.06	8	8G	2.0	1/2": 41.4/36.4/20.9 1/2.3": 36.9/29.8/22.4	0.15	Φ15×20.24
ED-LENS-M12-180780-08	1/1.8"	7.8	6.06	8	8G	2.0	1/1.8": 60.8/50.3/38.6 1/2": 55.1/45.2/34.5	0.15	Φ18.7×29.27
ED-LENS-M12-180770-04	1/1.8"	7.7	5.37	4	7G1P	1.6	1/1.8": 65.4/57.2/32.4 1/2.3": 57.6/49.5/28.6 1/2.5": 53.2/46.5/26.3	0.3	Φ14×20
ED-LENS-M12-170800-12	1/1.7"	8	10.02	12	8G	1.8	1/1.7": 72.64/57.12/42.44 1/2.5": 50.7/44.4/32.6 1/3": 43/34.7/26.4	0.3	Φ17×33.1
ED-LENS-M12-180420-02	1/1.8"	4.2	6.18	2	9G	1.8	94/86.3/54.1	0.3	Φ25×27.15
ED-LENS-M12-180450-08	1/1.8"	4.5	5.9	8	12G	2.0	98.5/90.2/54.8	0.5	Φ24×24.8
ED-LENS-M12-180520-04	1/1.8"	5.2	5.21	4	7G1P	1.6	111/92.3/48.5	0.3	Φ14×20.7
ED-LENS-M12-170500-12	1/1.7"	5	6.39	12	8G	2.0	1/1.7": 121.4/90/65 1/2.5": 87/68.6/49.7 1/3": 70.9/55.5/41.2	0.3	Φ17×29.4

China

Phone: +86-18627838895 | Email: sales@edatec.cn / support@edatec.cn
EDA Technology Co., LTD

Overseas

Phone: +86-18217351262 | Email: sales@edatec.cn / support@edatec.cn
www.edatec.cn

ED-LENS-M12-230325-13

Model NO.	Optical Format	EFL (mm)	BFL (mm)	Resolution (Megapixel)	Structure	F/NO.	FOV (D/H/V) (°)	MOD (m)	Size (mm)
ED-LENS-M12-230347-08	1/2.3"	3.47	5.34	8	4G2P	2.2	137/106.8/79	1.11	Φ14×15.05
ED-LENS-M12-230325-13	1/2.3"	3.25	5.61	13	7G	2.7	154.2/117.6/85.8	0.89	Φ17.5×19.7
ED-LENS-M12-170320-12	1/1.7"	3.2	6.14	12	8G	2.0	1/1.7": 160/131/99 1/1.8": 153.6/129/88 1/2.3": 136/113.5/83	0.3	Φ28×38.9
ED-LENS-M12-180250-08	1/1.8"	2.5	5.59	8	8G	2.2	1/1.8": 180/142.4/106.8 1/2": 180/147.8/106.8 1/2.3": 180/142.4/106.8	0.3	Φ22×22.19
ED-LENS-M12-180160-05	1/1.8"	1.6	4.88	5	6G	2.0	1/1.8": 180/180/180 1/2.3": 180/180/180 1/3": 180/180/132	0.3	Φ20×16
ED-LENS-M12-170185-12	1/1.7"	1.85	6.25	12	9G	2.0	1/1.7": 185/185/185 1/2": 185/185/154.9 1/2.5": 185/185/126.4	0.15	Φ34×29.54
ED-LENS-M12-170183-08	1/1.7"	1.83	5.03	8	8E	2.07	186/186/186	0.2	Φ21×21.97
ED-LENS-M12-280167-08	1/2.8"	1.67	4.36	8	5G2P	2.0	1/2.8": 190/190/120 1/2.7": 190/190/115.9	0.3	Φ22×19.6
ED-LENS-M12-230155-12	1/2.3"	1.55	4.63	12	8G	2.0	1/2.3": 195/195/195 1/2.5": 195/195/172 1/2.7": 195/195/157	0.15	Φ26×23.16
ED-LENS-M12-250150-05	1/2.5"	1.5	3.31	5	6G	2.0	1/2.5": 210/210/210 1/3.2": 210/210/210	0.3	Φ16×13.58
ED-LENS-M12-230130-12	1/2.3"	1.3	2.96	12	8G	2.0	240/240/240	0.25	Φ22×18.24
ED-LENS-M12-230112-04	1/2.3"	1.12	3.01	4	4G2P	2.2	225/225/225	0.17	Φ17×18.19

China

Phone: +86-18627838895 | Email: sales@edatec.cn / support@edatec.cn
EDA Technology Co., LTD

Overseas

Phone: +86-18217351262 | Email: sales@edatec.cn / support@edatec.cn
www.edatec.cn

Mouser Electronics

Authorized Distributor

Click to View Pricing, Inventory, Delivery & Lifecycle Information:

[EDATEC:](#)

[ED-LENS-M12-230325-13](#) [ED-LENS-M12-230325-13](#)