



Main

Range of Product	Telemecanique Photoelectric sensors XU
Series name	Application tertiary sector
Electronic sensor type	Photo-electric sensor
Product Specific Application	Access detection
Sensor name	XUK
Sensor design	Compact 50 x 50
Additional information	French/english leaflet
Material	Plastic
Detection system	Reflex
Emission	Infrared reflex
[Sn] nominal sensing distance	22.97 ft (7 m) with 50 x 50 mm reflector
Wiring Technique	5-wire
Cable length	6.56 ft (2 m)

Complementary

Kit composition	Reflex system photo-electric sensor Fixing bracket Mounting instructions 50 x 50 mm reflector
Enclosure Material	PBT
Lens material	PMMA
Type of output signal	Discrete
Output Type	Relay
Discrete output type	1 C/O
Output function governance	Light
Electrical connection	Cable
Wire insulation material	PVC
Status LED	Output state 1 LED
Supply circuit type	AC/DC
[Us] rated supply voltage	24...240 V AC/DC reverse polarity protection
Supply voltage limits	20...264 V AC/DC
Output voltage	250 V AC
Switching capacity in mA	3 A
Switching frequency	< 20 Hz
Maximum power consumption in W	2 W
Maximum delay first up	60 ms
Maximum delay response	25 ms
Maximum delay recovery	25 ms
Net Weight	0.66 lb(US) (0.3 kg)

The information provided in this documentation contains general descriptions and/or technical characteristics of the performance of the products contained herein. This documentation is not intended as a substitute for and is not to be used for determining suitability or reliability of these products for specific user applications. It is the duty of any such user or integrator to perform the appropriate and complete risk analysis, evaluation and testing of the products with respect to the relevant specific application or use thereof. Neither Schneider Electric Industries SAS nor any of its affiliates or subsidiaries shall be responsible or liable for misuse of the information contained herein.

Environment

Product Certifications	UL CSA CE
Ambient Air Temperature for Operation	-13...131 °F (-25...55 °C)
Ambient Air Temperature for Storage	-40...158 °F (-40...70 °C)
Vibration resistance	7 gn +/- 1.5 mm 10...55 Hz) IEC 60068-2-6
Shock resistance	30 gn 11 ms) IEC 60068-2-27
IP degree of protection	IP65 IEC 60529 double insulation)

Ordering and shipping details

Category	21571-SENSORS, ELECTRONIC BASIC XU & XS
Discount Schedule	DS2
GTIN	3389119037662
Returnability	Yes
Country of origin	FR

Packing Units

Unit Type of Package 1	PCE
Number of Units in Package 1	1
Package 1 Height	2.36 in (6.000 cm)
Package 1 Width	6.89 in (17.500 cm)
Package 1 Length	7.87 in (20.000 cm)
Package 1 Weight	13.09 oz (371.000 g)
Unit Type of Package 2	P06
Number of Units in Package 2	81
Package 2 Height	28.94 in (73.500 cm)
Package 2 Width	31.50 in (80.000 cm)
Package 2 Length	23.62 in (60.000 cm)
Package 2 Weight	93.66 lb(US) (42.484 kg)

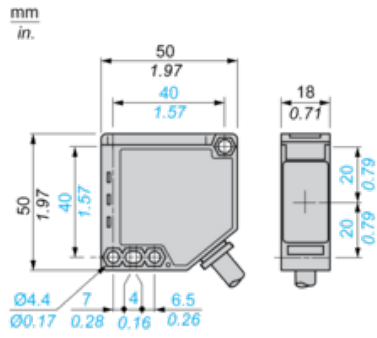
Offer Sustainability

Sustainable offer status	Green Premium product
California proposition 65	WARNING: This product can expose you to chemicals including: Diisononyl phthalate (DINP), which is known to the State of California to cause cancer, and Di-isodecyl phthalate (DIDP), which is known to the State of California to cause birth defects or other reproductive harm. For more information go to www.P65Warnings.ca.gov
REACH Regulation	REACH Declaration
EU RoHS Directive	Compliant EU RoHS Declaration
Mercury free	Yes
RoHS exemption information	Yes
Environmental Disclosure	Product Environmental Profile
Circularity Profile	End Of Life Information
WEEE	The product must be disposed on European Union markets following specific waste collection and never end up in rubbish bins.

Contractual warranty

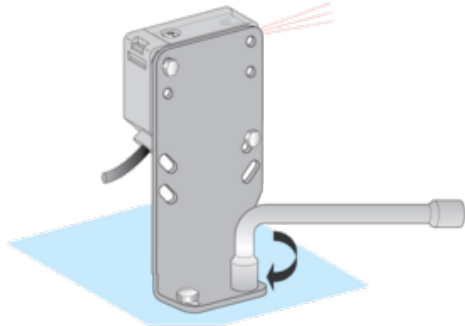
Warranty	18 months
----------	-----------

Dimensions

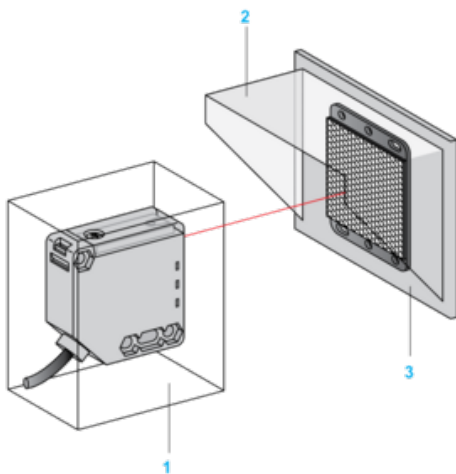


Mounting Precautions

Rigid Fixing for Trouble Free Detection



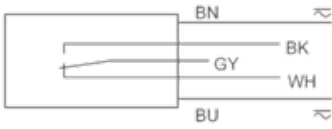
Outdoor Mounting under Protective Cover



- (1) Protective housing
- (2) Lens hood
- (3) Thermal insulator to avoid frost or condensation forming on the optical parts

Wiring Schemes

5-Wire AC or DC



BN : Brown

WH : White

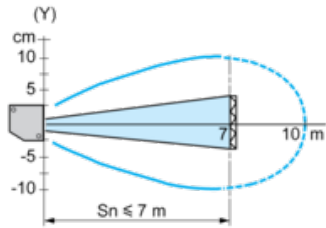
BU : Blue

BK : Black

GY : Grey

Detection Curves

Reflex System AC or DC

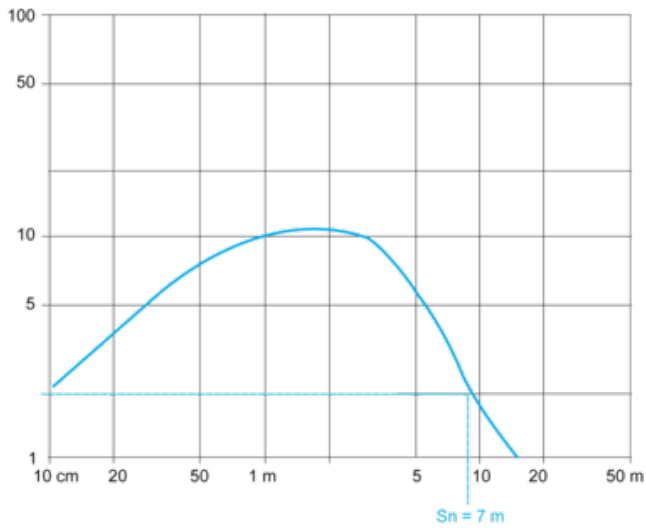


(y) Ø of beam (cm)

Detection Curves

Reflex System AC or DC

With reflector XUZC50



(y) Gain

Mouser Electronics

Authorized Distributor

Click to View Pricing, Inventory, Delivery & Lifecycle Information:

[Telemecanique Sensors:](#)

[XUK1ARCNL2H60](#)