

IS31FL3216A

16 CHANNELS LED DRIVER

July 2017

GENERAL DESCRIPTION

The IS31FL3216A is a fun light LED controller with an audio modulation mode. It can store data of 8 frames with internal RAM to play small animations automatically.

IS31FL3216A can sample the input signal to modulate the intensity of LEDs, or control 8 frames playing by internal ADC block.

The LED current of each channel can be set in 256 steps by adjusting the PWM duty cycle through an I2C interface. 8 channels can be used as GPIO ports.

IS31FL3216A is available in QFN-28 (4mm × 4mm). It operates from 2.7V to 5.5V over the temperature range of -40°C to +105°C.

APPLICATIONS

- Mobile phones and other hand-held devices for LED display
- LED in home appliances

FEATURES

- 2.7V to 5.5V supply
- I2C interface, automatic address increment function
- Internal RAM
- Modulate LED brightness with 256 steps PWM
- PWM frequency up to 26kHz
- Each channel can be controlled independently
- Auto Frame Play Mode with 8 frames
- 8 frames memory for animations
- Audio Frame Mode with 8 frames
- 8 of 16 outputs not used as LED drivers can be used as GPIO ports
- 8 levels of maximum intensity control
- 8kV HBM ESD
- Over-temperature protection
- -40°C to +105°C temperature range
- QFN-28 (4mm × 4mm) package

TYPICAL APPLICATION CIRCUIT

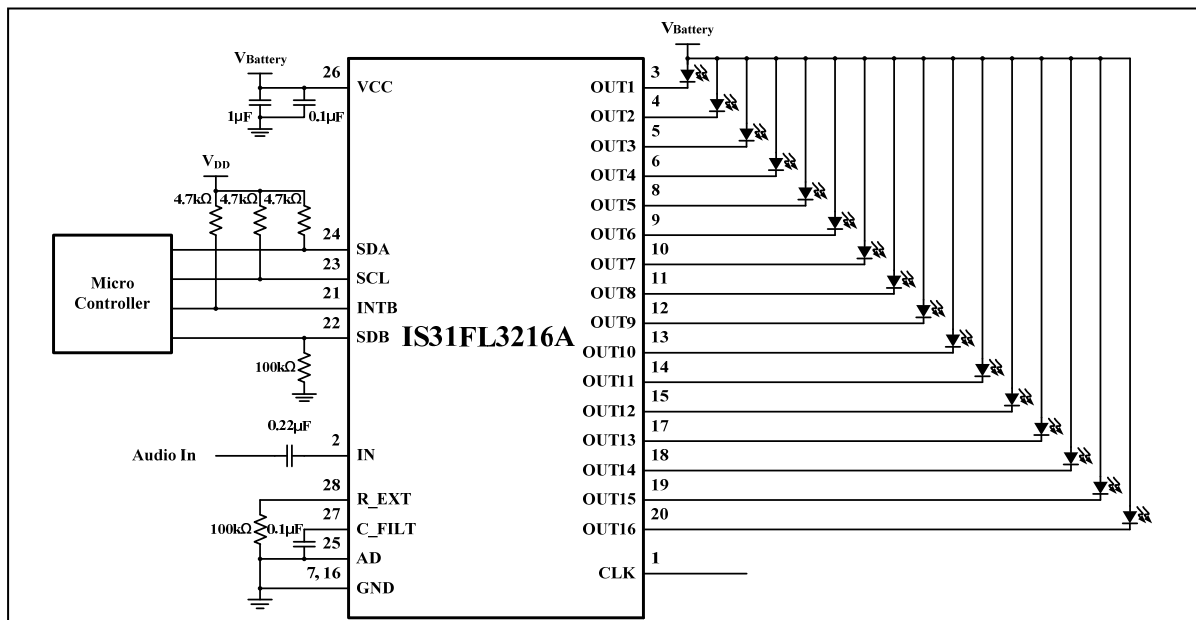


Figure 1 Typical Application Circuit

Note: The IC should be placed far away from the mobile antenna in order to prevent the EMI.

IS31FL3216A

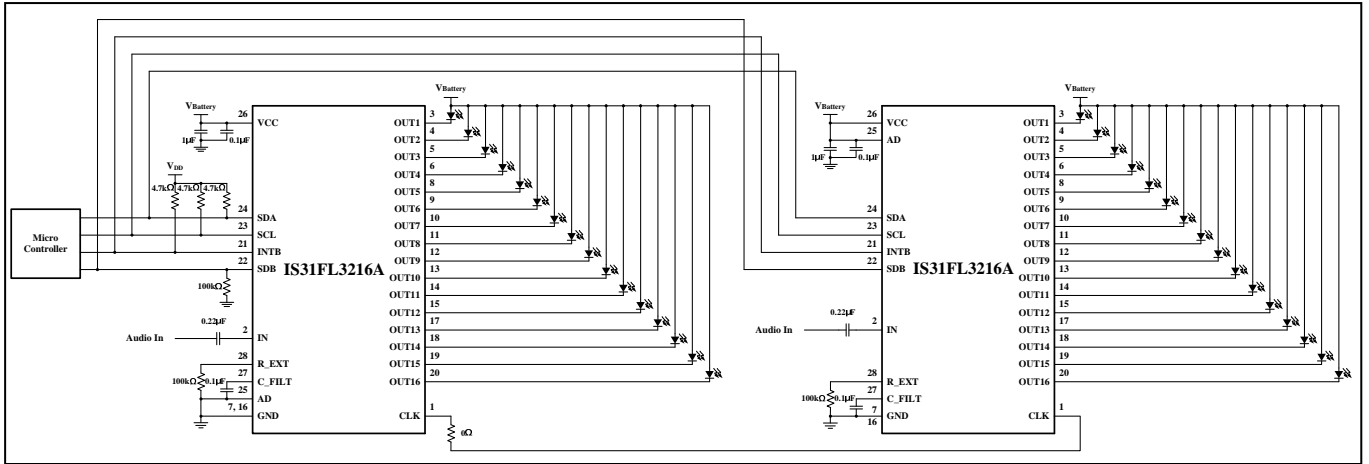
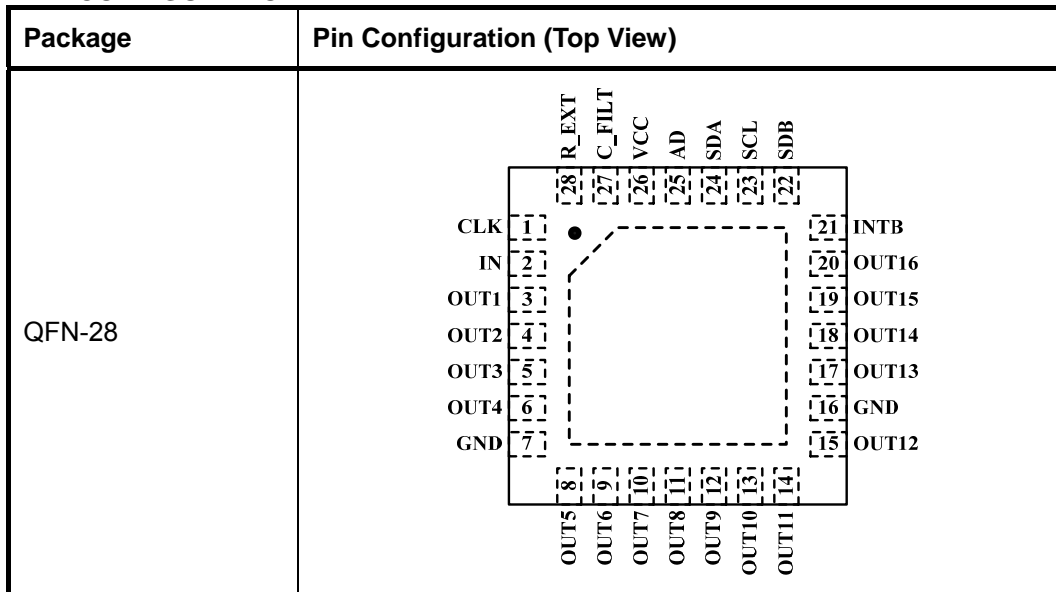


Figure 2 Typical Application Circuit (Cascade Mode)

IS31FL3216A

PIN CONFIGURATION



PIN DESCRIPTION

No.	Pin	Description
1	CLK	Clock for chip cascade.
2	IN	Audio signal input.
3 ~ 6	OUT1 ~ OUT4	Output channel.
7,16	GND	Ground.
8 ~ 11	OUT5 ~ OUT8	Output channel.
12 ~ 15	OUT9 ~ OUT12	Output channel. Also can be configured as GPIO port.
17 ~ 20	OUT13 ~ OUT16	Output channel. Also can be configured as GPIO port.
21	INTB	Interrupt output, active low.
22	SDB	Shutdown, pull to GND in the shutdown mode.
23	SCL	Serial clock input.
24	SDA	Serial data input.
25	AD	I2C address pin.
26	VCC	Power supply.
27	C_FILT	Filter capacitor for audio control.
28	R_EXT	External resistor to regulate the output current.
	Thermal Pad	Connect to GND.

IS31FL3216A

ORDERING INFORMATION

Industrial Range: -40°C to +105°C

Order Part No.	Package	QTY/Reel
IS31FL3216A-QFLS3-TR	QFN-28, Lead-free	2500

Copyright © 2017 Lumissil Microsystems. All rights reserved. Lumissil Microsystems reserves the right to make changes to this specification and its products at any time without notice. Lumissil Microsystems assumes no liability arising out of the application or use of any information, products or services described herein. Customers are advised to obtain the latest version of this device specification before relying on any published information and before placing orders for products.

Lumissil Microsystems does not recommend the use of any of its products in life support applications where the failure or malfunction of the product can reasonably be expected to cause failure of the life support system or to significantly affect its safety or effectiveness. Products are not authorized for use in such applications unless Lumissil Microsystems receives written assurance to its satisfaction, that:

- a.) the risk of injury or damage has been minimized;
- b.) the user assume all such risks; and
- c.) potential liability of Lumissil Microsystems is adequately protected under the circumstances

IS31FL3216A

ABSOLUTE MAXIMUM RATINGS

Supply voltage, V_{CC}	-0.3V ~ +6.0V
Voltage at any input pin	-0.3V ~ $V_{CC}+0.3V$
Current in GND terminal	1A
Maximum junction temperature, T_{JMAX}	+150°C
Storage temperature range, T_{STG}	-65°C ~ +150°C
Operating temperature range, $T_A=T_J$	-40°C ~ +105°C
Thermal resistance, θ_{JA}	51.4°C /W
ESD (HBM)	±8kV
ESD (CDM)	±1kV

Note: Stresses beyond those listed under “Absolute Maximum Ratings” may cause permanent damage to the device. These are stress ratings only and functional operation of the device at these or any other condition beyond those indicated in the operational sections of the specifications is not implied. Exposure to absolute maximum rating conditions for extended periods may affect device reliability.

ELECTRICAL CHARACTERISTICS

$T_A = 25^\circ\text{C}$, $V_{CC} = 2.7V \sim 5.5V$, unless otherwise noted. Typical values are $T_A = 25^\circ\text{C}$, $V_{CC} = 3.6V$.

Symbol	Parameter	Condition	Min.	Typ.	Max.	Unit
V_{CC}	Supply voltage		2.7		5.5	V
I_{CC}	Quiescent power supply current	$V_{SDB} = V_{CC}$		5.2		mA
I_{SD}	Shutdown current	$V_{SDB} = 0V$ or software shutdown		1		μA
I_{OUT}	Average output current	PWM Control Mode, $V_{DS}=0.6V$ PWM duty cycle=0xFF, 03h=0x70		21 (Note 1)		mA
		Audio Frame Mode, $V_{DS}=0.6V$ $V_{IN} = 3V_{p-p}$, 1kHz square wave Audio gain=0dB		18 (Note 1)		
V_{HR}	Current sink headroom voltage (when use as GPIO output ports)	$I_{OUT} = 20mA$		400		mV
f_{PWM}	PWM frequency of output			26		kHz

Logic Electrical Characteristics (SDB, SDA, SCL, AD, INTB)

V_{IL}	Logic “0” input voltage	$V_{CC} = 2.7V$			0.4	V
V_{IH}	Logic “1” input voltage	$V_{CC} = 5.5V$	1.4			V
I_{IL}	Logic “0” input current	$V_{IN} = 0V$ (Note 2,3)		5		nA
I_{IH}	Logic “1” input current	$V_{IN} = V_{CC}$ (Note 2,3)		5		nA

IS31FL3216A

DIGITAL INPUT SWITCHING CHARACTERISTICS (Note 3)

Symbol	Parameter	Condition	Min.	Typ.	Max.	Unit
f_{SCL}	Serial-Clock frequency				400	kHz
t_{BUF}	Bus free time between a STOP and a START condition		1.3			μ s
$t_{HD, STA}$	Hold time (repeated) START condition		0.6			μ s
$t_{SU, STA}$	Repeated START condition setup time		0.6			μ s
$t_{SU, STO}$	STOP condition setup time		0.6			μ s
$t_{HD, DAT}$	Data hold time				0.9	μ s
$t_{SU, DAT}$	Data setup time		100			ns
t_{LOW}	SCL clock low period		1.3			μ s
t_{HIGH}	SCL clock high period		0.7			μ s
t_R	Rise time of both SDA and SCL signals, receiving	(Note 4)		$20+0.1C_b$	300	ns
t_F	Fall time of both SDA and SCL signals, receiving	(Note 4)		$20+0.1C_b$	300	ns

Note 1: The average output current of each channel is I_{OUT} .

Note 2: All LEDs are on.

Note 3: Guaranteed by design.

Note 4: C_b = total capacitance of one bus line in pF. $I_{SINK} \leq 6mA$. t_R and t_F measured between $0.3 \times V_{CC}$ and $0.7 \times V_{CC}$.

IS31FL3216A

DETAILED DESCRIPTION

I2C INTERFACE

The IS31FL3216A uses a serial bus, which conforms to the I2C protocol, to control the chip's functions with two wires: SCL and SDA. The IS31FL3216A has a 7-bit slave address (A7:A1), followed by the R/W bit, A0. Set A0 to "0" for a write command and set A0 to "1" for a read command. The value of bits A1 and A2 are decided by the connection of the AD pin.

The complete slave address is:

Table 1 Slave Address

Bit	A7:A3	A2:A1	A0
Value	11101	AD	1/0

AD connected to GND, AD = 00;
 AD connected to VCC, AD = 11;
 AD connected to SCL, AD = 01;
 AD connected to SDA, AD = 10;

The SCL line is uni-directional. The SDA line is bi-directional (open-collector) with a pull-up resistor (typically 4.7kΩ). The maximum clock frequency specified by the I2C standard is 400kHz. In this discussion, the master is the microcontroller and the slave is the IS31FL3216A.

The timing diagram for the I2C is shown in Figure 3. The SDA is latched in on the stable high level of the SCL. When there is no interface activity, the SDA line should be held high.

The "START" signal is generated by lowering the SDA signal while the SCL signal is high. The start signal will alert all devices attached to the I2C bus to check the incoming address against their own chip address.

The 8-bit chip address is sent next, most significant bit first. Each address bit must be stable while the SCL level is high.

After the last bit of the chip address is sent, the master checks for the IS31FL3216A's acknowledge. The master releases the SDA line high (through a pull-up

resistor). Then the master sends an SCL pulse. If the IS31FL3216A has received the address correctly, then it holds the SDA line low during the SCL pulse. If the SDA line is not low, then the master should send a "STOP" signal (discussed later) and abort the transfer.

Following acknowledge of IS31FL3216A, the register address byte is sent, most significant bit first. IS31FL3216A must generate another acknowledge indicating that the register address has been received.

Then 8-bit of data byte are sent next, most significant bit first. Each data bit should be valid while the SCL level is stable high. After the data byte is sent, the IS31FL3216A must generate another acknowledge to indicate that the data was received.

The "STOP" signal ends the transfer. To signal "STOP", the SDA signal goes high while the SCL signal is high.

ADDRESS AUTO INCREMENT

To write multiple bytes of data into IS31FL3216A, load the address of the data register that the first data byte is intended for. During the IS31FL3216A acknowledge of receiving the data byte, the internal address pointer will increment by one. The next data byte sent to IS31FL3216A will be placed in the new address, and so on. The auto increment of the address will continue as long as data continues to be written to IS31FL3216A (Figure 6).

READING PORT REGISTERS

To read the device data, the bus master must first send the IS31FL3216A address with the R/W bit set to "0", followed by the command byte, which determines which register is accessed. After a restart, the bus master must then send the IS31FL3216A address with the R/W bit set to "1". Data from the register defined by the command byte is then sent from the IS31FL3216A to the master (Figure 7).

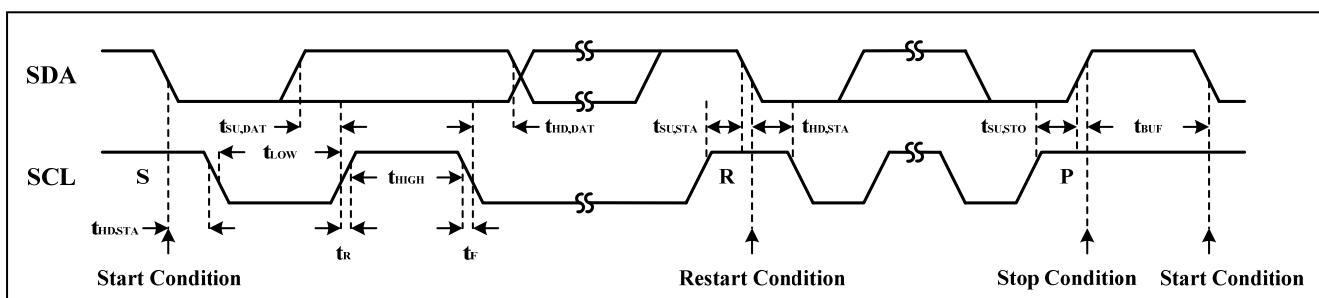


Figure 3 Interface timing

IS31FL3216A

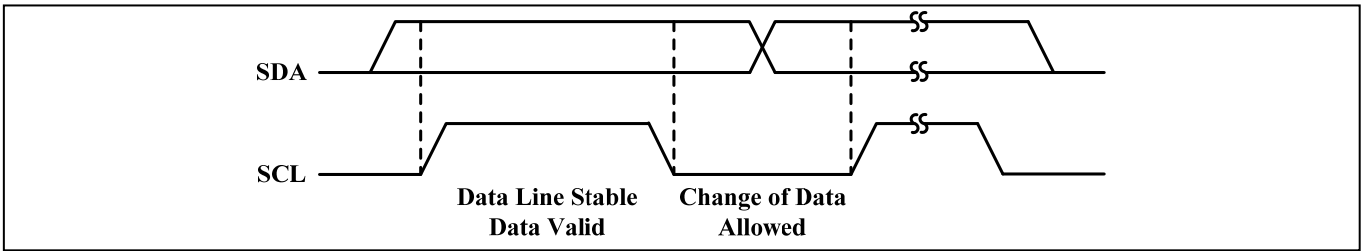


Figure 4 Bit transfer

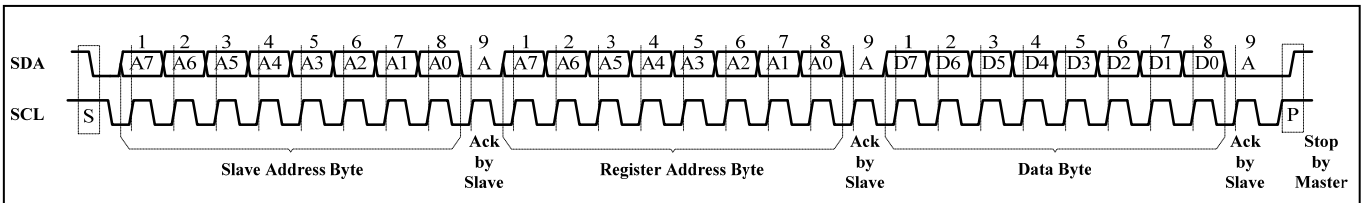


Figure 5 Writing to IS31FL3216A (Typical)

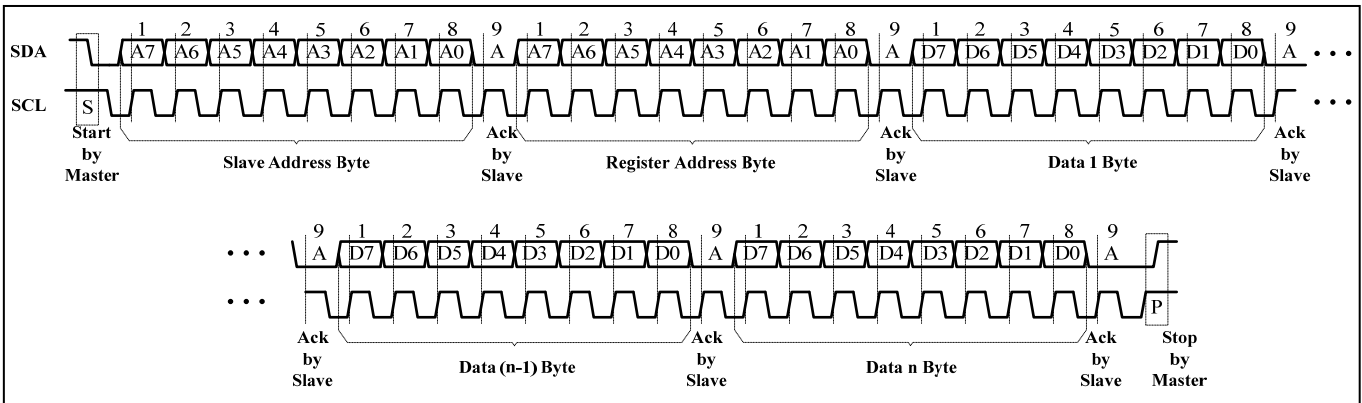


Figure 6 Writing to IS31FL3216A (Automatic Address Increment)

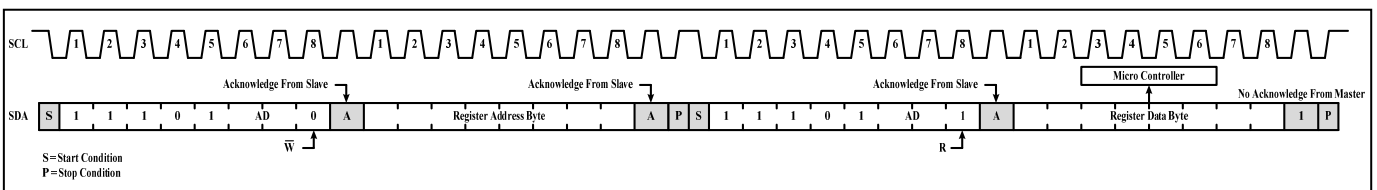


Figure 7 Reading from IS31FL3216A

IS31FL3216A

REGISTER DEFINITION

Table 2 Register Function

Address	Name	Function	Table	R/W	Default
00h	Configuration Register	Set the operating mode of IS31FL3216A	3	W	1000 0000
01h	LED Control Register	OUT9~OUT16 enable bit	4	W	1111 1111
02h		OUT1~OUT8 enable bit	5	W	
03h	Lighting Effect Register	Set the output current and the audio gain	6	W	0000 0000
04h	Channel Configuration Register	Set the operating mode of OUT9~OUT16	7	W	
05h	GPIO Configuration Register	Set the operating mode of OUT9~OUT16 as the GPIO port	8	W	
06h	Output Port Register	Set the logic level of OUT9~OUT16 as the output port	9	W	
07h	Interrupt Control Register	Set the interrupt function of OUT9~OUT16	10	W	
08h	State Register	Store the state of OUT9~OUT16 as the input port	11	R	
09h	ADC Sample Rate Register	Set the ADC sample rate of the input signal	12	W	0000 0000
10h~1Fh	PWM Register	Set the PWM duty cycle data	13	W	-
20h~AFh	Frame Register	Store the data of 8 frames	14	W	
B0h	Update Register	Load PWM Register data	-	W	xxxx xxxx
B6h	Frame Delay Register	Set the delay time between each frame	15	W	0000 0000
B7h	Frame Start Register	Set the start frame in Auto Frame Play Mode	16	W	

Table 3 00h Configuration Register

Bit	D7	D6:D5	D4	D3:D0
Name	SSD	MODE	AE	-
Default	1	00	0	0000

The Configuration Register sets the operating mode of IS31FL3216A.

SSD Software Shutdown Enable
 0 Normal operation
 1 Software shutdown mode

MODE Operation Mode Selection
 00 PWM Control Mode
 01 Auto Frame Play Mode
 10 Audio Frame Mode
 11 Not available

AE Audio Modulated Enable
 0 Output current is set by register
 1 Output current is modulated by audio signal

Table 4 01h LED Control Register (OUT9~OUT16)

Bit	D7:D0
Name	OUT16:OUT9
Default	1111 1111

Table 5 02h LED Control Register (OUT1~OUT8)

Bit	D7:D0
Name	OUT8:OUT1
Default	1111 1111

The LED Control Registers store the on or off state of each channel.

OUTx LED State
 0 LED off
 1 LED on

IS31FL3216A

Table 6 03h Lighting Effect Register

Bit	D7	D6:D4	D3	D2:D0
Name	CM	CS	AGCE	AGS
Default	0	000	0	000

The Lighting Effect Register sets the output current and the audio gain.

CM	Chip Cascade Mode
0	Master Mode
1	Slave Mode
CS	Output Current Selection
000	$I_{LED} \times 1.0$
001	$I_{LED} \times 0.75$
010	$I_{LED} \times 0.5$
011	$I_{LED} \times 0.25$
100	$I_{LED} \times 2.0$
101	$I_{LED} \times 1.75$
110	$I_{LED} \times 1.5$
111	$I_{LED} \times 1.25$

The I_{LED} is set by the resistor R_{EXT} . Please refer to Page 14 for detail information.

AGCE	AGC Enable
0	Enable
1	Disable
AGS	Audio Gain Selection
000	0dB
001	3dB
010	6dB
011	9dB
100	12dB
101	15dB
110	18dB
111	21dB

Table 7 04h Channel Configuration Register (OUT9~OUT16)

Bit	D7:D0
Name	OUT16:OUT9
Default	0000 0000

Configure the operating mode of OUT9~OUT16. If any port is set as GPIO, the Lighting Effect Register will be unavailable for the port.

OUTx	Channel Configuration
0	LED output
1	GPIO port

Table 8 05h GPIO Configuration Register (OUT9~OUT16)

Bit	D7:D0
Name	OUT16:OUT9
Default	0000 0000

Set the state of OUT9~OUT16 as the GPIO port.

OUTx	GPIO Configuration
0	Output port
1	Input port

Table 9 06h Output Configuration Register (OUT9~OUT16)

Bit	D7:D0
Name	OUT16:OUT9
Default	0000 0000

Set the logic level of OUT9~OUT16 as the output port.

OUTx	Output State
0	Output low
1	Output high

Table 10 07h Interrupt Control Register (OUT9~OUT16)

Bit	D7:D0
Name	OUT16:OUT9
Default	0000 0000

Set the interrupt function of OUT9~OUT16 as the input port.

OUTx	Interrupt Function Enable
0	Enable
1	Disable

Table 11 08h State Register (OUT9~OUT16)

Bit	D7:D0
Name	OUT16:OUT9
Default	xxxx xxxx

Store the input state of OUT9~OUT16 as the input port (Write only). The INTB pin will be pulled high until the MCU reads the data of State Register.

IS31FL3216A

Table 12 09h ADC Sample Rate Register

Bit	D7:D0
Name	SR
Default	0000 0000

The value of ADC Sample Rate Register decides the sample rate of ADC for Audio Frame Mode. The sample rate could be computed using the Formula (1):

$$SR = 100kHz / \sum_{n=0}^7 D[n] \cdot 2^n \quad (1)$$

Where “n” indicates the bit location in the respective ADC Sample Rate Register.

For example: D7:D0 = 10110100

$$SR = 100kHz / (2^2 + 2^4 + 2^5 + 2^7) = 556Hz$$

Table 13 10h~1Fh PWM Register (OUT16~OUT1)

Bit	D7:D0
Name	PWM
Default	0000 0000

The PWM Registers adjusts LED luminous intensity in 256 steps.

The value of a channel’s PWM Register decides the average output current for each output, OUT1~OUT16. The average output current may be computed using the Formula (2):

$$I_{OUT} = \frac{I_{MAX}}{256} \cdot \sum_{n=0}^7 D[n] \cdot 2^n \quad (2)$$

Where “n” indicates the bit location in the respective PWM Registers.

For example: D7:D0 = 10110101

$$I_{OUT} = I_{MAX} (2^0 + 2^2 + 2^4 + 2^5 + 2^7) / 256$$

I_{MAX} is set by the CS bit of Lighting Effect Register (03h).

Table 14 20h~AFh Frame Register Address List

Frame	LED Control Register	PWM Register
Frame 1	20h ~ 21h	22h ~ 31h
Frame 2	32h ~ 33h	34h ~ 43h
Frame 3	44h ~ 45h	46h ~ 55h
Frame 4	56h ~ 57h	58h ~ 67h
Frame 5	68h ~ 69h	6Ah ~ 79h
Frame 6	7Ah ~ 7Bh	7Ch ~ 8Bh
Frame 7	8Ch ~ 8Dh	8Eh ~ 9Dh
Frame 8	9Eh ~ 9Fh	A0h ~ AFh

Frame Registers store the data of 8 frames. Each frame is controlled by two LED Control Registers and sixteen PWM Registers.

The detail about the LED Control Register is shown in Table 4, 5 and the PWM Register is shown in Table 13.

B0h Update Register

The data sent to the PWM Register will be stored in temporary registers. A write operation of “0000 0000” to the Update Register is required to update the registers.

Table 15 B6h Frame Delay Register

Bit	D7:D5	D4:D0
Name	FDT	-
Default	000	00000

Set the delay time between each frame in Auto Frame Play Mode.

FDT	Frame Delay Time
000	4.87ms
001	9.5ms
010	19ms
011	38ms
100	76ms
101	152ms
110	304ms
111	608ms

Table 16 B7h Frame Start Register

Bit	D7:D5	D4:D0
Name	FS	-
Default	000	00000

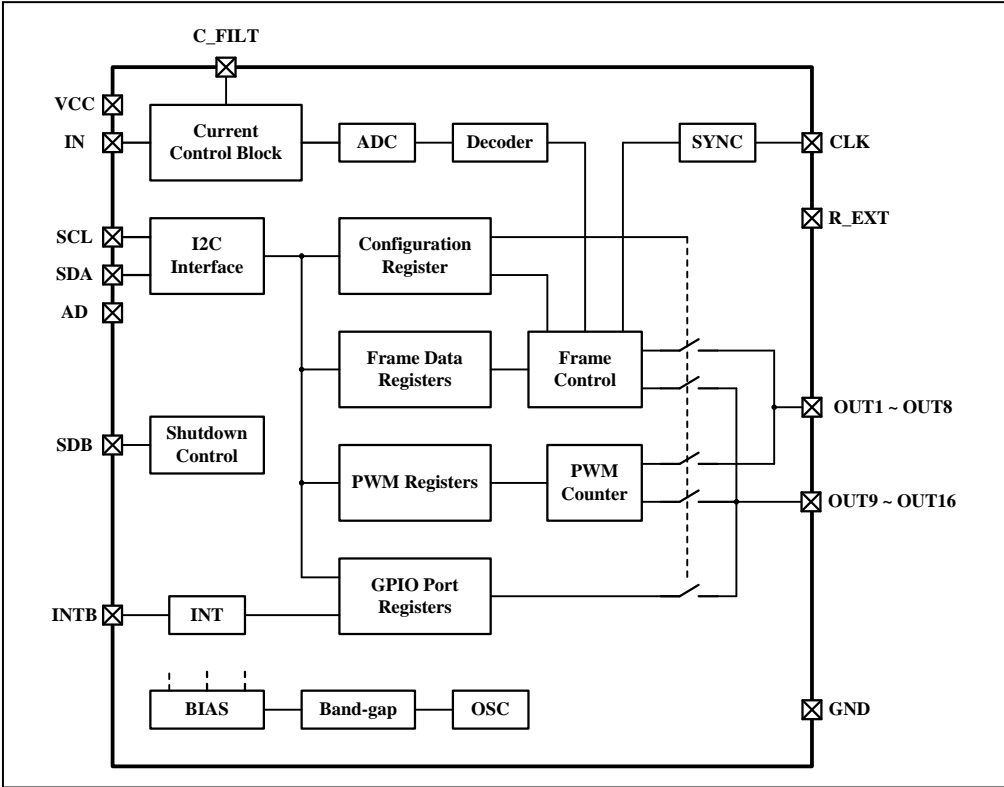
Set the start frame in Auto Frame Play Mode.

FS	Frame Start
000	Frame 1
001	Frame 2
010	Frame 3
011	Frame 4
100	Frame 5
101	Frame 6
110	Frame 7
111	Frame 8

For example, if FS bit sets to “011”, it plays from the fourth frame to the eighth frame then cycled back to the first frame.

IS31FL3216A

FUNCTIONAL BLOCK DIAGRAM



IS31FL3216A

APPLICATION INFORMATION

PWM CONTROL

By setting the MODE bit of the Configuration Register (00h) to “00”, IS31FL3216A operates in PWM Control Mode. The LED brightness of 16 channels can be modulated with 256 steps by PWM Registers. For example, if the data in PWM Register is “0000 0100”, then the PWM is the fourth step.

Writing new data continuously to the registers can modulate the brightness of the LEDs to achieve a breathing effect.

GAMMA CORRECTION

In order to perform a better visual LED breathing effect we recommend using a gamma corrected PWM value to set the LED intensity. This results in a reduced number of steps for the LED intensity setting, but causes the change in intensity to appear more linear to the human eye.

Gamma correction, also known as gamma compression or encoding, is used to encode linear luminance to match the non-linear characteristics of display. Since the IS31FL3216A can modulate the brightness of the LEDs with 256 steps, a gamma correction function can be applied when computing each subsequent LED intensity setting such that the changes in brightness matches the human eye's brightness curve.

Table 17 32 Gamma Steps With 256 PWM Steps

C(0)	C(1)	C(2)	C(3)	C(4)	C(5)	C(6)	C(7)
0	1	2	4	6	10	13	18
C(8)	C(9)	C(10)	C(11)	C(12)	C(13)	C(14)	C(15)
22	28	33	39	46	53	61	69
C(16)	C(17)	C(18)	C(19)	C(20)	C(21)	C(22)	C(23)
78	86	96	106	116	126	138	149
C(24)	C(25)	C(26)	C(27)	C(28)	C(29)	C(30)	C(31)
161	173	186	199	212	226	240	255

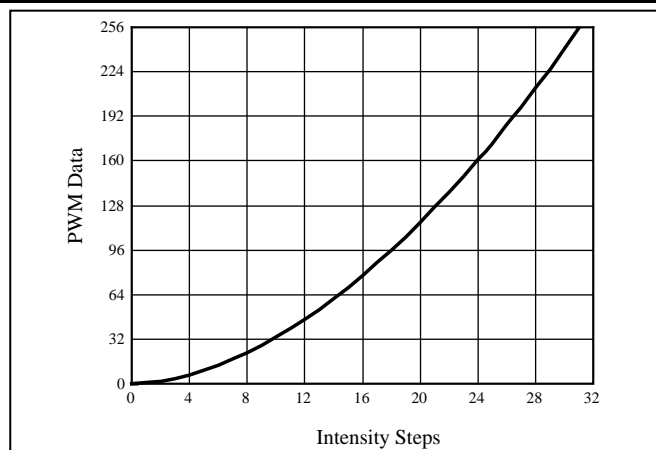


Figure 8 Gamma Correction (32 Steps)

Choosing more gamma steps provides for a more continuous looking breathing effect. This is useful for very long breathing cycles. The recommended configuration is defined by the breath cycle T. When T=1s, choose 32 gamma steps, when T=2s, choose 64 gamma steps. The user must decide the final number of gamma steps not only by the LED itself, but also based on the visual performance of the finished product.

Table 18 64 Gamma Steps With 256 PWM Steps

C(0)	C(1)	C(2)	C(3)	C(4)	C(5)	C(6)	C(7)
0	1	2	3	4	5	6	7
C(8)	C(9)	C(10)	C(11)	C(12)	C(13)	C(14)	C(15)
8	10	12	14	16	18	20	22
C(16)	C(17)	C(18)	C(19)	C(20)	C(21)	C(22)	C(23)
24	26	29	32	35	38	41	44
C(24)	C(25)	C(26)	C(27)	C(28)	C(29)	C(30)	C(31)
47	50	53	57	61	65	69	73
C(32)	C(33)	C(34)	C(35)	C(36)	C(37)	C(38)	C(39)
77	81	85	89	94	99	104	109
C(40)	C(41)	C(42)	C(43)	C(44)	C(45)	C(46)	C(47)
114	119	124	129	134	140	146	152
C(48)	C(49)	C(50)	C(51)	C(52)	C(53)	C(54)	C(55)
158	164	170	176	182	188	195	202
C(56)	C(57)	C(58)	C(59)	C(60)	C(61)	C(62)	C(63)
209	216	223	230	237	244	251	255

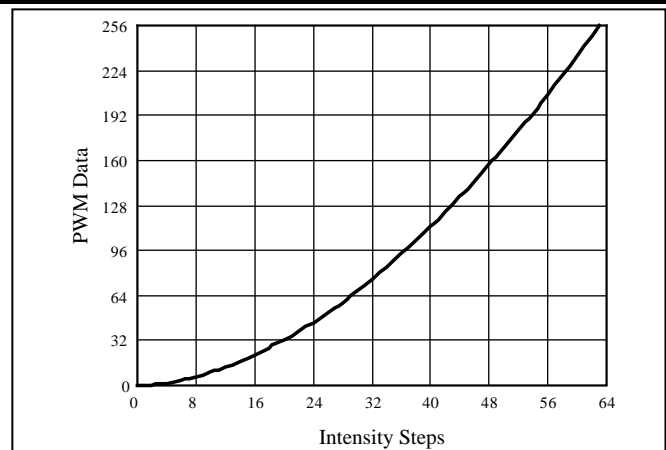


Figure 9 Gamma Correction (64 Steps)

Note, the data of 32 gamma steps is the standard value and the data of 64 gamma steps is the recommended value.

IS31FL3216A

AUTO FRAME PLAY MODE

By setting the MODE bit of the Configuration Register (00h) to “01”, the IS31FL3216A operates in Auto Frame Play Mode. It stores data of 8 frames and automatically plays in order. Customers can configure the delay time between each two frames and the first playing frame by setting the Frame Delay Register (B6h) and the Frame Start Register (B7h).

AUDIO FRAME MODE

By setting the MODE bit of the Configuration Register (00h) to “10”, the IS31FL3216A operates in Audio Frame Mode. It stores data of 8 frames and the 8 frames playing follow the input signal. 09h register is used to set the ADC sample rate for the input signal to control frames playing. It plays the first frame when the value is the smallest and plays the eighth frame when the value is the biggest (See Table 14).

AUDIO MODULATED MODE AND GAIN SETTING

By setting the AE bit of the Configuration Register (00h) to “1”, IS31FL3216A operates in Audio Modulated Mode. The intensity of LEDs is adjusted by the input signal. The audio input gain can be set by the Lighting Effect Register (03h).

CHANNEL MODE SETTING

IS31FL3216A has 16 channels for LEDs output. OUT9~OUT16 also can be set as GPIO ports. By setting the OUTx bit of the Channel Configuration Register (04h) to “1”, the corresponding channel will be used as GPIO port. When the OUTx is set to “0”, the corresponding channel will be used as LED output.

CASCADE FOR SYNCHRONIZATION OF CHIPS

Operating in the cascade mode can make two chips synchronize. By setting the CM bit of the Lighting Effect Register (03h) to “0”, IS31FL3216A operates as a master. The CLK pin offers the output clock signal. When the CM bit sets to “1”, IS31FL3216A operates as a slave. The CLK pin as a clock input pin. If there is only one chip to use, setting CM bit to “0” and the CLK pin should be floating.

INTERRUPT FUNCTION

When OUT9~OUT16 configure as input port and the interrupt function enabled, the INTB pin is available. If any input port of OUT9~OUT16 has state changing, the INTB pin will be pulled low. The MCU can get the information via reading the State Register (08h). The INTB will be back to high until the MCU reading the State Register (08h).

R_{EXT}

The output current of each LED channel can be adjusted by the external resistor on pin 28, R_{EXT}, as described in Formula (3).

$$I_{LED}[mA] = \frac{1.2}{R_{EXT}[k\Omega]} \times 1400 \quad (3)$$

For example, in Figure 1, R_{EXT} = 100kΩ,

$$\text{So } I_{LED} = \frac{1.2}{100} \times 1400 = 16.8mA$$

The recommended minimum value of R_{EXT} is 100kΩ. Smaller R_{EXT} values will result in a per channel current whose total will exceed the absolute maximum package current rating causing thermal damage to the device.

The I_{LED} defines the I_{MAX} value which is set by the CS bit of Lighting Effect Register (03h). And the average output current of each output, I_{OUT}, is calculated by the I_{MAX} and PWM Register as Formula (2) in Table 13.

PWM FREQUENCY

The IS31FL3216A output channels operate with a default PWM frequency of 26kHz. Because all the OUTx channels are synchronized, the DC supply will experience large instantaneous current surges when the OUTx channels turn ON. These current surges will generate an AC ripple on the power supply which cause stress to the decoupling capacitors.

When the AC ripple is applied to a monolithic ceramic capacitor chip (MLCC) it will expand and contract causing the PCB to flex and generate audible hum in the range of between 20Hz to 20kHz. To avoid this hum, there are many countermeasures, such as selecting the capacitor type and value which will not cause the PCB to flex and contract.

Figure 10 below shows the variation of output PWM frequency across supply voltage and temperature.

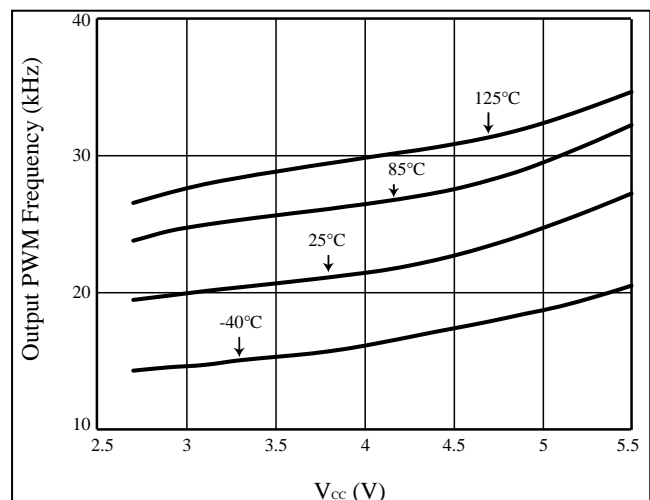


Figure 10 V_{CC} vs. Output PWM Frequency

SHUTDOWN MODE

Shutdown mode can either be used as a means of reducing power. During shutdown mode all registers

IS31FL3216A

retain their data and OUT9~OUT16 still can be available as GPIO port.

Software Shutdown

By setting SSD bit of the Configuration Register (00h) to "1", the IS31FL3216A will operate in software shutdown mode, wherein they consume only 1 μ A (Typ.) current. When the IS31FL3216A is in software shutdown mode, all current sources are switched off.

Hardware Shutdown

The chip enters hardware shutdown mode when the SDB pin is pulled low.

IS31FL3216A

CLASSIFICATION REFLOW PROFILES

Profile Feature	Pb-Free Assembly
Preheat & Soak	
Temperature min (T _{smin})	150°C
Temperature max (T _{smax})	200°C
Time (T _{smin} to T _{smax}) (t _s)	60-120 seconds
Average ramp-up rate (T _{smax} to T _p)	3°C/second max.
Liquidous temperature (T _L)	217°C
Time at liquidous (t _L)	60-150 seconds
Peak package body temperature (T _p)*	Max 260°C
Time (t _p)** within 5°C of the specified classification temperature (T _c)	Max 30 seconds
Average ramp-down rate (T _p to T _{smax})	6°C/second max.
Time 25°C to peak temperature	8 minutes max.

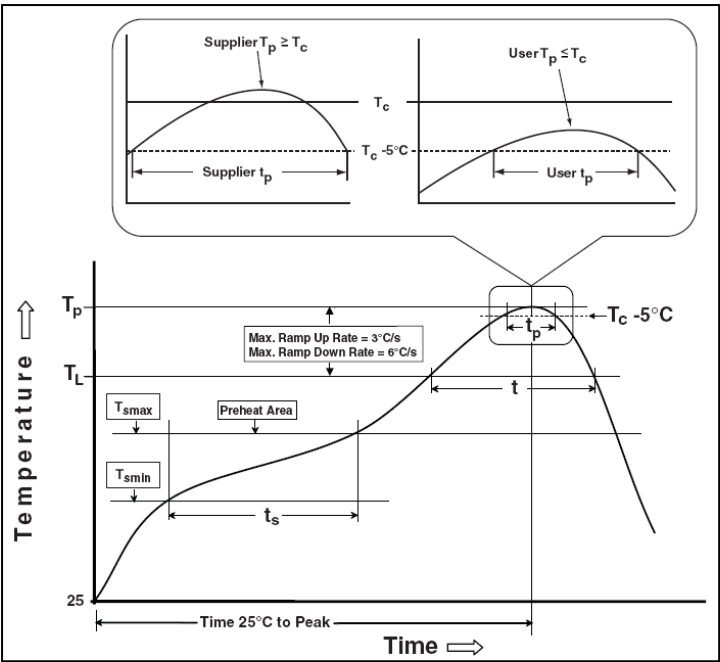
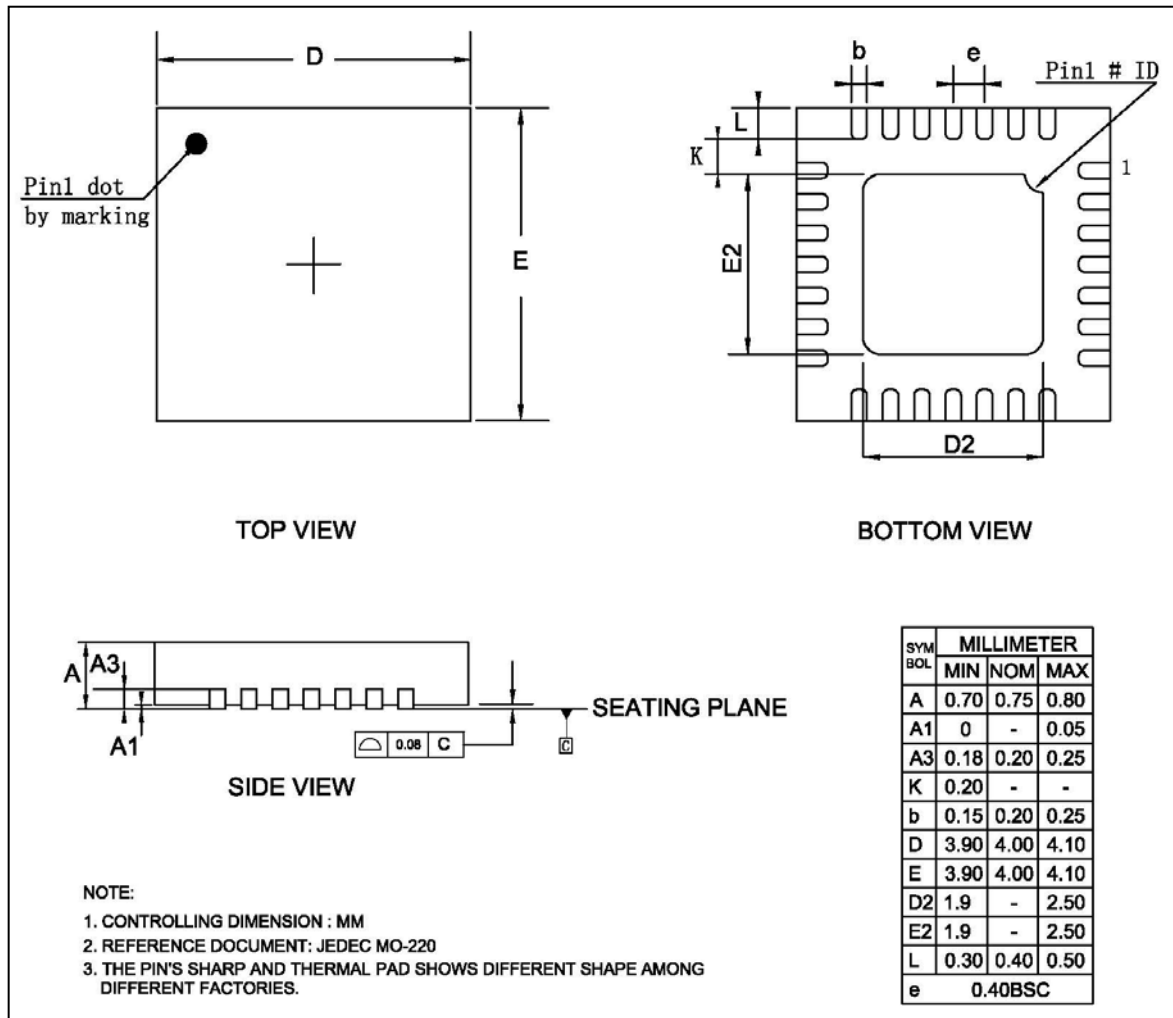


Figure 11 Classification profile

IS31FL3216A

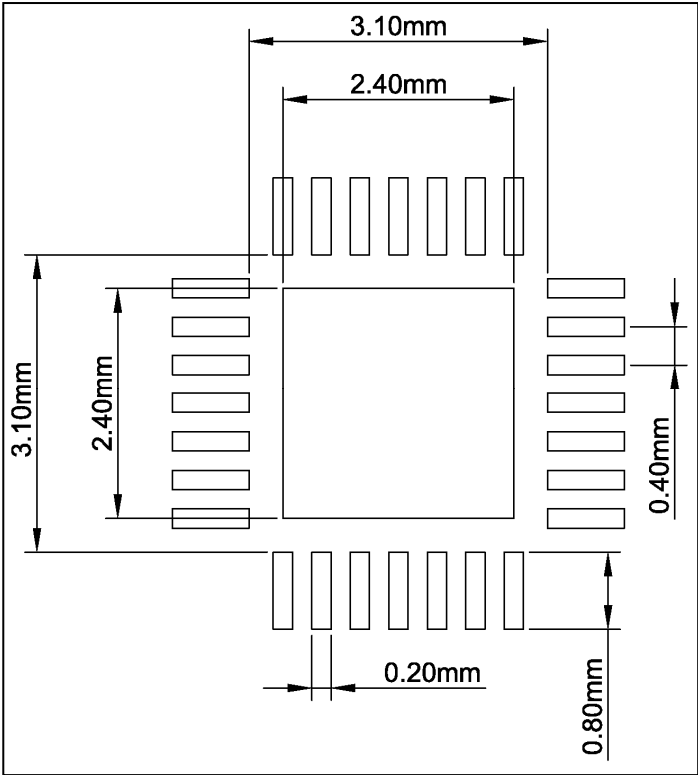
PACKAGE INFORMATION

QFN-28



IS31FL3216A

RECOMMENDED LAND PATTERN



Note:

1. Land pattern complies to IPC-7351.
2. All dimensions in MM.
3. This document (including dimensions, notes & specs) is a recommendation based on typical circuit board manufacturing parameters. Since land pattern design depends on many factors unknown (eg. user's board manufacturing specs), user must determine suitability for use.

IS31FL3216A



A Division of **ISSI**

REVISION HISTORY

Revision	Detail Information	Date
A	Initial release	2017.07.03

Mouser Electronics

Authorized Distributor

Click to View Pricing, Inventory, Delivery & Lifecycle Information:

[Lumissil:](#)

[IS31FL3216A-QFLS3-TR](#)