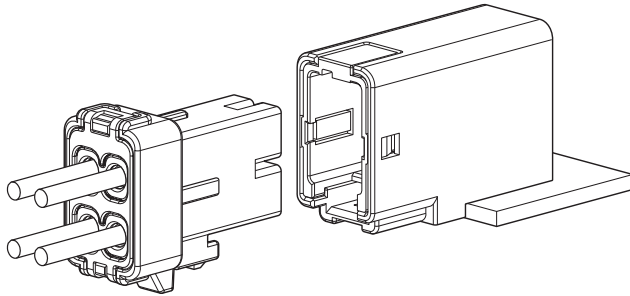


JWPS CONNECTOR

4.0 mm pitch/Wire-to-Board connectors/Crimp style and Mating style
(Combined use for both wire-to-board and wire-to-wire connections)



This JWPS connector can be used for the place of which especially waterproof is required.

This is a wire-to-board connector with water ingress protection with an IPX7 rating per IEC 60529 (grade 7 per JIS C 0920)

- Waterproof performance
- Contained seal ring
- Solid rubber seal
- Double-spring construction
- Housing-to-terminal locks
- Mis-mating prevention key

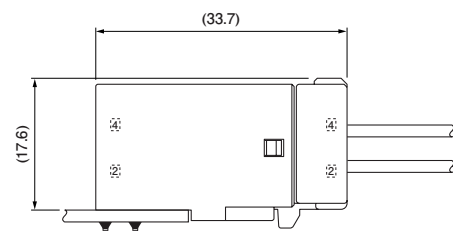
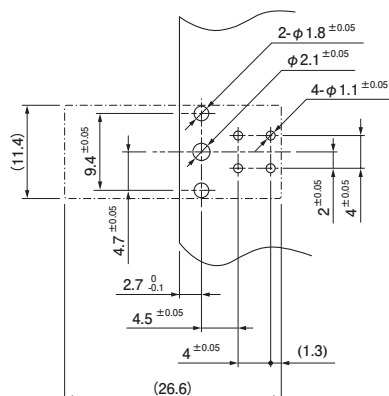
Standards

- Ⓜ : Recognized E60389
- △ : Certified R50218382

Specifications

- Current rating: 4 A AC/DC (AWG #22)
: 5 A AC/DC (AWG #20)
: 6 A AC/DC (AWG #18)
- Voltage rating: 300 V AC/DC
- Temperature range: -55°C to +85°C
(including temperature rise in applying electrical current)
- Applicable wire: Conductor size/ AWG #22 to #18
Insulation O.D./ 1.75 to 2.5 mm
- Applicable PC board thickness: 1.6 mm
- Waterproof grade: Water ingress protection with an IPX7 rating per IEC 60529 (grade 7 per JIS C 0920)
(*Since the waterproof performance is not available at the opposite side of mating entrance, waterproof treatment is required, if necessary.)
- * Please refer to the "Handling Precautions for Terminals and Connectors" on our website (listed in the "Technical Documents" column on the Product Information page) before use.
- * Dimensional unit: mm
- * RoHS2 Compliance
- * Contact JST for details.

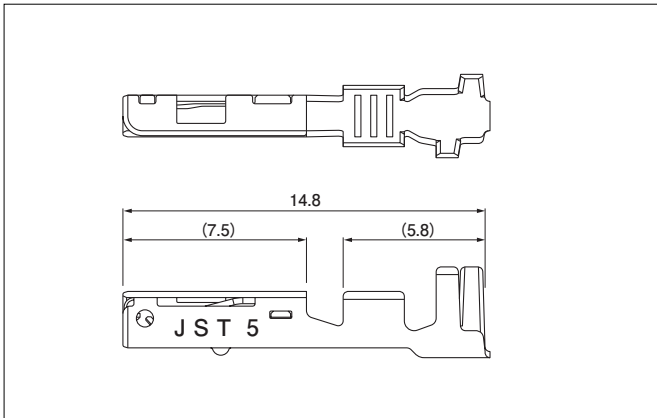
PC board layout and Assembly layout



Note: 1. The above figure is the figure viewed from the connector mounting side.
2. Hole dimensions differ according to the type of PC board and piercing method.
The dimensions above should serve as a guideline. Contact JST for details

JWPS CONNECTOR

Receptacle contact



Model No.	Applicable wire	Insulation O.D. (mm)	Q'ty/reel
	AWG#		
SJWPSR-21T-P1.0	22 to 18	1.75 to 2.5	4,500

Material and Finish

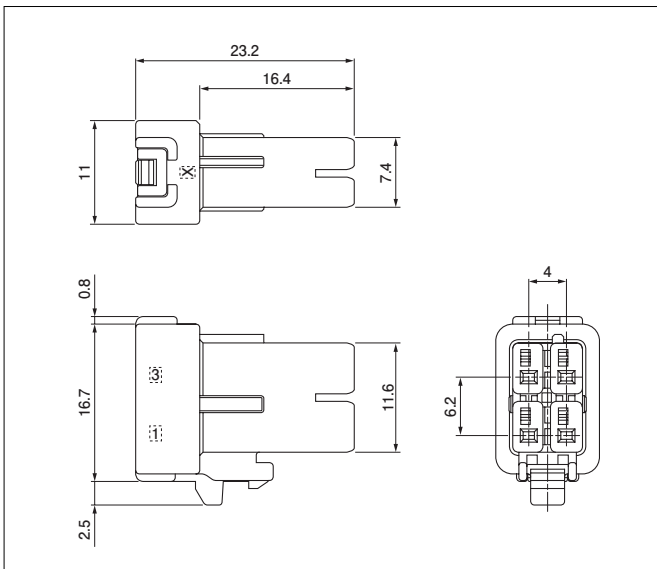
Copper alloy, tin-plated

RoHS2 compliance

Contact	Crimping machine	Applicator	
		Crimp applicator	Crimp applicator with dies
SJWPSR-21T-P1.0	AP-K2N	MKS-L	APLMK SJWPSR/T21-10

Note: Contact JST for fully automatic crimping applicator.

Receptacle housing assembly



No. of circuits	Keying	Model No.	Q'ty/box
4	X	04R-JWPS-VKLE-DX-A	400
	Y	04R-JWPS-VSLE-DY-A	400
	Z	04R-JWPS-VELE-DZ-A	400

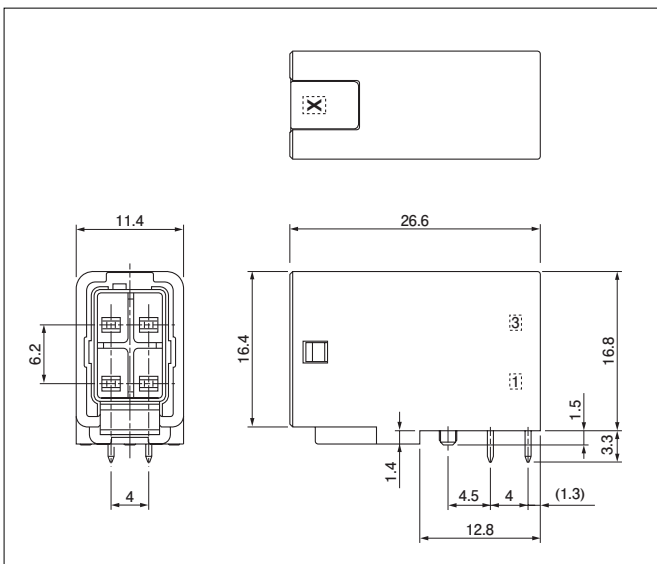
Material and Finish

Receptacle housing: Glass-filled PBT, UL94V-0, X-Keying (black), Y-Keying (natural), Z-Keying (blue)
 Retainer: PBT, UL94V-0, purple
 Seal rubber plate: Silicone rubber, light blue

RoHS2 compliance

Note: Seal rubber plate and retainer are preassembled in receptacle housing assembly.

Header housing assembly



No. of circuits	Keying	Model No.	Q'ty/box
4	X	S04B-JWPS-KKS-XR	160
	Y	S04B-JWPS-KSS-YR	160
	Z	S04B-JWPS-KES-ZR	160

Material and Finish

Header housing: Glass-filled PBT, UL94V-0, black
 Seal ring holder: Glass-filled PBT, UL94V-0, X-Keying (black), Y-Keying (natural), Z-Keying (blue)
 Seal ring: Silicone rubber, brown
 Tab contact: Copper alloy, tin-plated

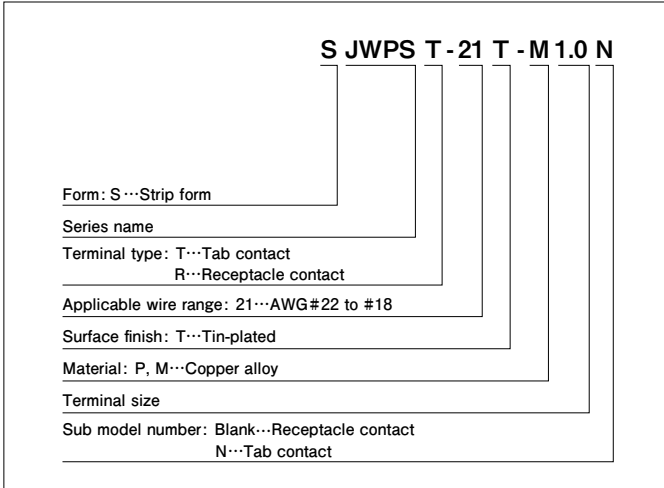
RoHS2 compliance

This product displays (LF)(SN) on a label.
 Note: Seal ring and seal ring holder are preassembled in header housing assembly.

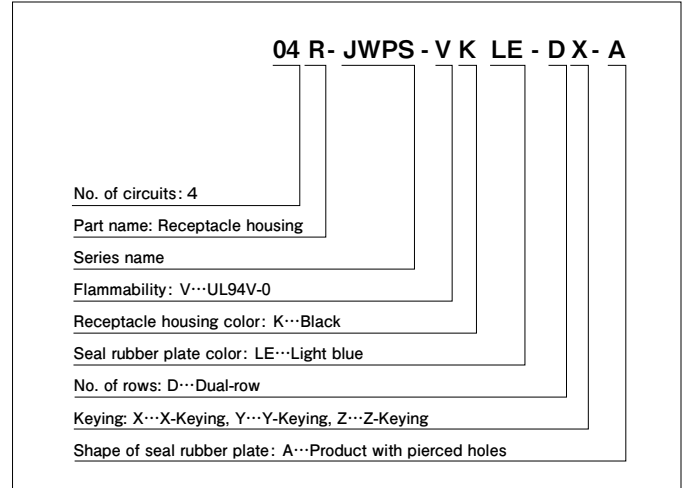
JWPS CONNECTOR

Model number allocation

Contact



Receptacle housing assembly



Header housing assembly

