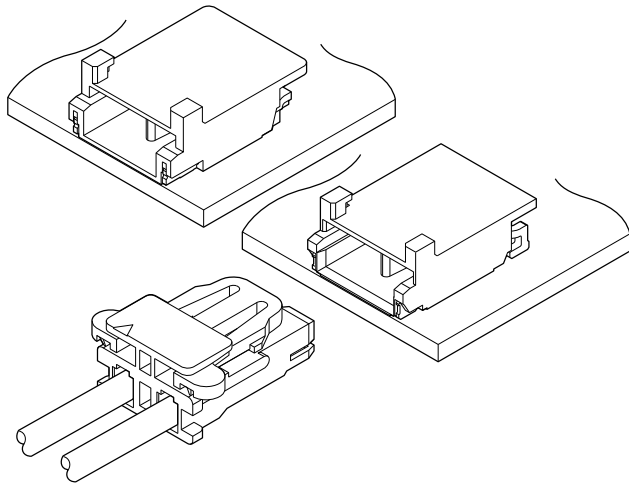


BD CONNECTOR (3.5mm)

3.5mm pitch/Disconnectable Crimp style connectors



Board-to-wire connector with high withstanding voltage, used for power supply of LCD (Liquid Crystal Display) back light.

- Secure locking mechanism
- High withstand voltage design
- Low profile
- Compatibility

Specifications

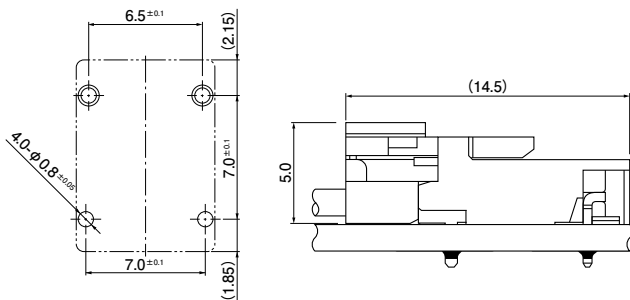
- Current rating: 1.0A AC, DC (AWG #24)
- Voltage rating: 1,400V AC, DC
- Temperature range: -25°C to +85°C
(including temperature rise in applying electrical current)
- Contact resistance: Initial value/10mΩ max.
After environmental testing/20mΩ max.
- Insulation resistance: 1,000MΩ min.
- Withstanding voltage: 3,000V AC/minute
- Applicable wire: AWG #28 to #24
- * Compliant with RoHS.
- * Refer to "General Instruction and Notice when using Terminals and Connectors" at the end of this catalog.
- * Contact JST for details.

Standards

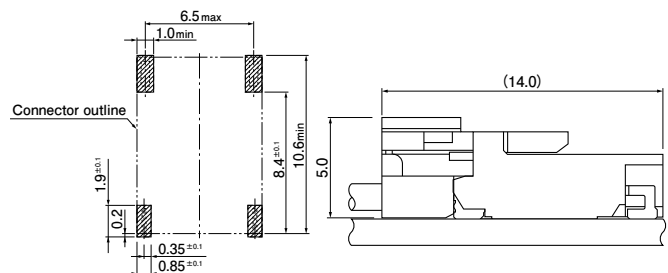
⚡ Recognized E60389

PC board layout (viewed from component side) and Assembly layout

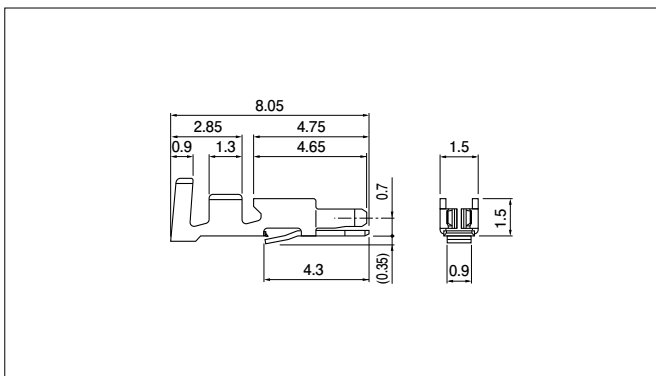
Through-hole type



SMT type



Contact



Model No.	Applicable wire		Insulation O.D. (mm)	Q'ty / reel
	mm ²	AWG#		
SBHS-002T-P0.5A	0.08 to 0.22	28 to 24	0.9 to 1.7	10,000

Material and Finish

Phosphor bronze, tin-plated (reflow treatment)

RoHS compliance

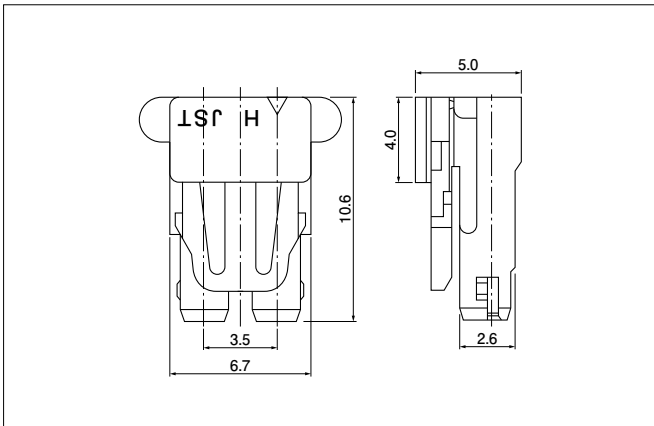
Note: Contact JST for the conventional product (SBHS-002T-P0.5).

Contact	Crimping machine	Applicator		
		Crimp applicator	Dies	Crimp applicator with dies
SBHS-002T-P0.5A	AP-K2N	MKS-L	MK/SBHS-002-05	APLMK SBHS002-05
		—	—	—

Note: Contact JST for fully automatic crimping applicator.

BD CONNECTOR (3.5mm)

Housing



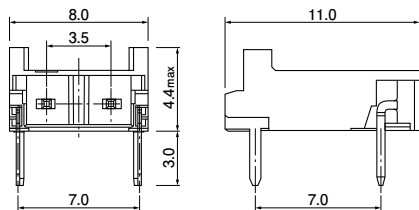
No. of circuits	Model No.	Q'ty / bag
2	BDMR-02VS-2	1,000

Material
PA 66, UL94V-0, natural (white)

RoHS compliance

Header

Through-hole type



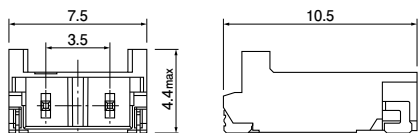
Through-hole type

No. of circuits	Model No.	Q'ty / box
2	S02-BDS-3-B	1,000

Material and Finish
Press pin: Brass, Copper-undercoated, tin-plated (reflow treatment) Wafer: Heat resisting resin, UL94V-0, natural (ivory) Solder tab: Brass, Copper-undercoated, tin-plated (reflow treatment)

RoHS compliance This product displays (LF)(SN) on a label.

SMT type



SMT type

No. of circuits	Model No.	Q'ty / reel
2	SM02-BDS-3-TB	1,000

Material and Finish
Post: Brass, Copper-undercoated, tin-plated (reflow treatment) Wafer: Heat resisting resin, UL94V-0, natural (ivory) Solder tab: Brass, Copper-undercoated, tin-plated (reflow treatment)

RoHS compliance This product displays (LF)(SN) on a label.
Note: The product listed above is supplied on embossed tape.

Model number allocation

Contact

S BHS - 002 T - P 0.5 A
Form: S...Strip form
Series name
Applicable wire range: 002...AWG #28 to AWG #24
Surface finish: T...Tin-plated (reflow treatment)
Material: P...Phosphor bronze
Terminal size
Shape: A...Type A

Housing

B D M R - 02 V S - 2
Series name
Product form: Socket
Part name: Receptacle
No. of circuits: 2
Flammability: V...UL94V-0
Color: S...Natural (White)
Shape: 2...With protrusion

Header

S M 02 - B D S - 3 - T B
Shape of assembled product: S...DIP side entry type SM...SMT side entry type
No. of circuits: 2
Series name
Color: S...Natural (Ivory)
Shape: 3...With locking mechanism, Without rib
Packaging style: TB...Embossed-taping B...Loose piece