



Part Number: D4C4450

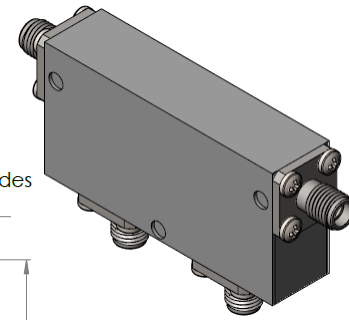
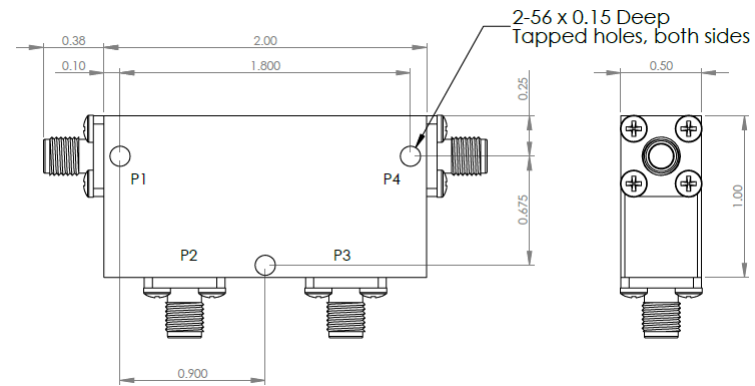
Electrical Specifications

Frequency Range (GHz):	4.4 - 5.0
Isolation (dB):	23 MIN (per junction)
Insertion Loss (dB):	0.3 MAX (per junction)
VSWR:	1.15:1 MIN
Forward Power (W):	20 AVG 50 PK

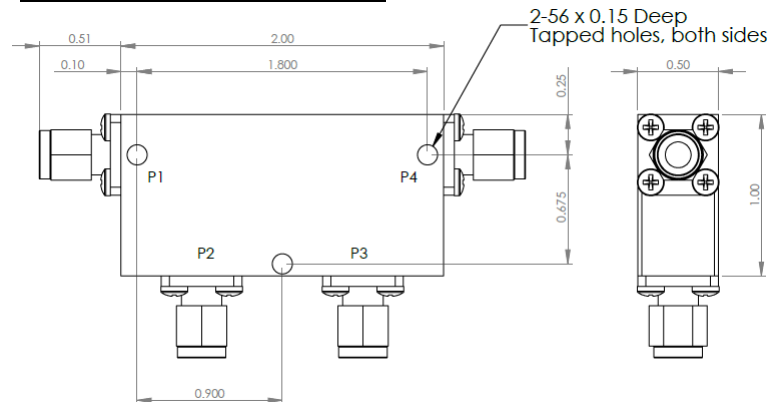
Mechanical/Environmental Specifications

Connector Type:	SMA
Connector Body:	Passivated stainless steel
Connector Pin:	Gold plated copper
Load Body:	Brass
Magnetic Shunt:	Nickel plated CRS
Operational Temp:	-30°C to +65°C
Weight (oz)	4.0 MAX

D4C4450 Dimensions



D4C4450-3 Dimensions



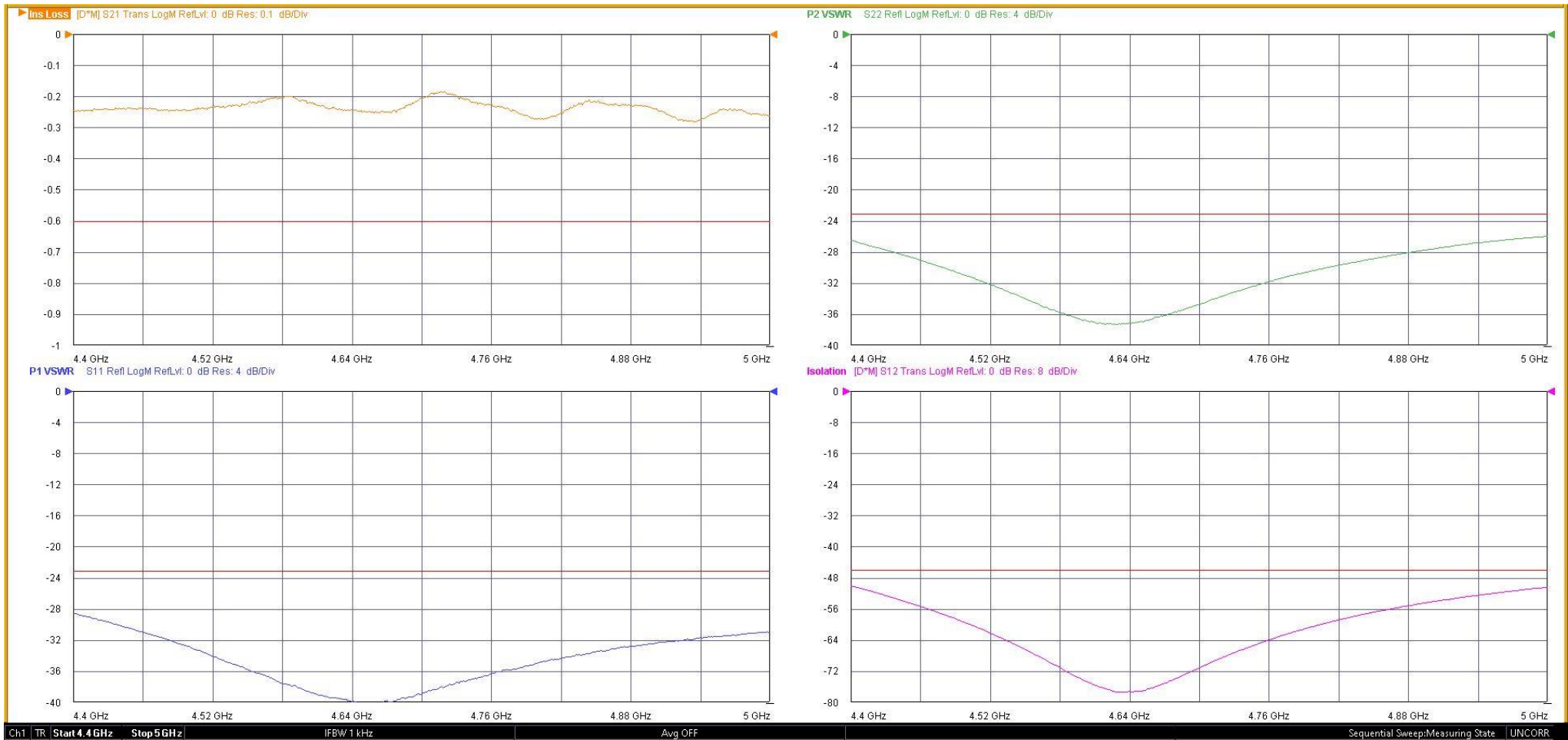
Dimensions are in inches
Tolerance
XX ±0.03
XXX ±0.010

Type of Device	PN Suffix	Connector Configuration Input / Output	PN Example
Dual Junction Circulator 4-Port Device Port 1 / Port 2 / Port 3 / Port 4	No Dash	Female / Female / Female / Female	D4C4450
	-1	Male / Female / Female / Female	D4C4450-1
	-2	Female / Male / Female / Female	D4C4450-2
	-3	Male / Male / Male / Male	D4C4450-3
	-4	Female / Female / Male / Female	D4C4450-4
	-5	Female / Female / Female / Male	D4C4450-5



MEASURED DATA

Part Number: D4C4450, P4→P1, P2 & P3 Terminated with 50Ω, +25°C



Mouser Electronics

Authorized Distributor

Click to View Pricing, Inventory, Delivery & Lifecycle Information:

[DiTom:](#)

[D4C4450](#) [D4C4450-1](#) [D4C4450-2](#) [D4C4450-3](#) [D4C4450-4](#) [D4C4450-5](#)