



## Part Number: D3C8012Y

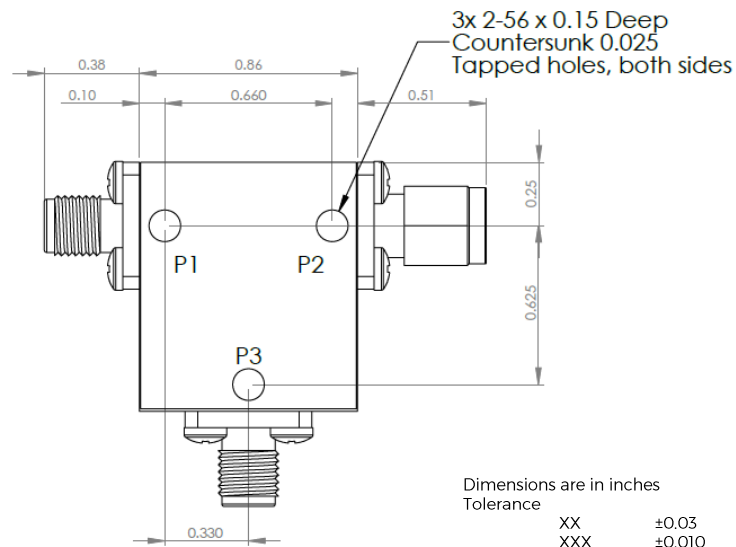
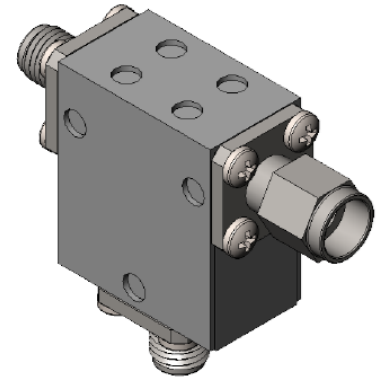
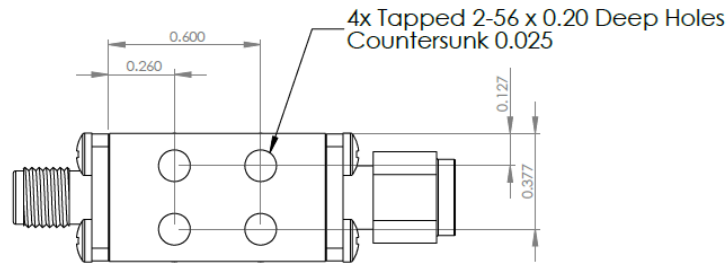
### Electrical Specifications

Frequency Range (GHz):	8.0	-	12.0
Isolation (dB):	20	MIN	
Insertion Loss (dB):	0.5	MAX	
Return Loss (dB):	20	MIN	
Forward Power (W):	25	AVG	
	500	PK	

### Mechanical/Environmental Specifications

Connector Type:	SMA
Connector Body:	Passivated stainless steel
Connector Pin:	Gold plated copper
Load Body:	Brass
Magnetic Shunt:	Nickel plated CRS
Operational Temp:	< 77K
Weight (oz)	1.0 MAX

### D3C8012Y-2 Dimensions

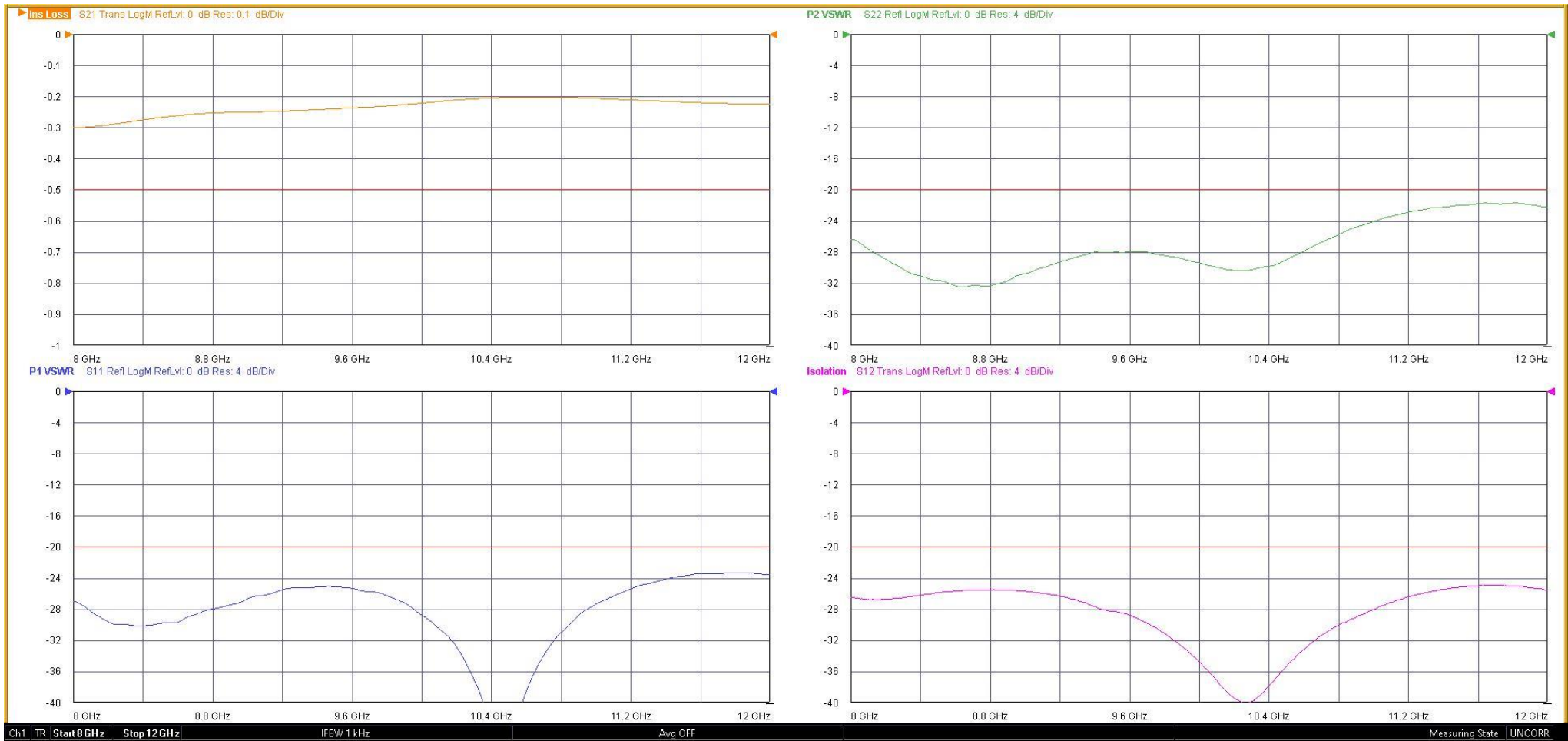


Type of Device	PN Suffix	Connector Configuration Input / Output	PN Example
Single Junction Circulator 3-Port Device Port 1 / Port 2 / Port 3	No Dash	Female / Female / Female	D3C8012Y
	-1	Male / Female / Female	D3C8012Y-1
	-2	Female / Male / Female	D3C8012Y-2
	-3	Male / Male / Male	D3C8012Y-3
	-4	Female / Female / Male	D3C8012Y-4
	-5	Male / Female / Male	D3C8012Y-5
	-6	Male / Male / Female	D3C8012Y-6
	-7	Female / Male / Male	D3C8012Y-7



## MEASURED DATA

Part Number: D3C8012Y, P1→P2, P3 Terminated with 50Ω, Measured at 77K



# Mouser Electronics

Authorized Distributor

Click to View Pricing, Inventory, Delivery & Lifecycle Information:

[DiTom:](#)

[D3C8012Y-1](#) [D3C8012Y-3](#) [D3C8012Y-2](#) [D3C8012Y-4](#) [D3C8012Y-6](#) [D3C8012Y](#) [D3C8012Y-7](#) [D3C8012Y-5](#)