



## Part Number: D3C2030

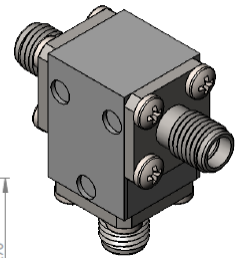
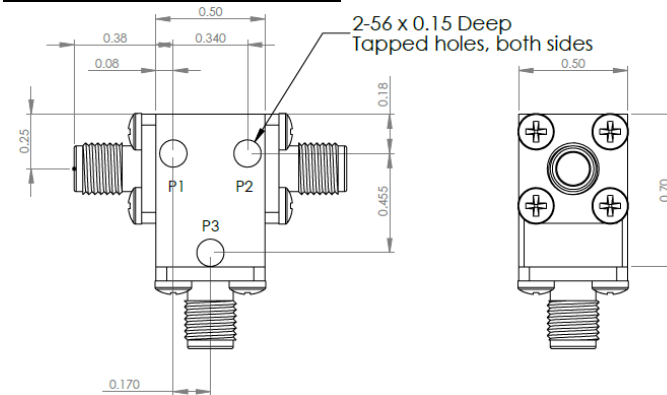
### Electrical Specifications

Frequency Range (GHz):	20.0 – 30.0
Isolation (dB):	16 MIN
Insertion Loss (dB):	0.7 MAX
VSWR:	1.4:1 MIN
Forward Power (W):	5 AVG 30 PK

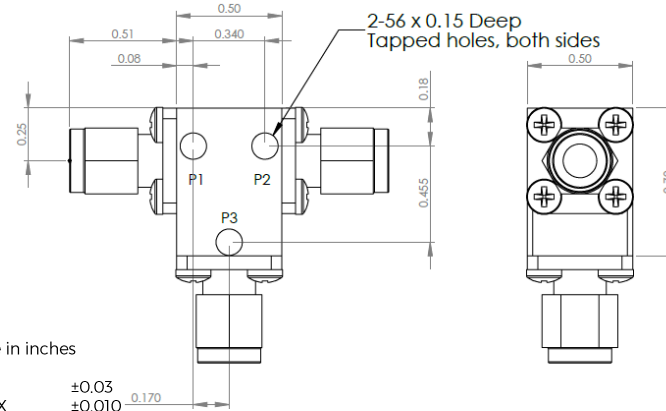
### Mechanical/Environmental Specifications

Connector Type:	K (2.9mm)
Connector Body:	Passivated stainless steel
Connector Pin:	Gold plated copper
Load Body:	Brass
Magnetic Shunt:	Nickel plated CRS
Operational Temp:	-20°C to +65°C
Weight (oz)	0.9 MAX

### D3C2030 Dimensions



### D3C2030-3 Dimensions

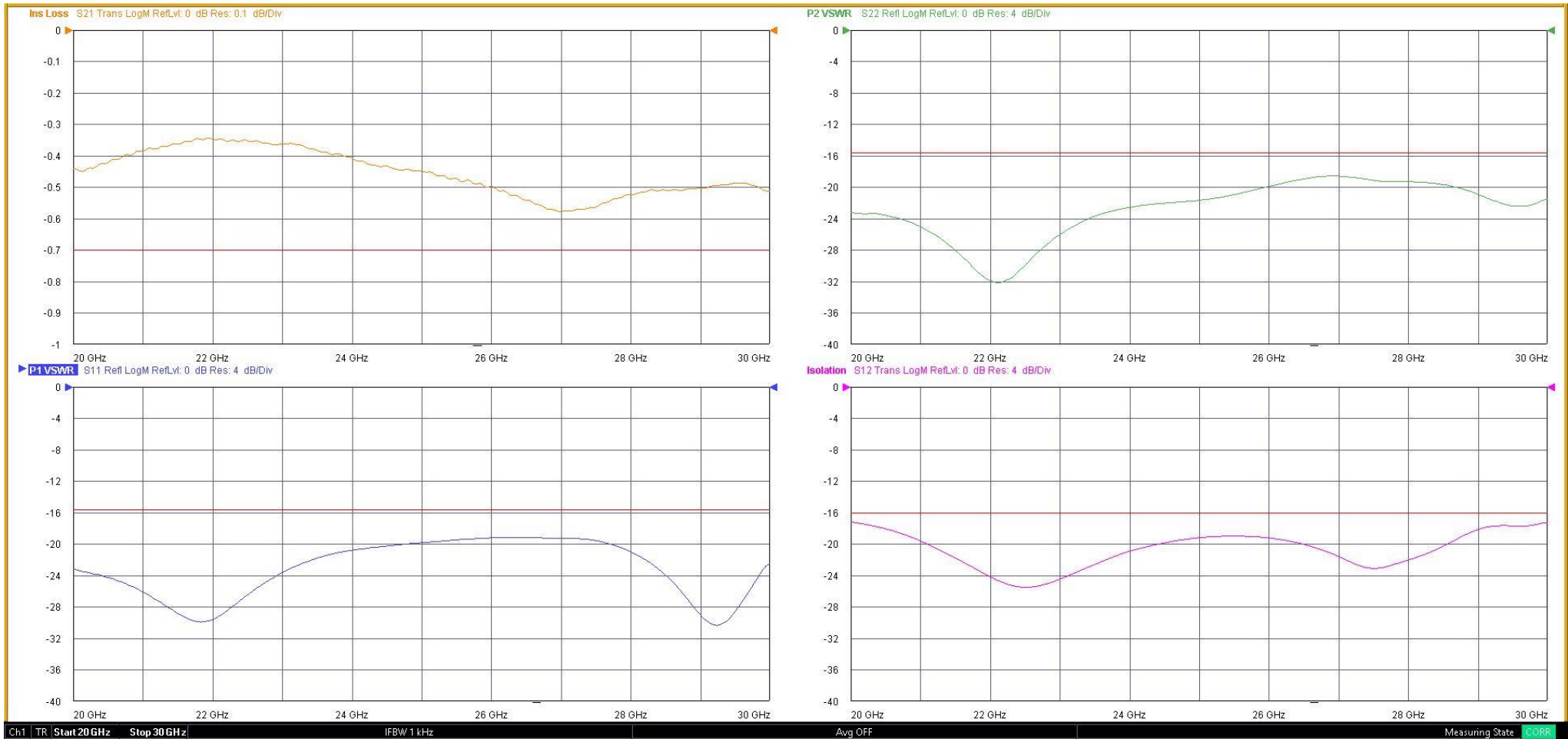


Type of Device	PN Suffix	Connector Configuration Input / Output	PN Example
Single Junction Circulator 3-Port Device Port 1 / Port 2 / Port 3	No Dash	Female / Female / Female	D3C2030
	-1	Male / Female / Female	D3C2030-1
	-2	Female / Male / Female	D3C2030-2
	-3	Male / Male / Male	D3C2030-3
	-4	Female / Female / Male	D3C2030-4
	-5	Male / Female / Male	D3C2030-5
	-6	Male / Male / Female	D3C2030-6
	-7	Female / Male / Male	D3C2030-7



## MEASURED DATA

Part Number: D3C2030, P1→P2, P3 Terminated with 50Ω, +25°C



# Mouser Electronics

Authorized Distributor

Click to View Pricing, Inventory, Delivery & Lifecycle Information:

[DiTom:](#)

[D3C2030](#) [D3C2030-1](#) [D3C2030-2](#) [D3C2030-3](#) [D3C2030-4](#) [D3C2030-5](#) [D3C2030-6](#) [D3C2030-7](#)