

General-purpose Type SPPB Series

| Photo | Dimensions | Mounting Hole Dimensions | Circuit Diagram | Packing Specifications |
 | Soldering Conditions |

PRINT

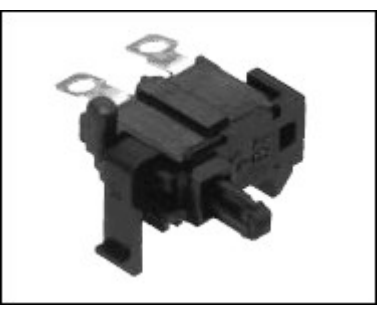
Part number	SPPB310400	
Operating direction	Horizontal	
Poles	1	
Positions	1	
Operation part shape	Push	
Terminal type	For Lead	
Operating force	0.35N max.	
Packaging style	Bulk	
Operating temperature range	-40°C to +85°C	
Rating (max.)/(min.) (Resistive load)	0.1A 30V DC/50μA 3V DC	
Electrical performance	Contact resistance (Initial/After operating life)	1Ω max./2Ω max.
	Insulation resistance	100MΩ min. 100V DC
	Voltage proof	100V AC for 1 minute
Mechanical performance	Terminal strength	3N for 1 minute
	Actuator strength	10N
Durability	Operating life without load	50,000 cycles 2Ω max.
	Operating life with load Rating (max.) (Resistive load)	50,000 cycles 2Ω max.
Environmental performance	Cold	-40°C 500h
	Dry heat	85°C 500h
	Damp heat	60°C, 90 to 95%RH 500h

Minimum order unit (pcs.)	Japan	100
	Export	10,000

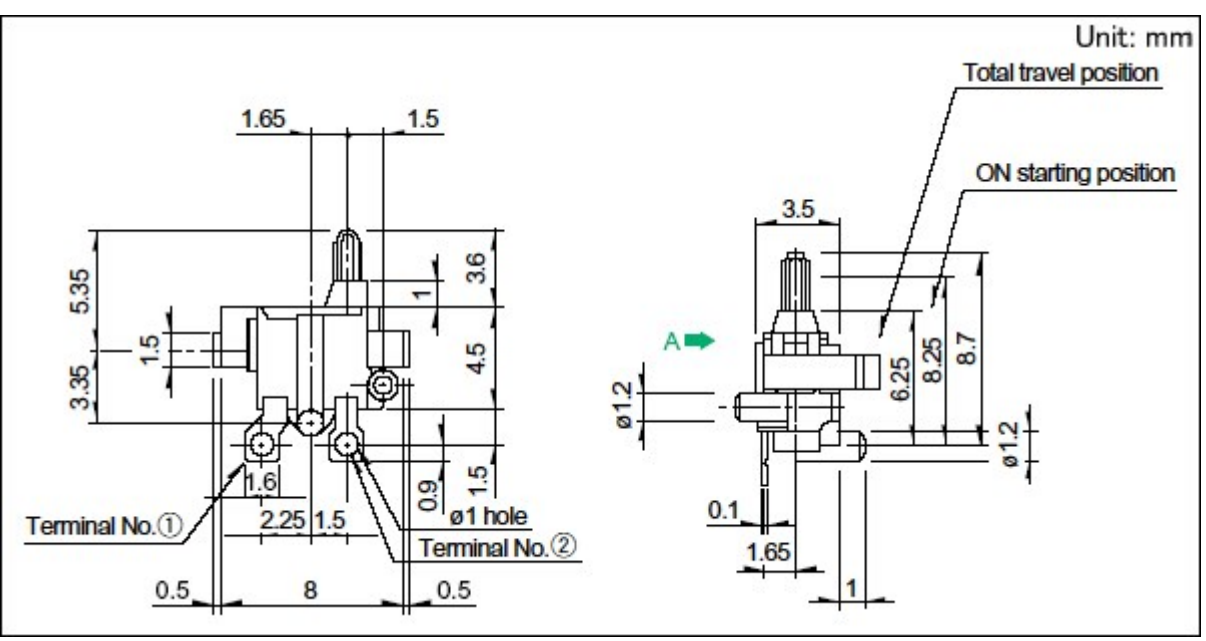
3D CAD (STEP) [↓](#)

Certificate of Compliance to RoHS regulations [↓](#)

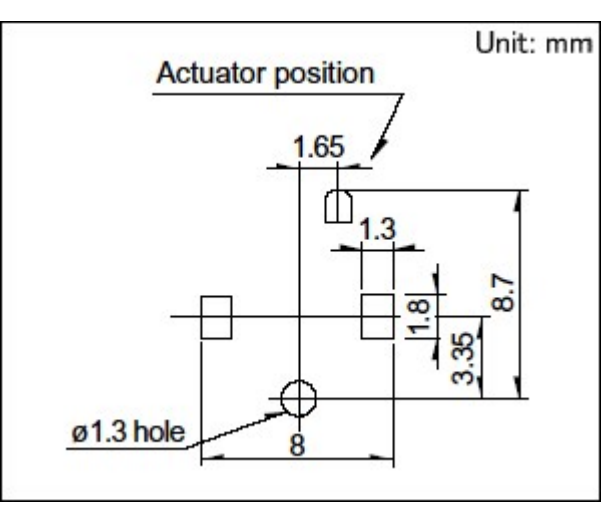
Photo



Dimensions

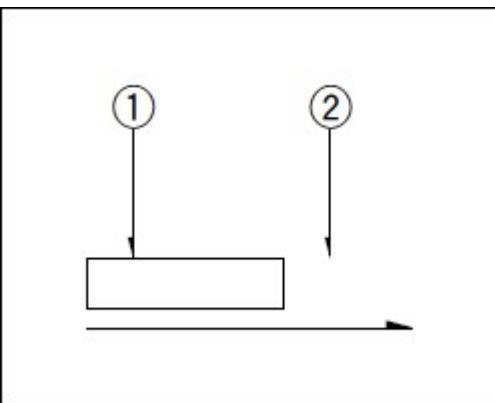


Mounting Hole Dimensions



Viewed from direction A in the dimensions.

Circuit Diagram



Packing Specifications

Bulk

Number of packages (pcs.) 1 case / Japan 2,000

1 case / export packing 10,000

Export package measurements (mm) 400×270×290

Soldering Conditions

Reference for Hand Soldering

Soldering temperature 350±5°C

Soldering time 5s max.

Notes are common to this series/models.

1. This site catalog shows only outline specifications. When using the products, please obtain formal specifications for supply.
2. Please place purchase orders per minimum order unit (integer).
3. This products can be used in vehicles.
Although these products are designed to perform over a wide operating temperature range, please ensure that you receive and read the formal delivery specifications before use.

Inquiries about Products

[▶ Inquiry](#)

Mouser Electronics

Authorized Distributor

Click to View Pricing, Inventory, Delivery & Lifecycle Information:

[Alps Alpine:](#)

[SPPB310400](#)