

Water-proof Type SPVQ1 Series

| Photo | Dimensions | Circuit Diagram | Packing Specifications |

PRINT

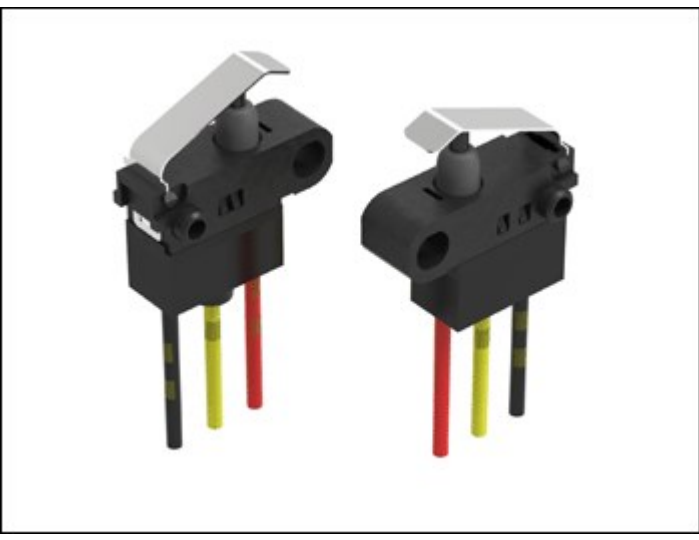
Part number	SPVQ111700	
Poles	1	
Positions	2	
Changeover timing	Non shorting	
Operation part shape	Actuator B	
Terminal type	With wire	
Operating force	5.9N max.	
Main body form	With a screw hole	
Operating temperature range	-40°C to +85°C	
Rating (max.)/(min.) (Resistive load)	0.1A 12V DC/50μA 3V DC	
Electrical performance	Contact resistance (Initial/After operating life)	500mΩ max./1Ω max.
	Insulation resistance	100MΩ min. 500V DC
	Voltage proof	500V AC for 1 minute
Mechanical performance	Wire strength	30N for 1 minute
	Actuator strength	20N
Durability	Operating life without load	300,000 cycles 1Ω max.
	Operating life with load Rating (max.) (Resistive load)	300,000 cycles 1Ω max.
Environmental performance	Cold	-40°C 500h
	Dry heat	85°C 500h
	Damp heat	60°C, 90 to 95%RH 500h

Minimum order unit	Japan	180
(pcs.)	Export	720

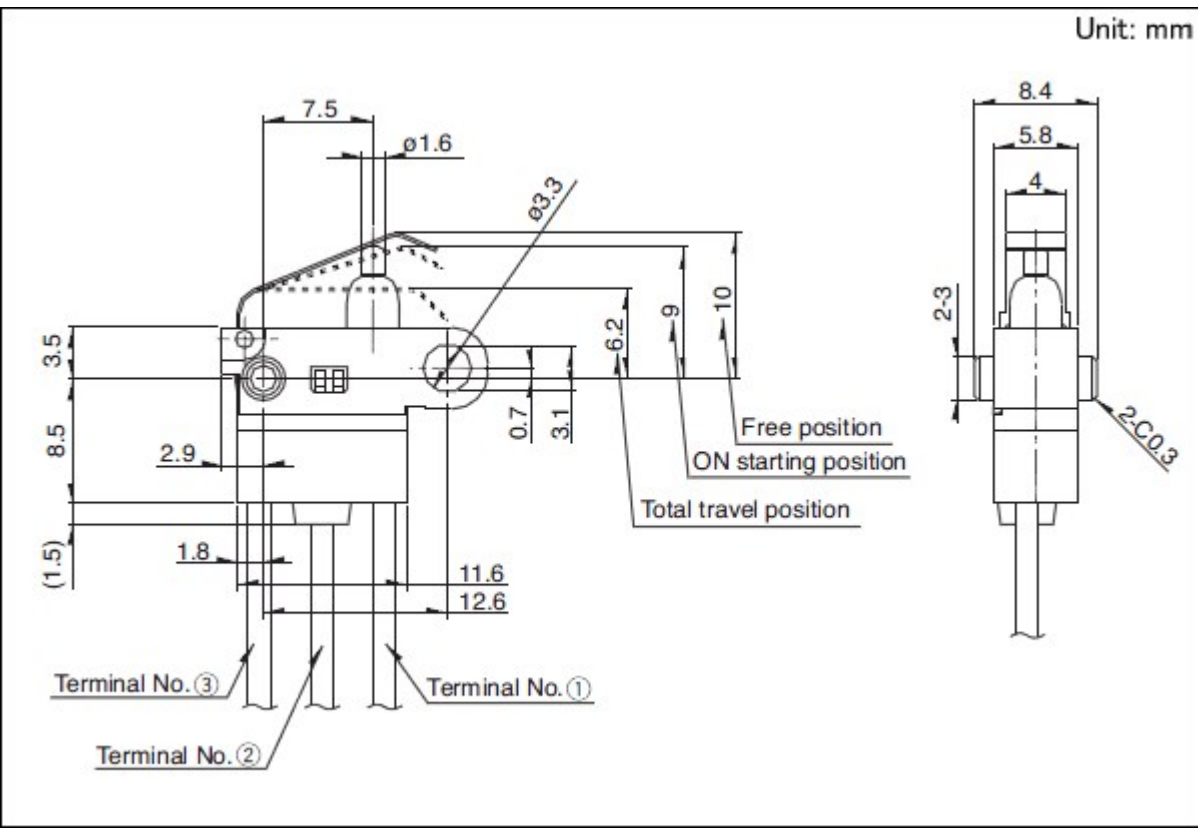
3D CAD (STEP) [↓](#)

Certificate of Compliance to RoHS regulations [↓](#)

Photo

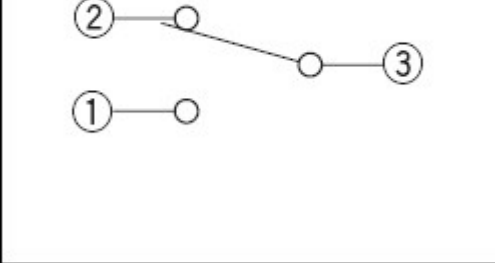


Dimensions



Circuit Diagram





Packing Specifications

Bulk

Number of packages 1 case / Japan 180
(pcs.)

1 case / export
packing 720

Export package measurements (mm) 555×375×223

Notes are common to this series/models.

1. This site catalog shows only outline specifications. When using the products, please obtain formal specifications for supply.
 2. The length of lead wire is 250mm. For length modification, please contact us.
 3. This unit cannot be used in water (IP67 rating, except for terminal).
 4. Please place purchase orders per minimum order unit (integer).
 5. This products can be used in vehicles.
- Although these products are designed to perform over a wide operating temperature range, please ensure that you receive and read the formal delivery specifications before use.

Inquiries about Products

[▶ Inquiry](#)

Mouser Electronics

Authorized Distributor

Click to View Pricing, Inventory, Delivery & Lifecycle Information:

[Alps Alpine:](#)

[SPVQ111700](#)