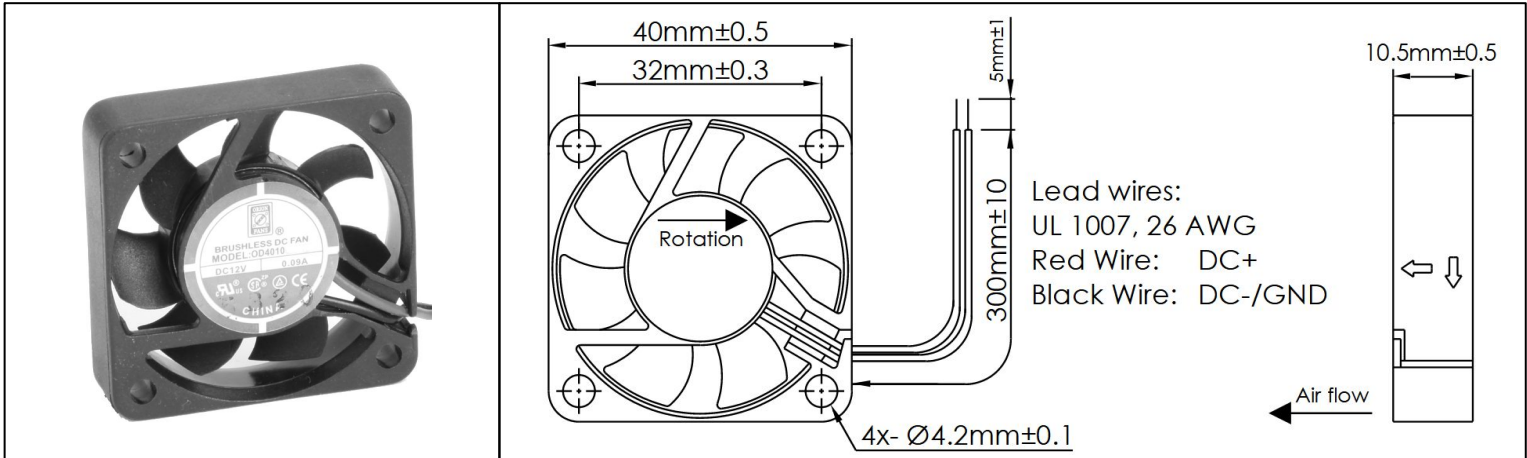


# OD4010 IP55 Series



DC Fans - 5, 12, 24V  
40mm x 10.5mm (1.6" x 0.4")



<b>Frame</b>	PBT, UL94 V-0 Plastic	<b>Operating Temperature</b> -20°C ~ +65°C  <b>Storage Temperature</b> -20°C ~ +75°C  <b>Life Expectancy</b> 70,000 Hours (L10 at 40°C)  <b>Installed Options</b> IP55 Rated Motor  Weight: 0.04 lbs.
<b>Impeller</b>	PBT, UL94 V-0 Plastic	
<b>Connection</b>	2x Lead Wires, 26 AWG	
<b>Motor</b>	Brushless DC, Auto Cutoff, Auto Restart, Electronically Protected, IP55	
<b>Bearing System</b>	Ball Bearings	
<b>Dielectric Strength</b>	500VDC/min, <1mA	
<b>Insulation Resistance</b>	≥10MΩ @ 500 VDC	

Part Number	Rated Voltage (Volts DC)	Voltage Range (Volts DC)	Input Power (Watts)(Max)	Rated Current (Amps)(Max)	Rated Speed (RPM)	Max Airflow (CFM)	Noise Level (dBA)	Max Static Pressure (\"H <sub>2</sub> O)
OD4010-05HB55	5	4.5 ~ 5.5	0.85 (0.95)	0.17 (0.19)	6000	6	32	0.10
OD4010-12HB55	12	10.8 ~ 13.2	0.84 (1.20)	0.07 (0.10)	6000	6	32	0.10
OD4010-24HB55	24	21.6 ~ 26.4	0.96 (2.16)	0.04 (0.09)	6000	6	32	0.10

# Mouser Electronics

Authorized Distributor

Click to View Pricing, Inventory, Delivery & Lifecycle Information:

[Orion Fans:](#)

[OD4010-05HB55](#)