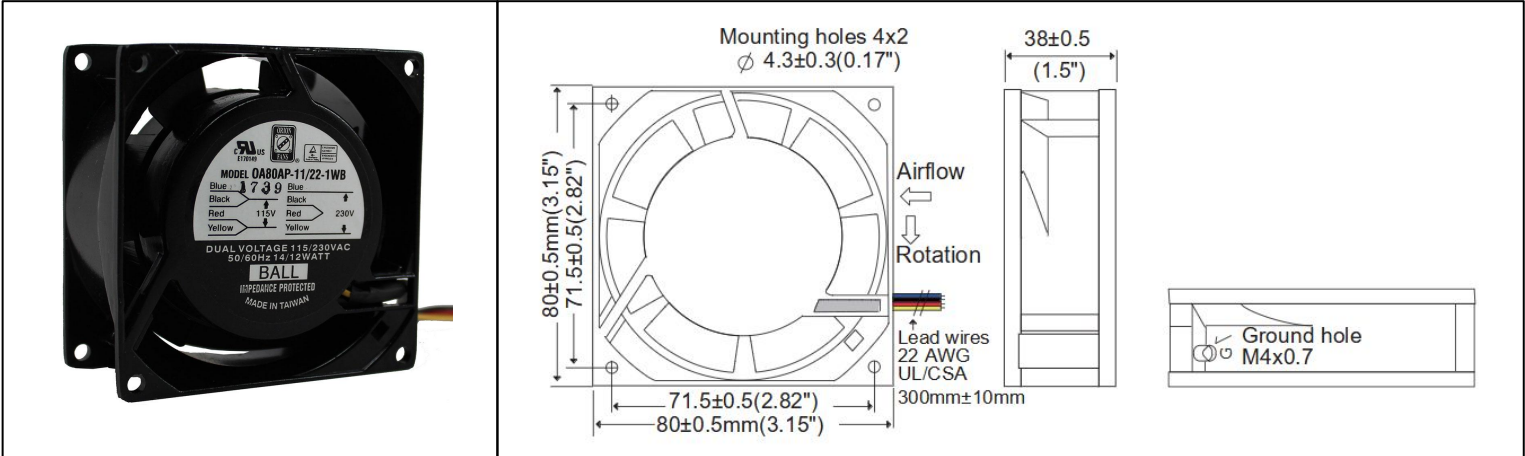


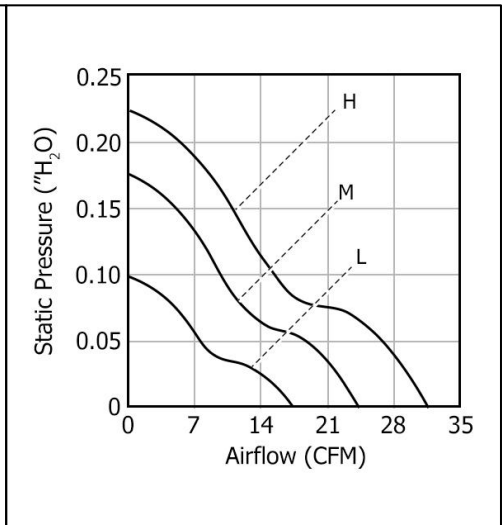
OA80AP Dual Voltage



AC Fan - 115V, 230V
80x80x38mm (3"x1.5")



Frame	Die Cast Aluminum, Black Finish	Operating Temperature -20°C ~ +70°C Storage Temperature -40°C ~ +100°C Life Expectancy 80,000 hours (L10 at 45°C) Weight: 0.82 lbs m0
Impeller	PBT, UL94 V-0 plastic	
Connection	4x Lead wires, 22 AWG	
Motor	Inner Rotor, Shaded Pole Induction, Single Phase, Impedance Protected	
Bearing System	Dual Ball Bearings	
Dielectric Strength	1500VAC/min < 1mA	
Insulation Resistance	Over 100MΩ @ 500VDC Between Leadwires and Frame	

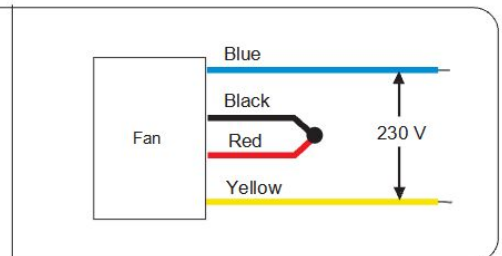
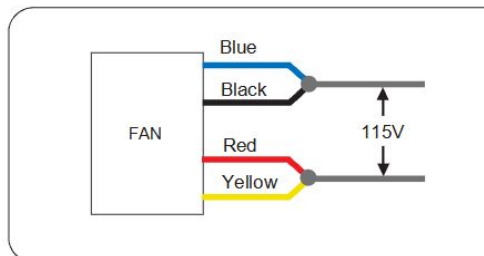


Part Number	Rated Voltage 50/60Hz	Input Power 50/60Hz	Voltage Range	Rated Speed (RPM) 50/60Hz	Airflow (CFM) 50/60Hz	Noise Level (dB) 50/60Hz	Max. Static Pressure (H ₂ O) 50/60Hz
OA80AP-11/22-1WB	115 / 230 VAC	14 / 12 W	100-120 / 200-240	2700 / 3250	26 / 31	29	0.16 / 0.22
OA80AP-11/22-2WB	115 / 230 VAC	11 / 9 W	100-120 / 200-240	2300 / 2550	22 / 24	22	0.13 / 0.17
OA80AP-11/22-3WB	115 / 230 VAC	7 / 5 W	100-120 / 200-240	1800 / 1700	18 / 17	18	0.12 / 0.10

*PQ Airflow Data specifications are for 60 Hz operation

Dual Voltage Wiring Diagram **115VAC**

Dual Voltage Wiring Diagram **230VAC**



Mouser Electronics

Authorized Distributor

Click to View Pricing, Inventory, Delivery & Lifecycle Information:

Orion Fans:

[OA80AP-11/22-1WS](#) [OA80AP-11/22-3WB](#) [OA80AP-11/22-3WS](#) [OA80AP-11/22-1WB](#) [OA80AP-11/22-2WS](#)
[OA80AP-11/22-2WB](#) [OA80AP-1/2-3WB](#) [OA80AP-1/2-2WB](#) [OA80AP-1/2-1WB](#) [OA80AP-11/22-2TB](#) [OA80AP-11/22-3TB](#)