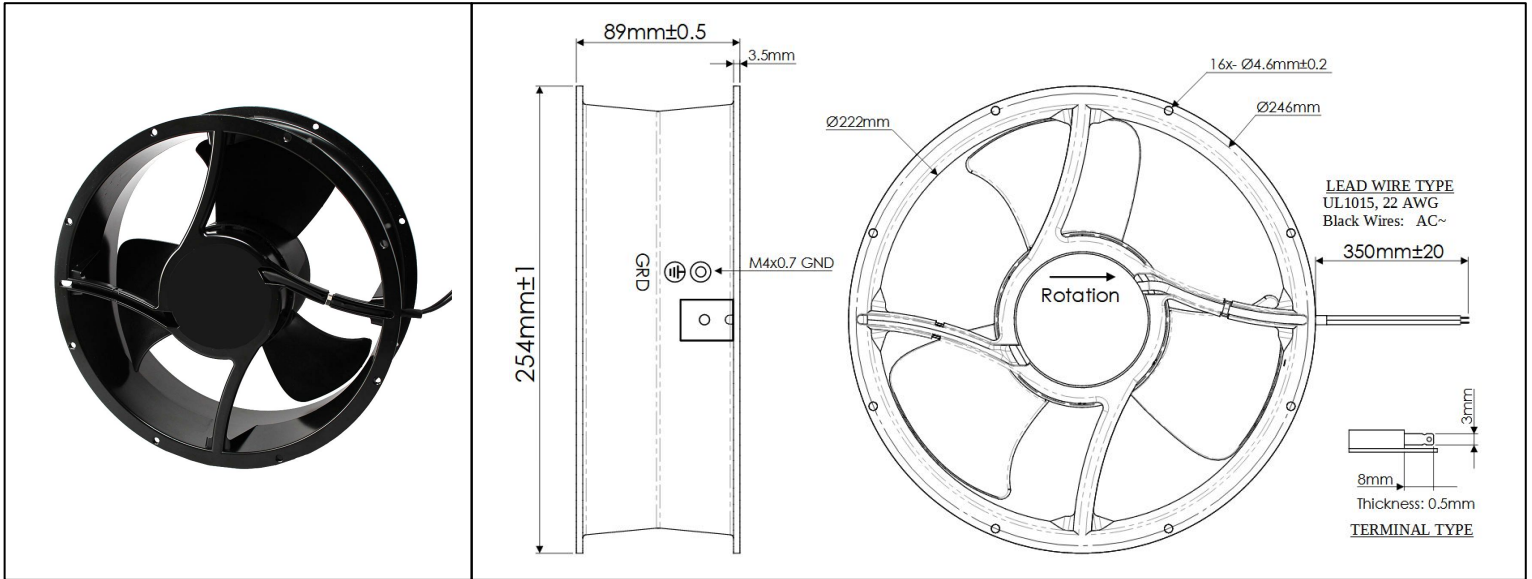


OA254EC XC Series



EC Fans - 115, 230V
254mm x 89mm (10" x 3.5")



Frame	Die Cast Aluminum, Black Finish	Operating Temperature -20°C ~ +70°C Storage Temperature -30°C ~ +75°C Life Expectancy 60,000 Hours (L10 at 40°C) Available Options Tachometer Output PWM Speed Control Input IP Ratings Weight: 4.62 lbs.
Impeller	PBT, UL94 V-0 Plastic	
Connection	2x Wire Leads, 22 AWG, or Terminals	
Motor	Brushless EC, Auto Cutoff, Auto Restart, Electronically Protected	
Bearing System	Ball Bearings	
Dielectric Strength	1500VAC/min, <1mA	
Insulation Resistance	≥10MΩ @ 500 VDC	

Part Number	Rated Voltage (Volts AC)	Frequency Range (Hertz)	Voltage Range (Volts AC)	Input Power (Watts)	Rated Current (Amps)	Rated Speed (RPM)	Max Airflow (CFM)	Noise Level (dBA)	Max Static Pressure ("H ₂ O)
OA254EC-11-1*BXC	115	50 / 60	80 ~ 130	75	1.05	2750	830	70.1	1.20
OA254EC-22-1*BXC	230	50 / 60	200 ~ 260	72	0.64	2750	830	70.1	1.20

*Substitute "W" for Wire Lead type power connection, or "T" for Terminal type connection.

Mouser Electronics

Authorized Distributor

Click to View Pricing, Inventory, Delivery & Lifecycle Information:

[Orion Fans:](#)

[OA254EC-11-1TBXC](#) [OA254EC-11-1WBXC](#) [OA254EC-22-1TBXC](#) [OA254EC-22-1WBXC](#)