



AUDIO
TECHNOLOGIES®

SPEAKERLATCH™ CABLE CONNECTOR

Specialized connector to drive passive speakers (Speaker Level Signal)



IO-SL4FC

SPECIFICATIONS

PRODUCT

Gender: **Female**

Contacts: **4**

ELECTRICAL

Capacitance between Contacts: **≤ 2.5 pF**

Contact Resistance: **≤ 3 mΩ**

Insulation Resistance: **> 1 GΩ**

Dielectric Strength: **4 kV DC**

Current Rating: **16 A RMS / 250 V AC**

ENVIRONMENTAL

Flame-retardant Grade: **UL94 V-0**

Standard Compliance: **IEC 61984**

Working Temperature: **-30°C to +80°C**

UL Listed (US): **E500108**

MECHANICAL

Lifetime: **> 1000 Mating Cycles**

Wiresize: **12 AWG (2.75mm) Max O.D.**

Wiring: **Screw Terminals**

Cable OD: **3.0mm - 10.0mm**

Solderability: **Complies with IEC
60068-2-20**

MATERIAL

Contacts: **Copper Alloy**

Contact Plating: **Silver**

Shell: **Reinforced Plastic (PA66+30%GF)**

Shell Finish: **Black**

Strain Relief: **POM**

Locking Element: **Zinc Alloy**

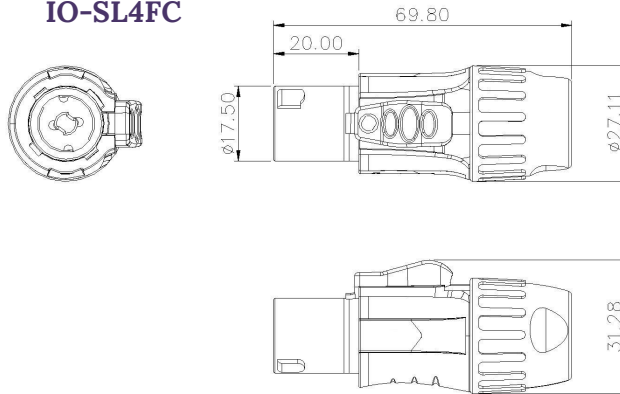
Product specifications may change without prior notification

Io Audio Technologies® is a registered trademark of Knight Electronics, Inc.
10557 Metric Dr. Dallas, TX 75243 | 214-340-0265 | 800-323-2439 | Fax: 214-340-5870 |
www.ioaudiotechnologies.com



DRAWING

IO-SL4FC



FEATURES & APPLICATIONS

Speakerlatch™ connectors provide the safest connection for driving passive speakers. They feature a reinforced plastic shell with 4 silver plated contacts designed to withstand the abuse of stage productions. They also feature a plastic insert which clamps onto the cable to provide strain relief. The “twist-to-lock” motion makes each connection extremely robust and prevents accidental disconnection while protecting the user at all times from unintentional shocks and conductor damage. Additionally, these connectors are specifically keyed to prevent dangerous interconnection mistakes. All of this protection fits in a standard footprint to simplify installation.

With a current rating of 16A @ 250V AC, Speakerlatch™ connectors are a perfect solution for applications where a high capacity connection is needed and safety must be maintained at all times. The sturdy, locking plastic connectors offer durability that will ensure years of reliable service without interruption or fatigue, even in harsh environments. The screw terminals allow the ability to install or remove them in the field, which means that installers and integrators can customize their use and get the job done. Speakerlatch™ connectors are compatible with current industry standard speaker receptacles and equipment, making it a safe investment.

PART NUMBER BREAKDOWN:

IO-**SL**4FC
Series Identifier
IO-**SL****4**FC
Number of Contacts
IO-**SL**4**F**C
Gender
IO-**SL**4**F****C**
Cable Connector

STANDARDS & CLASSIFICATIONS



Product specifications may change without prior notification

Mouser Electronics

Authorized Distributor

Click to View Pricing, Inventory, Delivery & Lifecycle Information:

[Io Audio:](#)

[IO-SL4FC](#)