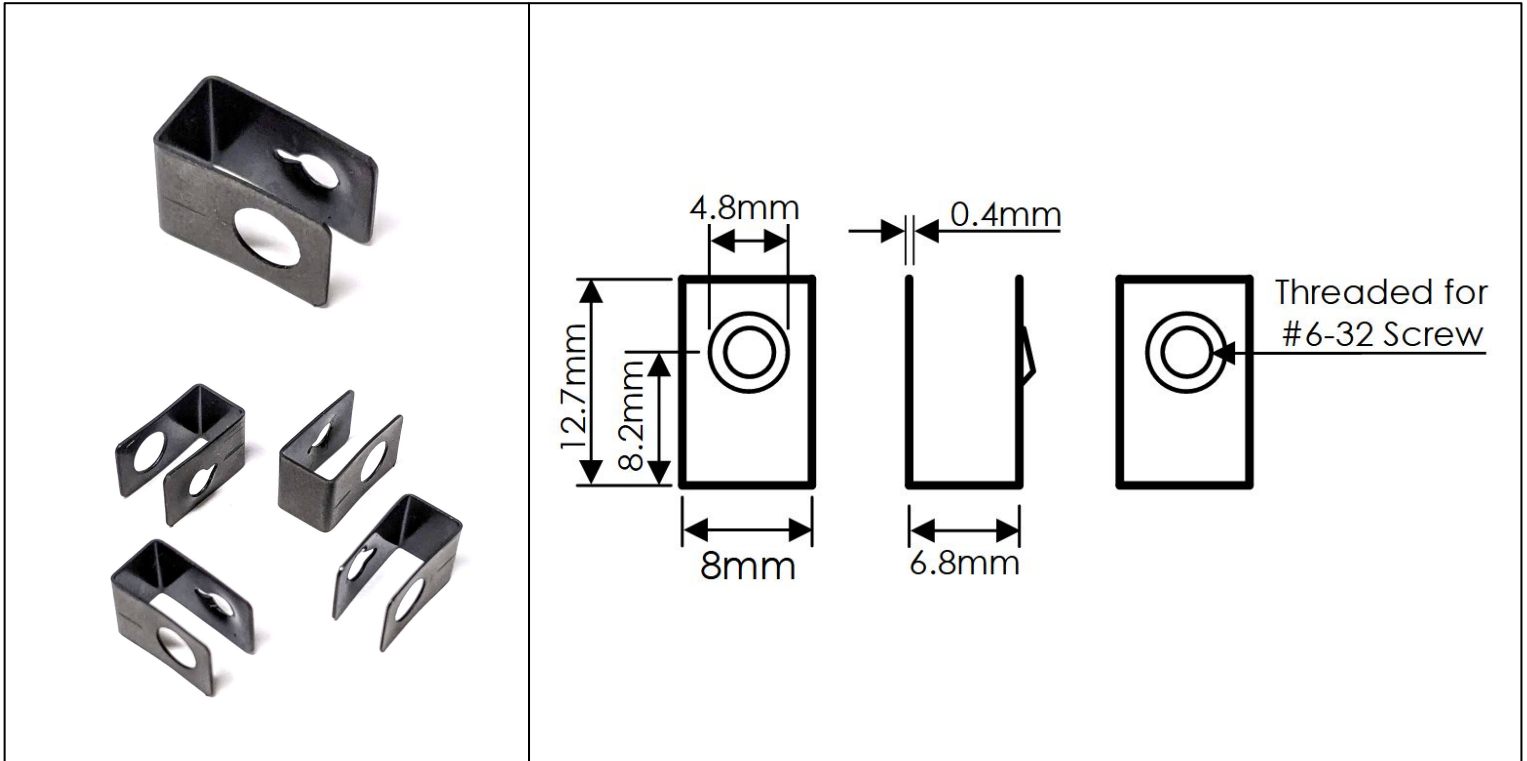




FANCLIP-4MM

Fan Mounting Clip for Fans with 4MM Class Holes



Model Number	FANCLIP-4MM-100 (100 PCS BULK PACK) FANCLIP-4MM-250 (250 PCS BULK PACK) FANCLIP-4MM-1000 (1000 PCS BULK PACK)
Compatibility	For use with Flange type fan frames. Not compatible with Ribbed fan frames.
Material	SK-5 Steel, 0.4mm Thickness, Black Finish with Rust Inhibitor
Screw Compatibility	#6-32 UNC, Not Included
Maximum Torque	6 in/lbs.
Fan Hole Size Range	∅4.0 - 4.5mm
Fan Flange Thickness Range	3mm - 6mm

Mouser Electronics

Authorized Distributor

Click to View Pricing, Inventory, Delivery & Lifecycle Information:

[Orion Fans:](#)

[FANCLIP-4MM-1000](#) [FANCLIP-4MM-250](#) [FANCLIP-4MM-100](#)