

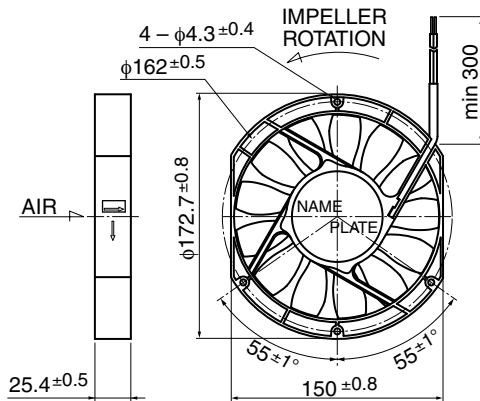
15025PA (5910PL)

DC Axial Fan

150X^Φ172X25^L



Outline



General Specifications

Motor Protection Auto Restart / Polarity Protection

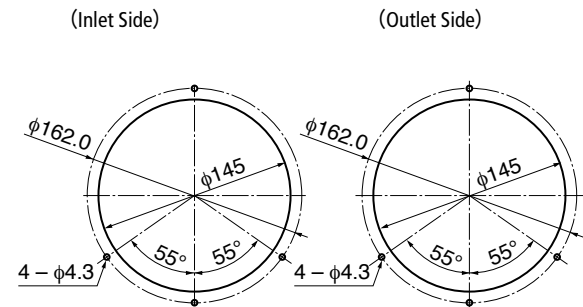
Insulation Resistance 10MΩ or over with a DC500V Megger
Dielectric Withstand Voltage : AC700V 1s

Allowable Ambient : -10°C ~ +70°C (Operating)
Temperature Range : -40°C ~ +70°C (Storage)
non-condensing environment

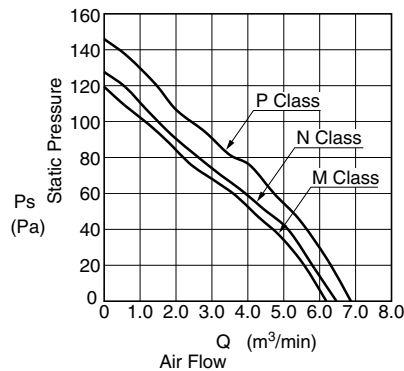
Expected Life ※ Failure Rate: 10% (L10 Life)

25°C 100,000 (Hours)

Panel Out-cuts



Characteristic Curves



Material

Casing : Aluminum (Black Painting)
Impeller : Plastic (Black) UL94V-0
Bearing : Ball Bearing
Lead Wire : UL10368 AWG24 + : Red, - : Black

Specifications

Model	Product Number	Rating Voltage (V)	Operating Voltage (V)	Current (A)*1	Input Power (W)*1	Speed (min-1)*1	Max Air Flow (m ³ /min)*1	Max Static Pressure (Pa)	Noise (dB)*1	Mass (g)
15025PA-24L-AA-	00	24	18.0 ~ 26.4	0.65	15.60	3150	6.0	125	59.0	500
15025PA-24M-AA-	00	24	18.0 ~ 26.4	0.85	20.4	3350	6.5	60.5		
15025PA-24N-AA-	00	24	18.0 ~ 26.4	0.95	22.8	3500	6.7	61.5		
15025PA-24P-AA-	00	24	18.0 ~ 26.4	1.20	28.8	3750	7.0	64.0		
15025PA-48M-AA-	00	48	38.0 ~ 52.8	0.42	20.16	3350	6.5	60.5		
15025PA-48N-AA-	00	48	38.0 ~ 52.8	0.45	21.60	3500	6.7	61.5		
15025PA-48P-AA-	00	48	38.0 ~ 52.8	0.59	28.32	3750	7.0	64.0		

Rotation: Counterclockwise as seen from the label side
Airflow Outlet: Label side

*1: Average Values in Free Air

Mouser Electronics

Authorized Distributor

Click to View Pricing, Inventory, Delivery & Lifecycle Information:

[MinebeaMitsumi:](#)

[15025PA-24L-AL-00](#) [15025PA-48J-AL-00](#) [15025PA-48Q-AT-00](#) [15025PA-24K-AT-00](#) [15025PA-24P-AT-00](#)
[15025PA-48K-AL-00](#) [15025PA-24Q-AL-00](#) [15025PA-48K-AT-00](#) [15025PA-48L-AT-00](#) [15025PA-48P-AL-00](#)
[15025PA-24M-AL-00](#) [15025PA-48N-AL-00](#) [15025PA-48L-AL-00](#) [15025PA-48P-AT-00](#) [15025PA-24P-AL-00](#)
[15025PA-24K-AL-00](#) [15025PA-24N-AL-00](#)