

03828DA (1511FB)

38[□]X28^L

DC Axial Fan



General Specifications

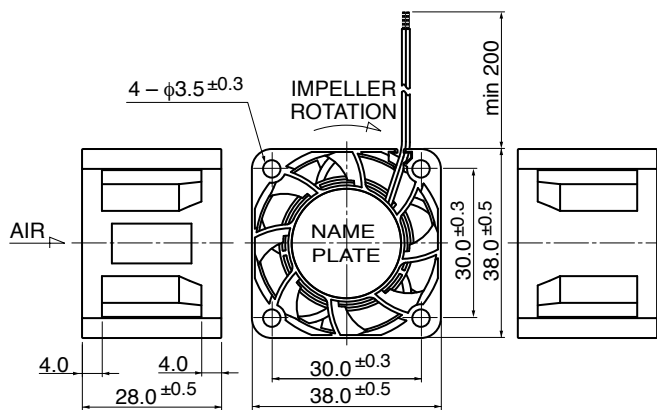
- Motor Protection : Auto Restart / Polarity Protection
- Insulation Resistance : 10MΩ or over with a DC500V Megger
- Dielectric Withstand Voltage : AC700V 1s
- Allowable Ambient : - 10°C ~ + 70°C (Operating)
- Temperature Range : - 40°C ~ + 70°C (Storage)
- non-condensing environment

Expected Life

※ Failure Rate: 10% (L10 Life)

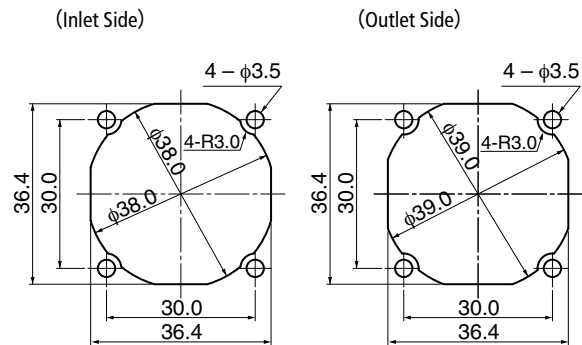
40°C 70,000 (Hours)

Outline

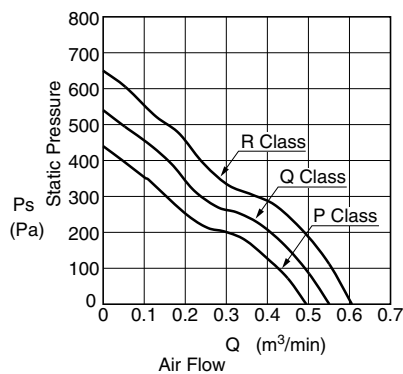


* Outline is A (Rib) type.

Panel Out-cuts



Characteristic Curves



Material

- Casing : Plastic (Black) UL94V-0
- Impeller : Plastic (Black) UL94V-0
- Bearing : Ball Bearing
- Lead Wire : UL10368 AWG26 + : Red, - : Black

Variable speed type is also available.
Please inquire regarding the other requirements.

Specifications

□ = Casing Form --- A: Rib Type, E: Flange Type

Model	Product No.	Rating Voltage	Operating Voltage	Current	Input Power	Speed	Max. Air Flow		Max. Static Pressure		Noise	Mass
		(V)	(V)	(A)*1	(W)*1	(min ⁻¹)*1	(m ³ /min)*1	(CFM)*1	(Pa)*1	(In H ₂ O)*1	(dB)*1	(g)
03828DA-12P-□A-	00	12	7.0 ~ 13.2	0.37	4.44	18000	0.50	17.5	440.0	1.77	52.0	47
03828DA-12Q-□A-	00			0.49	5.88	20000	0.55	19.5	540.0	2.17	55.0	
03828DA-12R-□A-	00			0.63	7.56	22000	0.61	21.4	650.0	2.61	58.0	

Rotation: Clockwise as seen from the label side
Airflow Outlet: Label side

*1: Average Values in Free Air

Mouser Electronics

Authorized Distributor

Click to View Pricing, Inventory, Delivery & Lifecycle Information:

[MinebeaMitsumi:](#)

[03828DA-12R-AT-00](#) [03828DA-12R-AA-00](#) [03828DA-12R-AL-00](#)