



# CRJKS0009 External GPS Antenna

## External GPS Antenna



Airgain's CRJKS0009 patch antenna series are ceramic antennas specially designed for all GPS applications. This ceramic patch antenna has excellent stability and sensitivity through high-performance proprietary ceramic materials and processes.

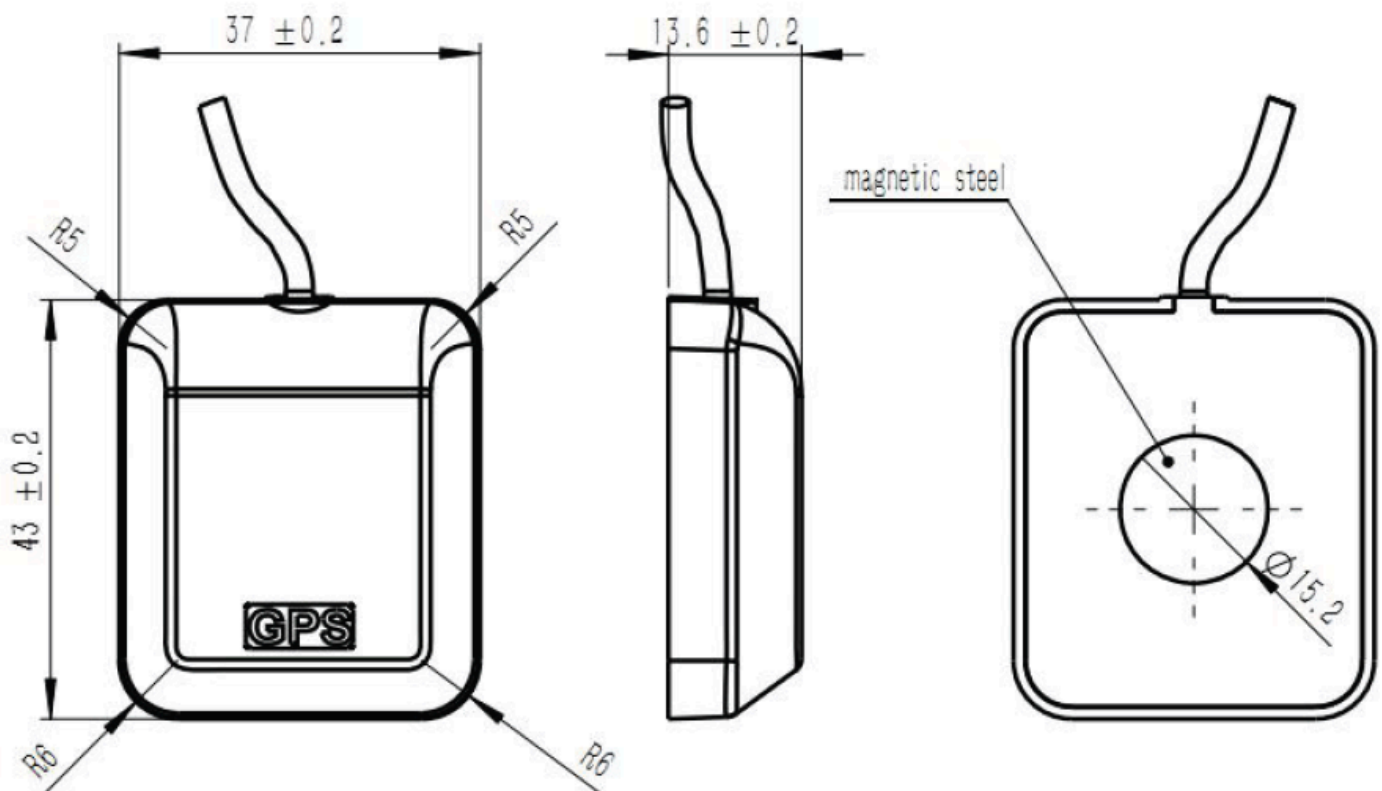
- ROHS Compliant

### CONFIGURATION

CRJKS0009-LNA-LM5X3000SMA

GPS (1559 MHz to 1610 MHz), Ceramic Patch Antenna, SMA Connector

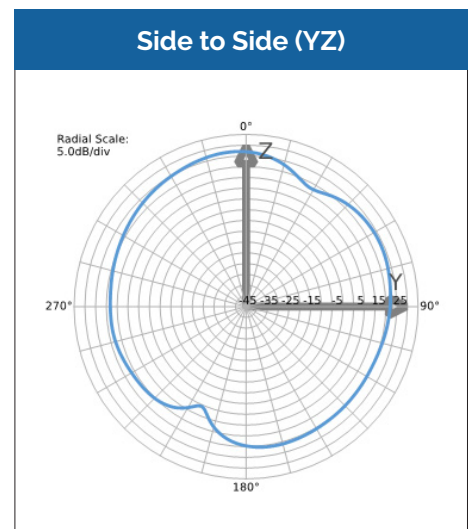
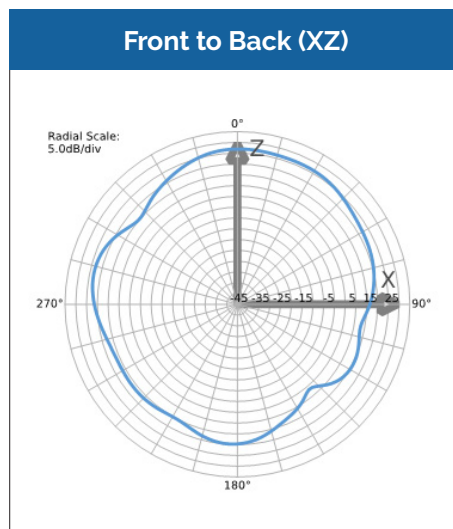
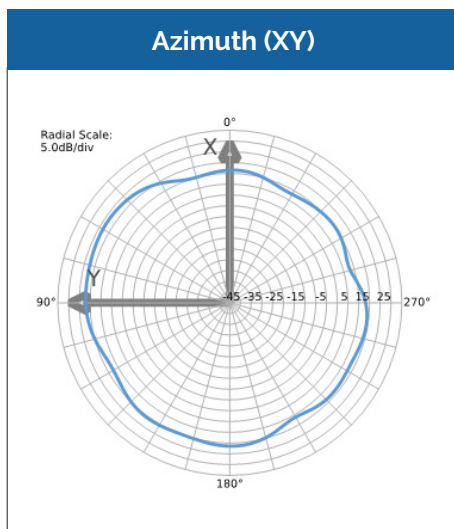
### DIMENSIONS



**SPECIFICATIONS AND INTERFACE**

Outline Dimensions	43 mm x 37 mm x 13.5 mm
Frequency Region	1559 MHz to 1610 MHz
Polarization	Right-Hand Circular Polarization
Axial Ratio	6 dB @ 1575 MHz
LNA Input Voltage	1.8 - 5 VDC
LNA Current Draw	4.5 mA (typ.)
LNA Noise Figure	< 1.2
LNA Gain	22 dB ± 0.5 dB
LNA P1dB	-8 dBm
Total Antenna Gain	23 dB ± 1 dB
Temperature Range	-45, +85

**RADIATION PATTERNS**



# Mouser Electronics

Authorized Distributor

Click to View Pricing, Inventory, Delivery & Lifecycle Information:

[Airgain:](#)

[CRJKS0009-LNA-LM5X3000SMA](#)