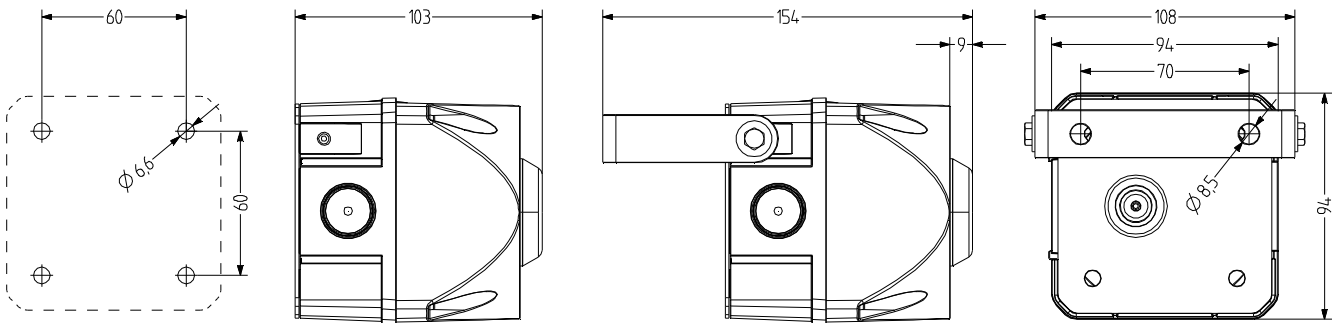


ADS-T Multi-tone alarm sounder with LED light indicator

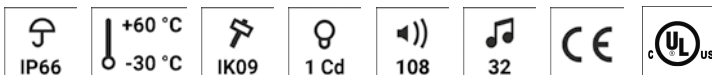
- 94 mm cubic-design multi-tone alarm sounder with built-in LED steady/flashing light indicator
- Types of light can be switched externally
- For industrial and general applications
- UV-stabilised material
- 32 tones can be selected, 3 tones can be switched externally
- Max. 108 dB (A) sound pressure, infinitely adjustable
- High degree of protection IP 66 & impact resistance IK09
- Optional mounting type using metal bracket



TECHNICAL DATA

Housing	94 mm (square), Polycarbonate red
Lens	Polycarbonate, ribbed inside orange, red, clear, blue, green or yellow
Type of mounting	any, Sound outlet opening at bottom or horizontal
Connection technology	Screw/plug-in terminal up to 2,5 mm ²
Beacon type	Steady beacon or Flashing beacon
Luminous intensity	1 Cd
Tone	32 Tones, 3 Tones can be switched externally, various (see tone table)

Volume	108 dB (can be adjusted with potentiometer)
Tone frequency	150-2.900 Hz
Duty cycle	100 %
Service life	Light source: 100.000 h
Operating temperature	-30 °C / +60 °C
Degree of protection	IP66
Impact resistance	IK09
Weight	310 g



ADS-T

ORDER DATA

Lens colour	Nominal voltage	Voltage range (V)	Nominal current (A)	Order number
orange	24 V AC/DC	+/- 10 %	0,240	875 171 405
	110-240 V AC	95-265	0,070	875 171 313
red	24 V AC/DC	+/- 10 %	0,240	875 172 405
	110-240 V AC	95-265	0,070	875 172 313
yellow	24 V AC/DC	+/- 10 %	0,240	875 177 405
	110-240 V AC	95-265	0,070	875 177 313
clear	24 V AC/DC	+/- 10 %	0,240	875 174 405
	110-240 V AC	95-265	0,070	875 174 313
green	24 V AC/DC	+/- 10 %	0,240	875 176 405
	110-240 V AC	95-265	0,070	875 176 313
blue	24 V AC/DC	+/- 10 %	0,240	875 175 405
	110-240 V AC	95-265	0,070	875 175 313



AMK



AB1



AG1



AKV



AW1

ACCESSORIES

Type	Type of accessory	Weight	Order number
AMK	Mounting set for combining several pieces of signalling equipment of the same size	10 g	874 010 900
AB1	Mounting set for metal bracket for mounting in any direction (e.g. on mounting platforms)		874 031 900
AG1	Flat seal for correct IP66 installation on smooth surfaces		874 021 900
AKV	Cable gland M20×1,5t		698 800 026
AW1	Stainless steel bracket		874 041 900

-tone Table

See page 274



Mouser Electronics

Authorized Distributor

Click to View Pricing, Inventory, Delivery & Lifecycle Information:

[Auer Signal:](#)

[875172313](#) [875177313](#)