

VBUS OVP with a PTVS Diode

General Description

The RT9746 is an over-voltage protection devices feature a low 35mΩ (typ) RON internal FET with PTVS diode. The PTVS also protects the devices from surges up to 100V. When the input voltage exceeds the over-voltage threshold, the internal FET is turned off to prevent damage to the protected down stream components.

The internal Over-Voltage Thresholds (OVP) are preset to 6.8V typical. The RT9746 also feature an over-current protection and up to 4.5A.

The RT9746 is offered in a small WL-CSP-12B (BSC) package provides small PCB area applications.

Ordering Information

- RT9746 □ □
- Package Type
WSC : WL-CSP-12B 1.92x1.27
 - OVP Threshold Option
Default : 6.8V
A : 11.5V
B : 14.5V
C : 6.2V

Note :

Richtek products are :

- ▶ RoHS compliant and compatible with the current requirements of IPC/JEDEC J-STD-020.
- ▶ Suitable for use in SnPb or Pb-free soldering processes.

Features

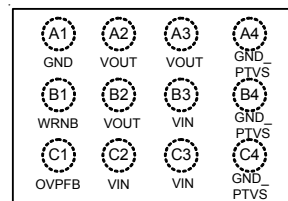
- PTVS Diode Embedded for VBUS Surge Protection
- Warning Indicator for OVP or UVP
- 28V Maximum Rating for DC Adapter
- Integrated Over-Voltage and Over-Current Protection FET on VBUS for Fault Isolation

Applications

- Cellular Phone
- Smart Handheld Device

Pin Configuration

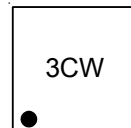
(TOP VIEW)



WL-CSP-12B 1.92x1.27 (BSC)

Marking Information

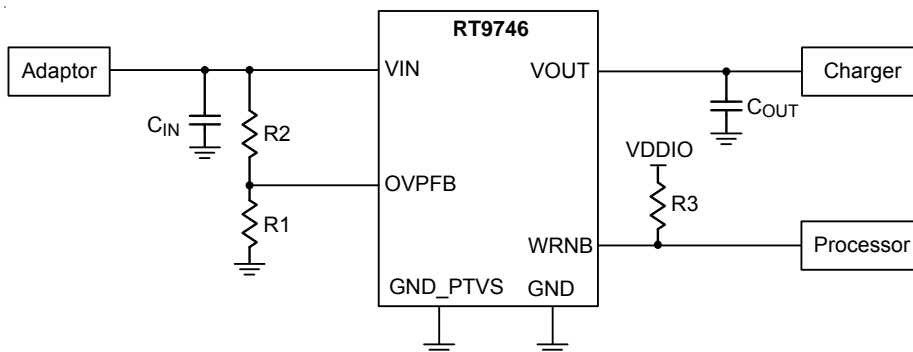
RT9746WSC



3C : Product Code

W : Date Code

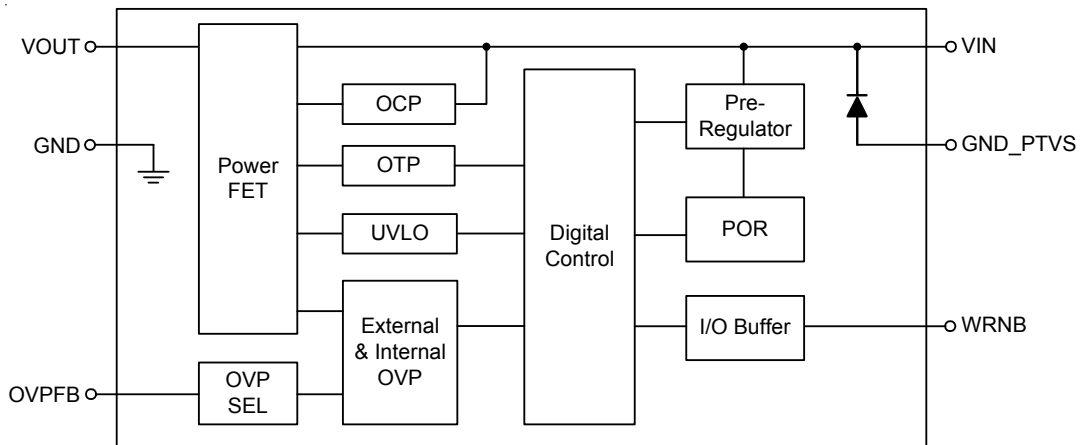
Simplified Application Circuit



Functional Pin Description

Pin No	Pin Name	Pin Function
A1	GND	Common ground of internal circuits.
A2, A3, B2	VOUT	Output from VBUS load-switch.
B1	WRNB	Inverse warning signal (OCP,OTP, OVP, UVLO) flag output (open-drain).
A4, B4, C4	GND_PTVS	Common ground of power TVS diode.
B3, C2, C3	VIN	VBUS from power adapter.
C1	OVPFB	External OVP adjustment setting. (if no used, be surely tied to GND)

Functional Block Diagram



Operation

The RT9746 is a VBUS OVP protector switch. The OVP function is optimized to protect low voltage system from abnormal high input voltage (up to 28V) in handheld application. RT9746 is also embedded Power-TVS diode (PTVS) on VBUS pin for surge protection. If surge waveform is above 30V, it will be clamped to 30V due to PTVS diode. When plugging in VBUS, the OCP will be soft-start in 8ms in order to reduce in rush current and internal VOUT deglitch time is 16/32/64/128ms which is set by fuse. The OCP after soft-start is up to 4.5A for high current application.

Absolute Maximum Ratings (Note 1)

- VIN, OVPFB ----- -0.3V to 28V
- VOUT ----- -0.3V to 22V
- <10μs ----- -0.3V to 30V
- System Level with Air Discharger, VIN, GND ----- ±15kV
- System Level with Contact Discharger, VIN, GND ----- ±8kV
- All Other Inputs ----- -0.3V to 6V
- Power Dissipation, P_D @ T_A = 25°C
- WL-CSP-12B 1.92x1.27 (BSC) ----- 1.67W
- Package Thermal Resistance (Note 2)
- WL-CSP-12B 1.92x1.27 (BSC), θ_{JA} ----- 59.6°C/W
- Junction Temperature ----- 150°C
- Lead Temperature (Soldering, 10 sec.) ----- 260°C
- Storage Temperature Range ----- -65°C to 150°C
- ESD Susceptibility (Note 3)
- HBM (Human Body Model) ----- 2kV
- MM (Machine Model) ----- 200V
- CDM (Charged Device Model) ----- 2kV
- Surge (VIN) ----- 100V

Recommended Operating Conditions (Note 4)

- Supply Input Voltage, VIN ----- 3V to 20V
- I/O Supply Voltage (V_{DDIO}) ----- 1.8V to 3.6V
- VOUT Capacitors ----- 1μF to 10μF
- Junction Temperature Range ----- -40°C to 125°C
- Ambient Temperature Range ----- -40°C to 85°C

Electrical Characteristics

(V_{IN} = 5V, T_A = 25°C, unless otherwise specified)

Parameter	Symbol	Test Conditions	Min	TYP	Max	Unit	
DC Characteristics							
Input Clamp Voltage	V _{IN_CLAMP}	I _{IN} = 10mA, T _A = 25°C	--	31	--	V	
VIN Supply Current	I _{VBUS_S}	V _{BUS} = 5V, I _{OUT} = 0mA	--	130	180	μA	
VIN POR Threshold Only for VOUT	V _{POR}	Rising	2.5	2.7	2.9	V	
VBUS POR Hysteresis Only for VOUT	V _{POR_Hys}	Falling	--	100	--	mV	
Deglintch Time of POR Only for VOUT	t _{POR}	by EFUSE setting (16/32/64/128ms)	--	32	--	ms	
OVP Threshold Voltage	V _{OVP}	Rising	RT9746	6.6	6.8	7	V
			RT9746A	11.15	11.5	11.85	
			RT9746B	14	14.5	15	
			RT9746C	6	6.2	6.4	

Parameter	Symbol	Test Conditions	Min	TYP	Max	Unit
OVP Hysteresis	V _{OVP_HYS}	Falling	--	150	--	mV
OVP Propagation Delay to Turn Off VBUSOUT	t _{OVP_PD}	V _{BUS} = 5V to 10V, (6V/μs)	--	0.18	0.25	μs
OVP Recover Delay	t _{OVP_RD}	V _{BUS} = 10V to 5V	--	8	--	ms
OCP Threshold Current	I _{OCP}		--	4.5	5	A
OCP Blanking Time	t _{OCP_B}		--	180	--	μs
OCP Recover delay	t _{OCP_RD}		--	64	--	ms
OTP Threshold to turn off only for VBUS_OUT	T _{OTP_FET}	Rising (Note5)	--	160	--	°C
OTP Threshold Hysteresis only for VBUS_OUT	T _{OTP_FET_HYS}	Falling (Note5)	--	20	--	°C
OTP Recover Delay	t _{OTD_RD}		--	8	--	ms
OCP Soft-Start Time	t _{SS}		--	8	--	ms
FET On Resistance	R _{ON_FET}	I _{BUS_OUT} = 1000mA, V _{BUS} = 5V T _A = 25°C	--	35	42	mΩ
External OVP Set Threshold	V _{REF_EXT}		--	1.2	--	V
External OVP Adjustment Range	V _{OVP_EXT}		4	--	20	V
External OVP Select Threshold (Rising)	V _{OVP_SEL}		--	0.3	--	V
External OVP Select Threshold Hysteresis			--	100	--	mV
WRNB Open-Drain Impedance		V _{BUS} = 5V	--	--	15	Ω

Note 1. Stresses beyond those listed under “Absolute Maximum Ratings” may cause permanent damage to the device. These are stress ratings only, and functional operation of the device at these or any other conditions beyond those indicated in the operational sections of the specifications is not implied. Exposure to absolute maximum rating conditions may affect device reliability.

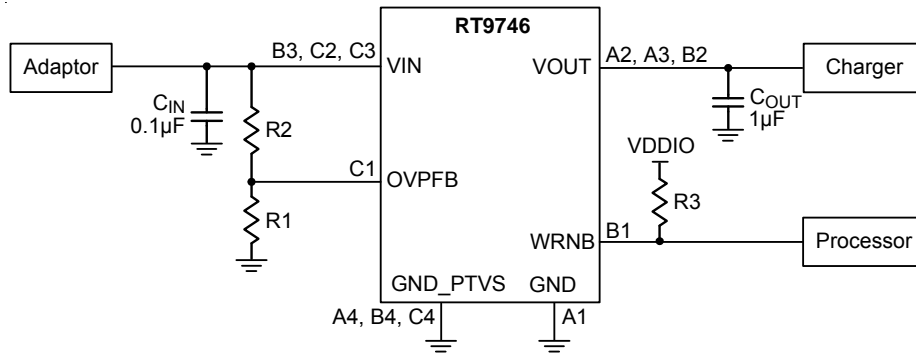
Note 2. θ_{JA} is measured at T_A = 25°C on a high effective thermal conductivity four-layer test board per JEDEC 51-7.

Note 3. Devices are ESD sensitive. Handling precaution is recommended.

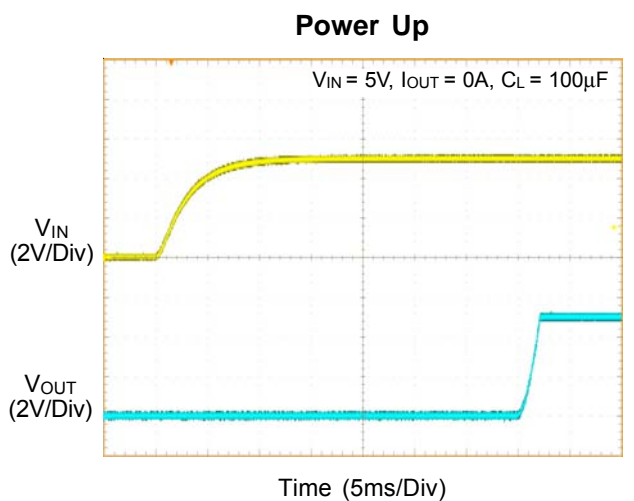
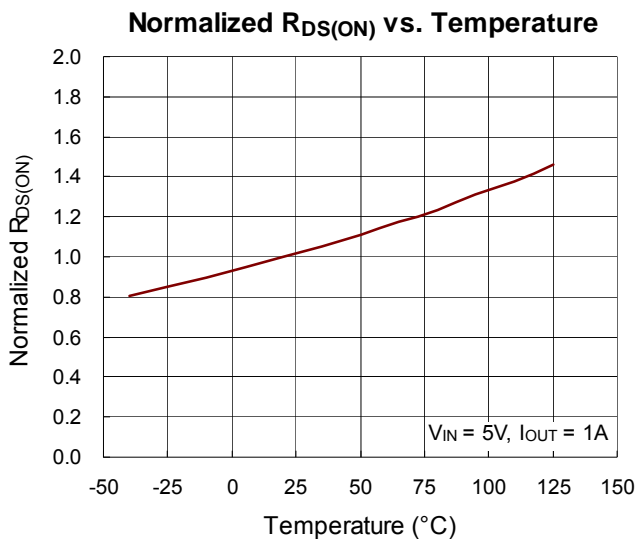
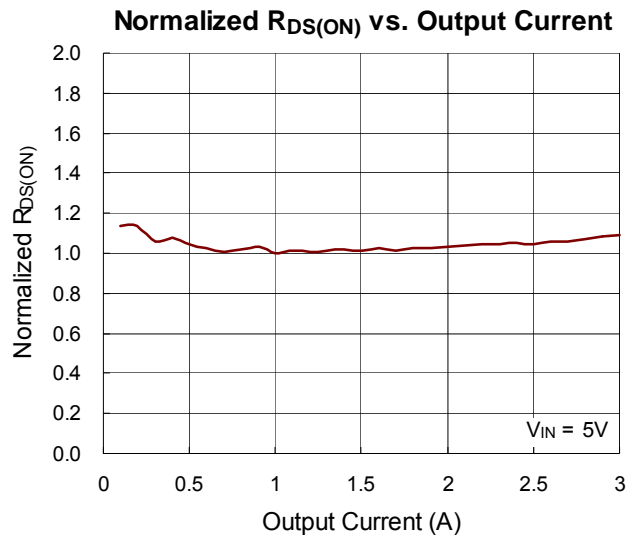
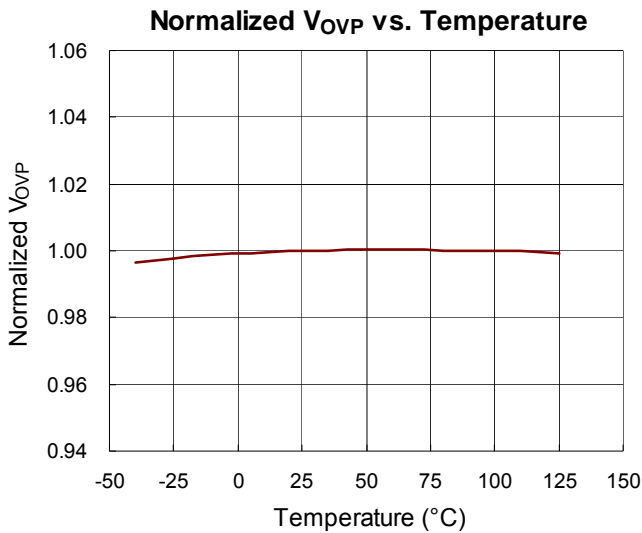
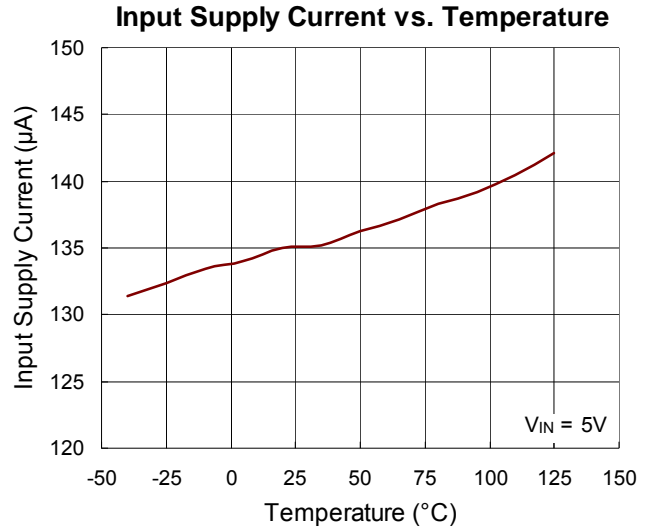
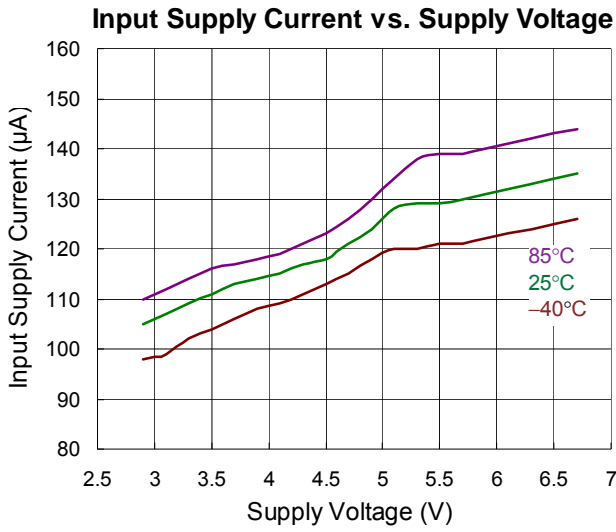
Note 4. The device is not guaranteed to function outside its operating conditions.

Note 5. Guaranteed by design.

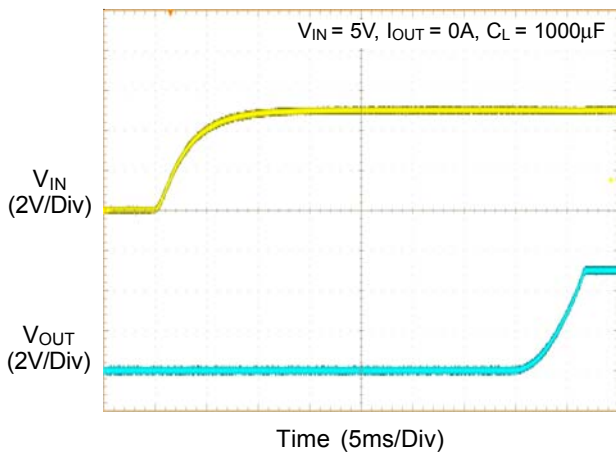
Typical Application Circuit



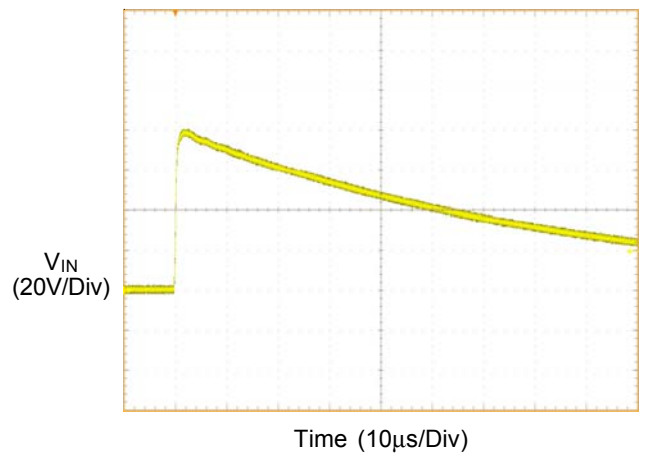
Typical Operating Characteristics



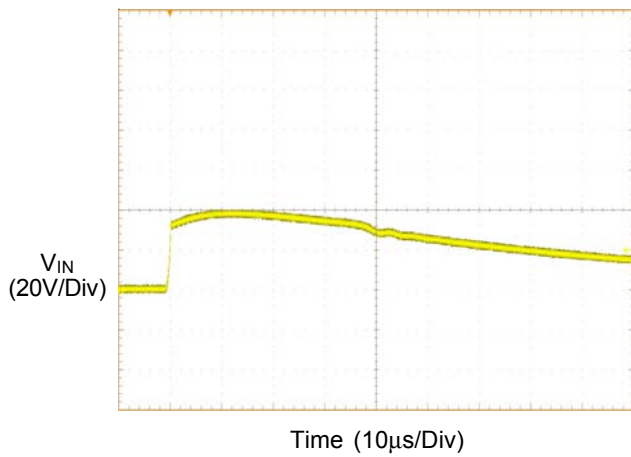
Power Up



80V Surge without RT9746



80V Surge with RT9746



Application Information

Power Up

The RT9746 has a threshold of 2.7V power on reset (POR) with a built-in hysteresis of 100mV. Before the input voltage reaches the POR threshold, the RT9746 is off. When the input voltage is over the POR threshold, the VOUT of RT9746 will delay for 32ms which includes soft-start time of 8ms. The 32ms delay allows the transient at the input during a hot insertion of the power supply to settle down before the IC starts to operate. During the soft-start transition, the RT9746 slowly turns on the internal MOSFET to reduce the inrush current.

Over-Temperature Protection (OTP)

The RT9746 monitors its internal temperature to prevent thermal failures. The chip turns off the MOSFET when the junction temperature reaches 160°C. The IC will resume after the junction temperature is cooled down 20°C.

Input Over-Voltage Protection

The RT9746 provides input over-voltage protection via internal or external resistor to set OVP level. If OVPFB is connected to GND, the RT9746 uses the internal OVP level setting. If an external resistor-divider is connected to OVPFB and V_{OVPFB} exceeds the VOVP_SEL voltage, the RT9746 will adopt external OVP level setting. The OVP level VOVP is set as below.

$$V_{OVP} = V_{REF_EXT} \times \left(1 + \frac{R2}{R1} \right)$$

When the input voltage exceeds the OVP level, the RT9746 will turn off internal MOSFET around 0.18μs to prevent the high input voltage from damaging the end system. When the input voltage returns to normal operation voltage range with hysteresis (internal 150mV, external 100mV), the RT9746 will turn on the MOSFET to re-enable output.

Over-Current Protection (OCP)

The RT9746 monitors the output current to prevent the output short or the charging of the battery with an excessive current. The RT9746 has a built-in 180μs delay time to prevent any transient noise triggering the OCP. If the OCP

situation keeps for 180μs, the internal MOSFET will be turned off.

Thermal Considerations

For continuous operation, do not exceed absolute maximum junction temperature. The maximum power dissipation depends on the thermal resistance of the IC package, PCB layout, rate of surrounding airflow, and difference between junction and ambient temperature. The maximum power dissipation can be calculated by the following formula :

$$P_{D(MAX)} = (T_{J(MAX)} - T_A) / \theta_{JA}$$

where $T_{J(MAX)}$ is the maximum junction temperature, T_A is the ambient temperature, and θ_{JA} is the junction to ambient thermal resistance.

For recommended operating condition specifications, the maximum junction temperature is 125°C. The junction to ambient thermal resistance, θ_{JA} , is layout dependent. For WL-CSP-12B 1.92x1.27 (BSC) package, the thermal resistance, θ_{JA} , is 59.6°C/W on a standard JEDEC 51-7 four-layer thermal test board. The maximum power dissipation at $T_A = 25^\circ\text{C}$ can be calculated by the following formula :

$$P_{D(MAX)} = (125^\circ\text{C} - 25^\circ\text{C}) / (59.6^\circ\text{C}/\text{W}) = 1.67\text{W for WL-CSP-12B 1.92x1.27 (BSC) package}$$

The maximum power dissipation depends on the operating ambient temperature for fixed $T_{J(MAX)}$ and thermal resistance, θ_{JA} . The derating curve in Figure 1 allows the designer to see the effect of rising ambient temperature on the maximum power dissipation.

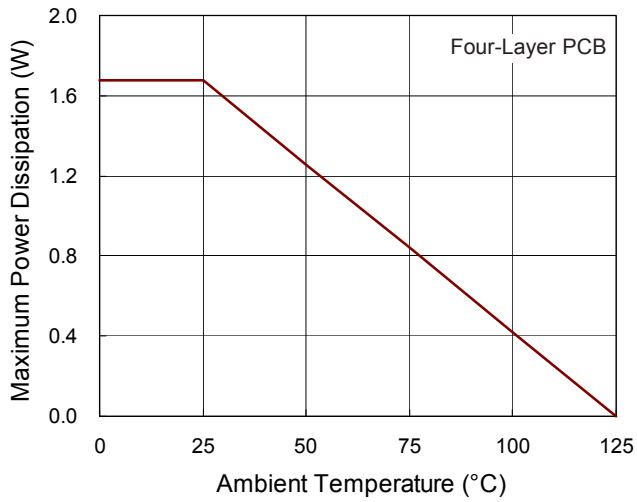
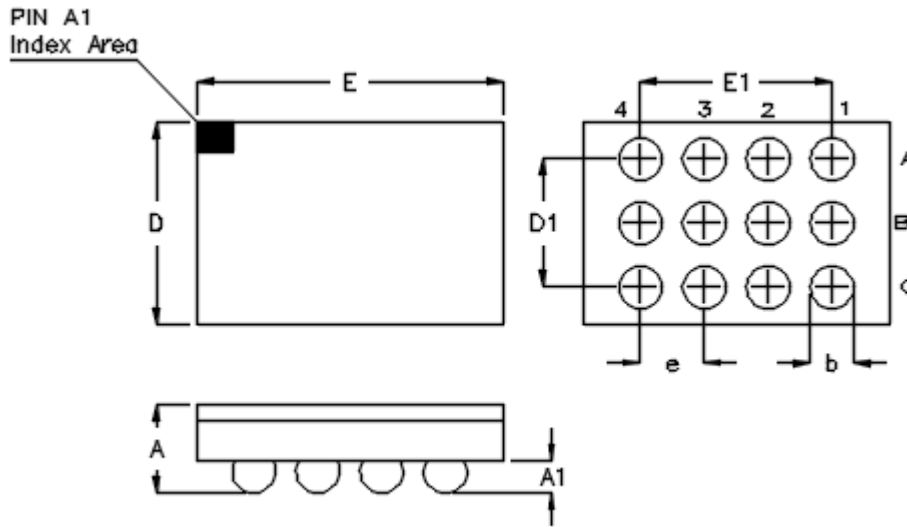


Figure 1. Derating Curve of Maximum Power Dissipation

Outline Dimension



Symbol	Dimensions In Millimeters		Dimensions In Inches	
	Min.	Max.	Min.	Max.
A	0.500	0.600	0.020	0.024
A1	0.170	0.230	0.007	0.009
b	0.240	0.300	0.009	0.012
D	1.220	1.320	0.048	0.052
D1	0.800		0.031	
E	1.870	1.970	0.074	0.078
E1	1.200		0.047	
e	0.400		0.016	

WL-CSP-12B 1.92x1.27 (BSC)

Richtek Technology Corporation

14F, No. 8, Tai Yuen 1st Street, Chupei City
 Hsinchu, Taiwan, R.O.C.
 Tel: (8863)5526789

Richtek products are sold by description only. Richtek reserves the right to change the circuitry and/or specifications without notice at any time. Customers should obtain the latest relevant information and data sheets before placing orders and should verify that such information is current and complete. Richtek cannot assume responsibility for use of any circuitry other than circuitry entirely embodied in a Richtek product. Information furnished by Richtek is believed to be accurate and reliable. However, no responsibility is assumed by Richtek or its subsidiaries for its use; nor for any infringements of patents or other rights of third parties which may result from its use. No license is granted by implication or otherwise under any patent or patent rights of Richtek or its subsidiaries.

Mouser Electronics

Authorized Distributor

Click to View Pricing, Inventory, Delivery & Lifecycle Information:

[Richtek:](#)

[RT9746WSC](#)