



A Tallysman Accutenna® TW2600A Active Magnet Mount Iridium® Antenna

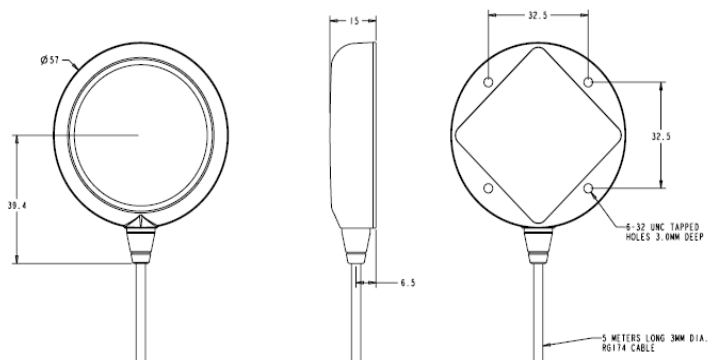
The TW2600A employs Tallysman's unique *Accutenna* technology in a magnet mount, active right hand circularly polarized antenna for the **reception** of all of the Iridium signals: 1615 to 1626.5 MHz frequency band. It is designed to receive the Iridium signal ONLY (ie not transmit). This antenna is uniquely designed for indoor timing applications relying upon Iridium's PNT signal.

The TW2600A features a high performance dual-feed patch element that provides great axial ratio (4.5dB max, <2dB @ zenith, typical) over the antenna's bandwidth, thus signals at the band edges remain truly circular, unlike the response of single feed antennas.

The TW2600A is housed in a compact, industrial-grade weather-proof, magnet mount enclosure, with threaded base holes for screw down attachment.



TW2600A Dimensions (mm)



Applications

- Iridium™ PNT applications
- Timing (indoor and outdoor)
- Fleet Management & Asset Tracking
- Marine & Avionics Systems
- Law Enforcement & Public Safety

Features

- Custom high gain, 4.5dBic dual-feed patch
- Great axial ratio, <2dB over full bandwidth
- 15 KV ESD circuit protection
- IP67 weather proof housing
- Robust Industrial grade enclosure
- Magnet or screw mount

Benefits

- Excellent circular polarized signal transmission
- Industrial temperature range
- Rugged Design
- Ideal for harsh environments
- RoHS, REACH, and RED compliant



TW2600A Active Magnet Mount Iridium® Antenna

Specifications Vcc = 3V, over full bandwidth, T=25°C

Antenna

Architecture	Dual, quadrature feeds
Antenna Gain (dBic, 100mm ground plane)	4.5
Axial Ratio (over full bandwidth)	≤2 dB

Electrical

Frequency Bandwidth	1615 to 1626.5 MHz
Polarization	RHCP
LNA Gain	26dB (min)
Input voltage	2.5-12VDC
Current	19mA
Cross Polarization Rejection	typically 20dB
VSWR (at antenna)	<1.5:1 typ
ESD Circuit protection	15 KV air discharge
Noise Figure	1dB typical

Mechanicals & Environmental

Mechanical Size	57 mm dia. x 15 mm H
Cable	RG174
Operating Temp. Range	-40 to +85 °C
Enclosure	Radome: EXL9330, Base: Zamak white metal
Weight	160 g
Attachment Method	Magnet or permanent (pre-tapped 4 x 6-32UNC)
Environmental	IP67 and RoHS compliant
Shock	Vertical axis: 50 G, other axes: 30 G
Vibration	3 axis, sweep = 15 min, 10 to 200 Hz sweep: 3 G

Ordering Information

TW2600A – Active Iridium™ Antenna, 33-2600A-xx-yyyy
Where xx = connector type and yyyy = cable length in mm

Please refer to the Ordering Guide (<http://www.tallysman.com/wp-content/uploads/Current-Ordering-Guide.pdf>) for the current and complete list of available connectors.

Tallysman Wireless Inc

36 Steacie Drive
Ottawa ON K2K 2A9 Canada
Tel +1 613 591 3131 Fax 613 591 3121 sales@tallysman.com

The information provided herein is intended as a guide only and is subject to change without notice. This document is not to be regarded as a guarantee of performance. Tallysman Wireless Inc. hereby disclaims any or all warranties and liabilities of any kind. © 2018 Tallysman Wireless Inc. All rights reserved. Rev 1.1

Mouser Electronics

Authorized Distributor

Click to View Pricing, Inventory, Delivery & Lifecycle Information:

[Calian:](#)

[33-2600A-07](#)